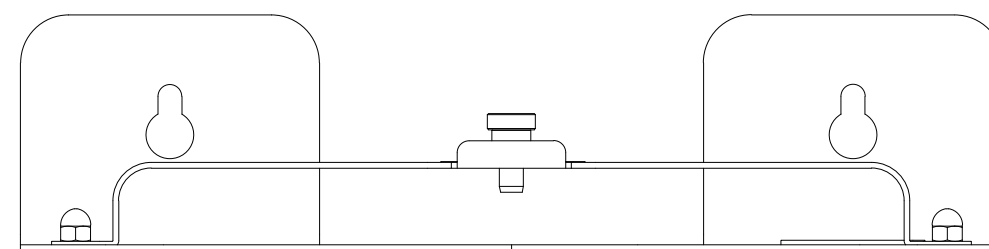
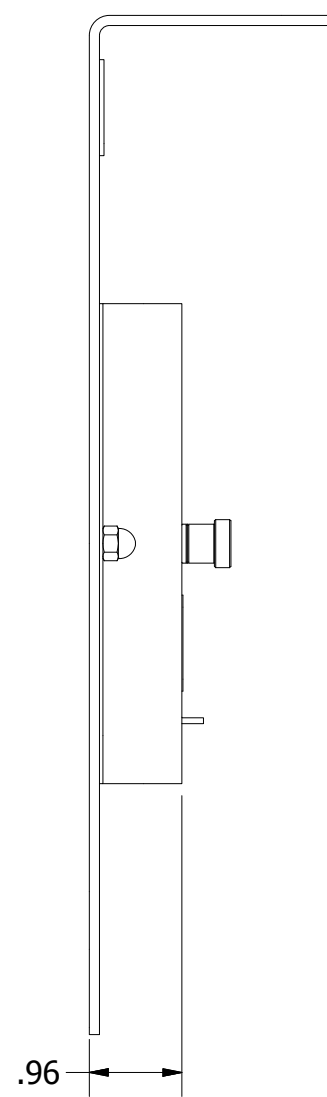
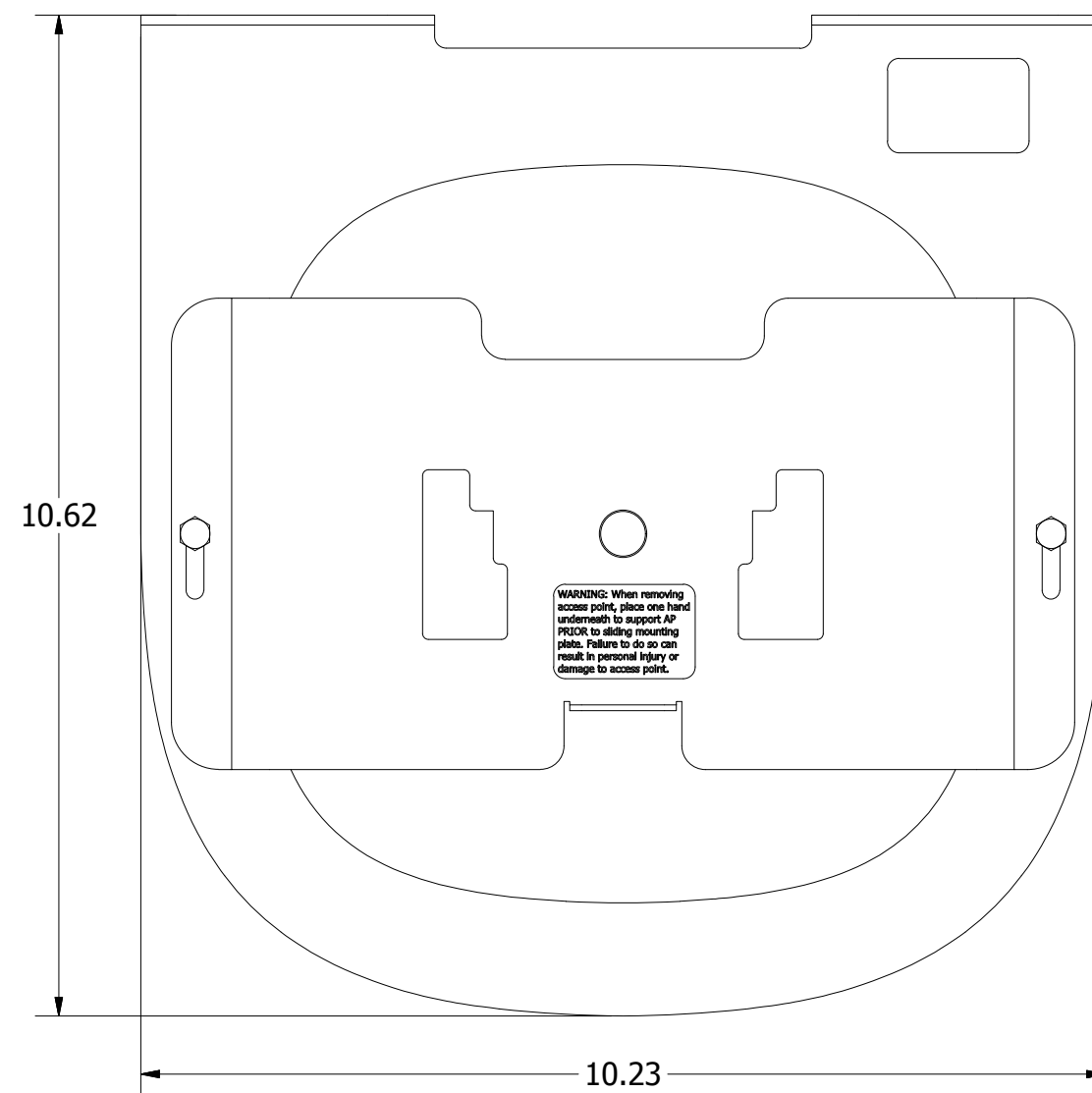
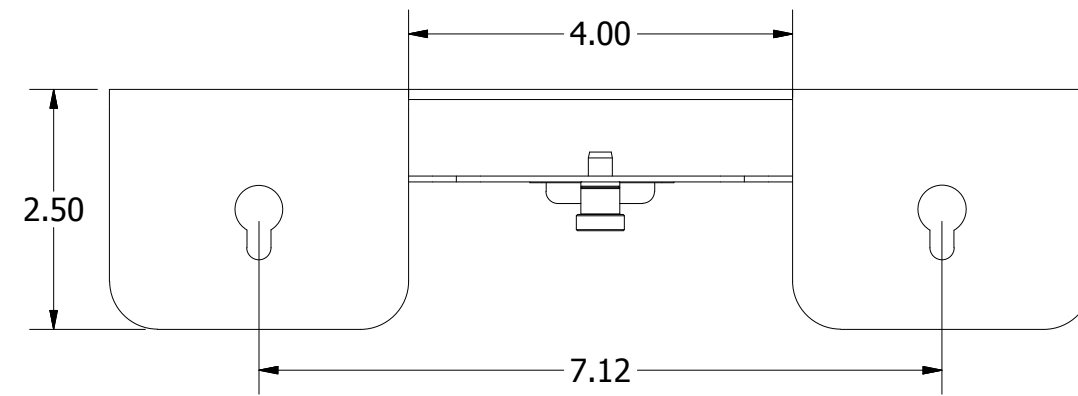


REVISION HISTORY				
ZONE	REV	DESCRIPTION	DATE	APPROVED
All	1	Released	05/24/2016	RLC



ORDERING INFORMATION:

MANUFACTURER/MODEL:

OBERON ENCLOSURE MODEL:

Cisco 2600/2700/3500/3700
 Cisco 2800/3800
 Cisco HLA
 Aruba Networks AP225
 Aruba Networks AP325
 Extreme Networks 3925

Model 1006-CCOAP
 Model 1006-CCOAP3800
 Model 1006-HLA
 Model 1006-AP225
 Model 1006-AP325
 Model 1006-EX3900

NOTES:

- Weight: 6 lbs.
- Material: 10 Gauge Steel Base White Powder Coat
 16 Gauge Steel Mounting Bracket White Powder Coat

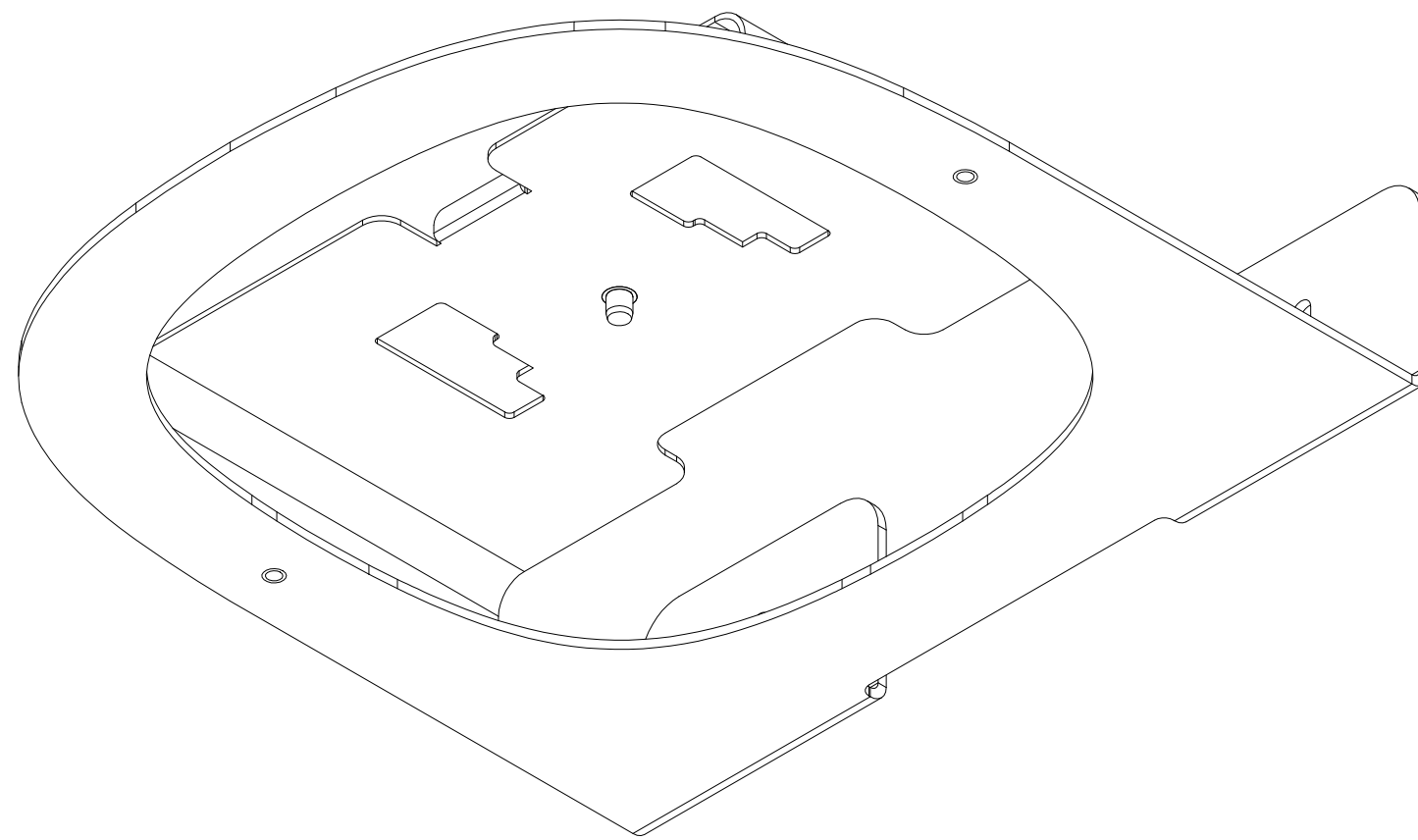
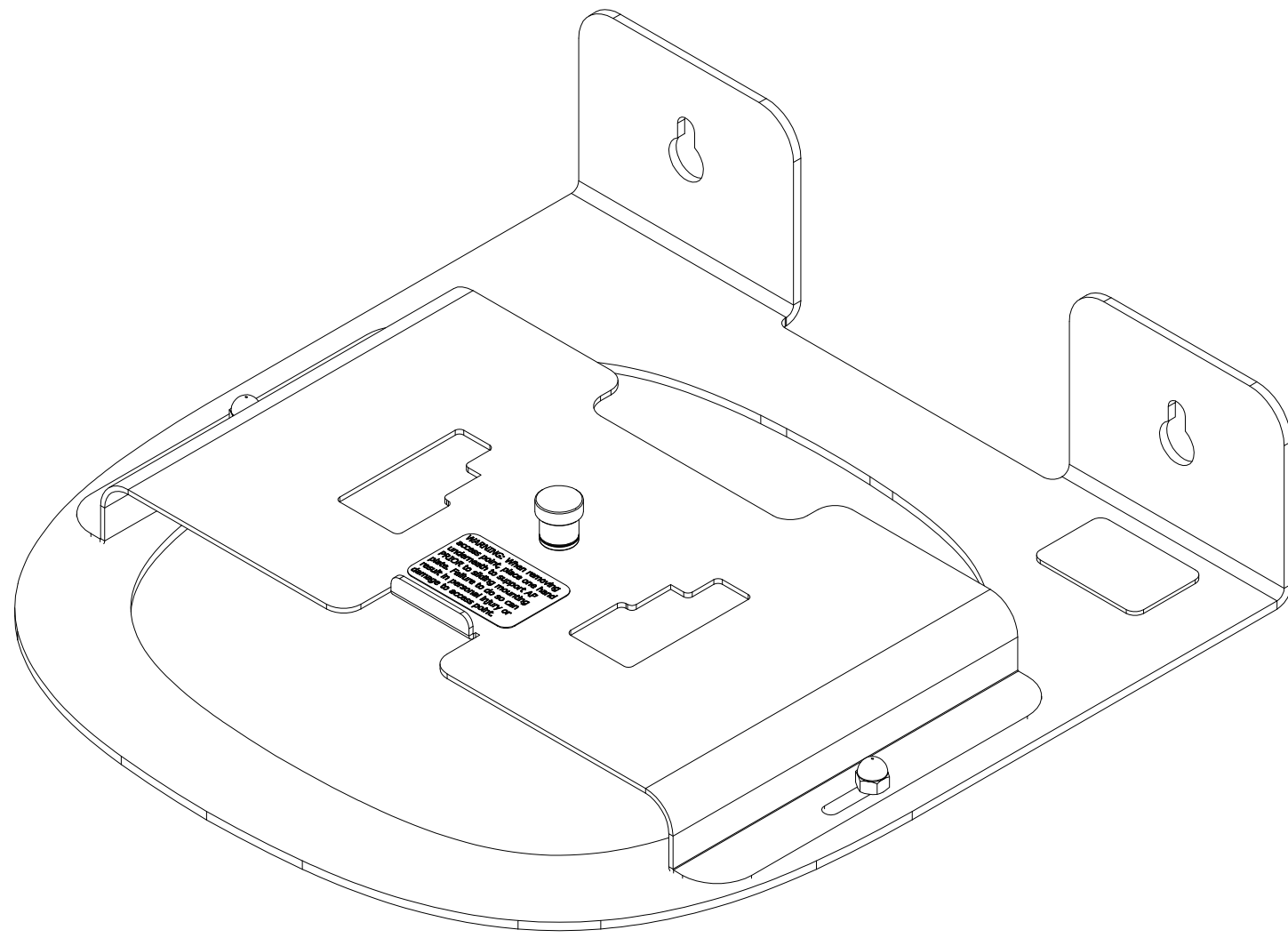
Includes:

- Installation Hardware for Access Point
- Hardware for wall attachment supplied by customer

DRAWN RLC	5/24/2016	Oberon, Inc. - 1315 S. Allen St. - State College, PA 16801		
CHECKED RLC	5/24/2016	TITLE		
QA		Model 1006-AP325		
MFG RLC	5/24/2016	SIZE C	DWG NO 2635	REV 1
APPROVED RLC	5/24/2016	SCALE	SHEET 1 OF 2	
TOLERANCE:	.0 = +/- .030 .00 = +/- .015 .000 = +/- .005			

NOTE: All materials used in the construction of Oberon products must be RoHS compliant and meet RoHS2 Directive 2011/65/EU. Contact Oberon engineering if RoHS compliant materials are not available.

ISOMETRIC VIEWS



DRAWN RLC	5/24/2016	Oberon, Inc. - 1315 S. Allen St. - State College, PA 16801		
CHECKED RLC	5/24/2016	TITLE		
QA		Model 1006-AP325		
MFG RLC	5/24/2016	SIZE C	DWG NO 2635	REV 1
APPROVED RLC	5/24/2016	SCALE	SHEET 2 OF 2	
TOLERANCE:	.0 = +/- .030 .00 = +/- .015 .000 = +/- .005			