

Installation Instructions

Model Number 1006-AP325

Assembly Components:

- Right angle wall mount – 1 each
- Access point mounting bracket – 1 each
- Acorn nuts - 2 each
- Snap caps- 2 each
- Installation Instructions – 1 each

If any of these items are missing, contact your Oberon representative.

Step 1 - Determine the location where the AP325 access point will be installed. Ideally, the location should be in an area where the mounted access point will be free of obstructions and high up on the wall.

Step 2 - If feasible, an Ethernet wall outlet should be pre-installed where the Oberon Model 1006-AP325 right angle wall mount and AP325 access point will be placed. This will allow for the most aesthetic installation, free of distracting cables. If a wall plate cannot be installed due to the wall construction, alternatively, a race way can be installed to bring the Ethernet cable to the mounting location.

Step 3 - Install the Oberon right angle wall mount to the wall using 1/4" mounting screws. The type of screw selected should be based on the construction of the wall surface (customer supplied). Due to the weight of this unit, plastic expansion wall anchors are not adequate for drywall installations. During installation, Oberon recommends that one of the following be used: 1) threaded drywall anchors; 2) threaded drywall toggles; 3) sleeve type hollow wall anchors (a.k.a. molly bolts); or 4) toggle bolts.

The Oberon right angle wall mount should ideally be placed so that the open area of the wall mount is located directly over top of the wall plate (Ref. figure 1). Use the supplied snap caps for a decorative finish.

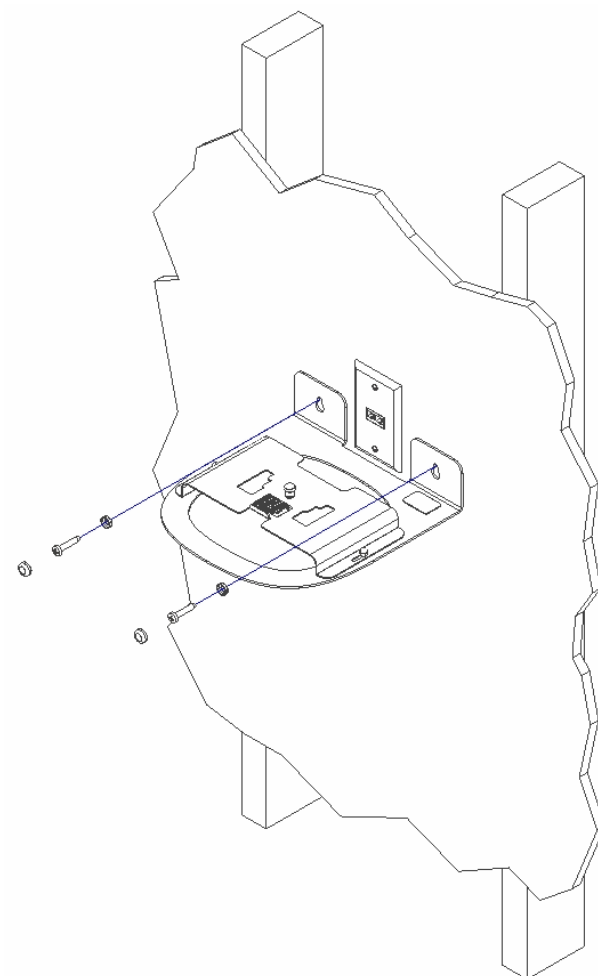


Figure 1

⚠IMPORTANT**** - It is important that the right angle mount is securely fastened to the wall to prevent human injury or damage to the access point.

Step 4- Loosen the acorn nuts one to two turns so the mounting plate moves freely. Push the mounting plate towards the wall (do not completely remove acorn nuts).

Step 5- After the mounting plate has been pushed towards the wall, use one hand to lift the AP325 access point into the opening with the Ethernet connectors facing towards the wall (Ref figure 2).

Step 5 – While gently pushing the access point against the mounting plate, slide the mounting plate away from the wall until the plunger falls into place, locking the access point (Ref figure 3).

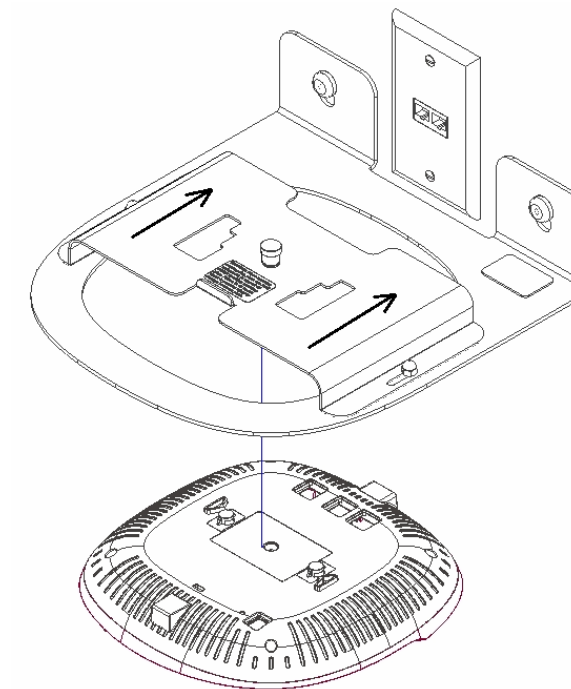


Figure 2

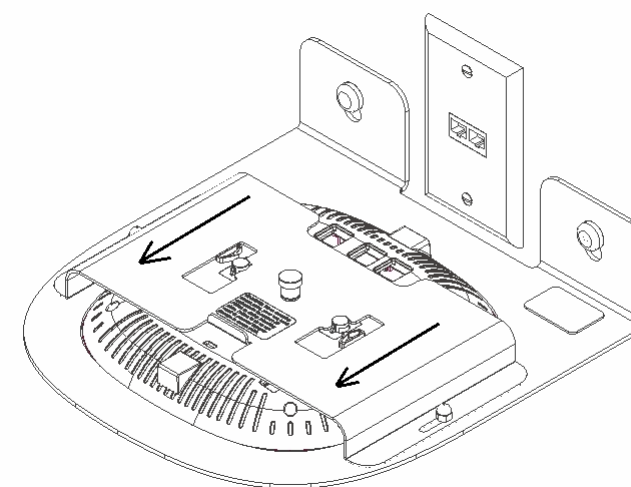


Figure 3

Step 6- After the access point has been locked into place, tighten the acorn nuts until tight

Step 7 - Determine the required length Ethernet jumper (the jumper should be as short as possible to minimize the amount of cable visible after installation)

Step 8 – Attach one end of the Ethernet cable to the AP325 access point, and the opposite end to the wall plate.

