

Installation Instructions

Model Number 1006-CCOAP3800

Assembly Components:

- Right angle wall mount – 1 each
- Access point mounting bracket – 1 each
- Snap caps- 2 each
- Installation Instructions – 1 each

If any of these items are missing, contact your Oberon representative.

Step 1 - Determine the location where the *Cisco access point* will be installed. Ideally, the location should be in an area where the mounted access point will be free of obstructions and high up on the wall.

Step 2 - If feasible, an Ethernet wall outlet should be pre-installed where the *Oberon Model 1006-CCOAP3800 right angle wall mount* and *Cisco access point* will be placed. This will allow for the most aesthetic installation, free of distracting cables. If a wall plate cannot be installed due to the wall construction, alternatively, a race way can be installed to bring the Ethernet cable to the mounting location.

Step 3 - Install the *Oberon right angle wall mount* to the wall using 1/4-20 screws or other proper mounting screws based on the construction of the wall surface (customer supplied). Due to the weight of this unit, plastic expansion wall anchors are not adequate for drywall installations. During installation, Oberon recommends that one of the following be used: 1) threaded drywall anchors; 2) threaded drywall toggles; 3) sleeve type hollow wall anchors (a.k.a. molly bolts); or 4) toggle bolts.

The *Oberon right angle wall mount* should ideally be placed so that the open area of the wall mount is located directly over top of the wall plate (Ref. Figure 1). Use the supplied snap caps for a decorative finish.

⚠️IMPORTANT**** - It is important that the right angle mount is securely fastened to the wall to prevent human injury or damage to the access point.

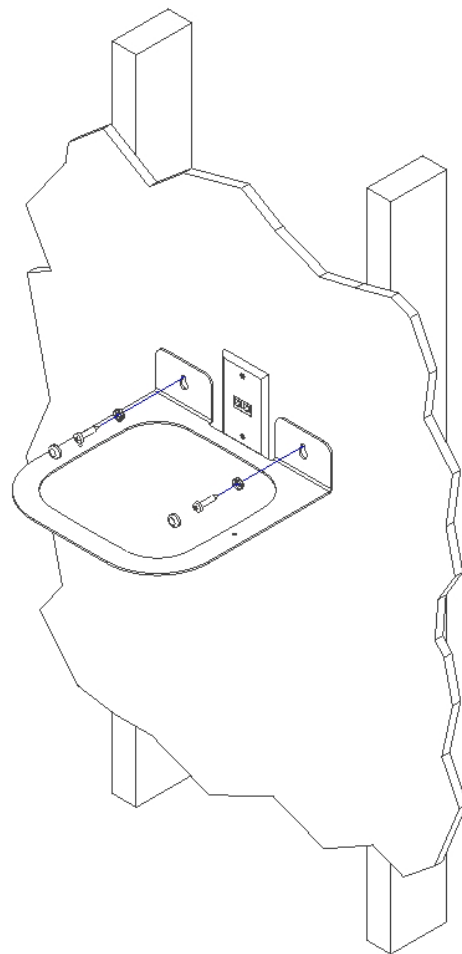


Figure 1

Once the *Oberon right angle wall mount* has been secured to the wall, find a flat work surface to assemble the *Cisco access point* to the *Oberon access point mounting bracket* prior to mounting on wall.

Step 4 – Place the *Oberon access point mounting bracket* on the work surface.

Step 5 - Attach the *Cisco mounting plate* to the *Oberon access point mounting bracket* using the four (4) #8-32 screws provided. The *Cisco mounting plate* should be aligned with the *Oberon access point mounting bracket* so that the cable entry on the *Cisco mounting plate* is positioned toward the cutout of the *Oberon access point mounting bracket* (Ref. Figure 2).

Step 6 - Determine the required length Ethernet jumper (the jumper should be as short as possible to minimize the amount of cable visible after installation) and attach one end of the cable to the *Cisco access point*.

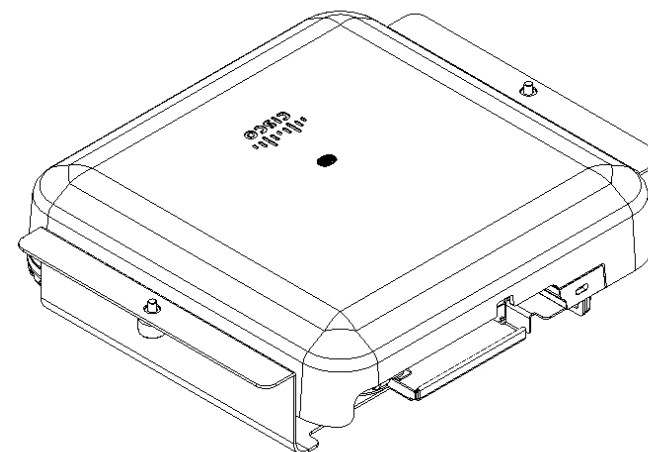


Figure 3

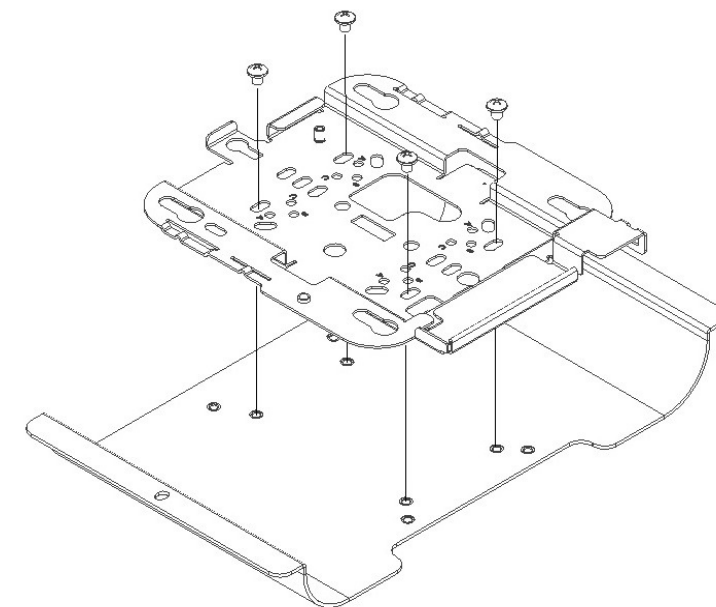


Figure 2

Step 7 – After the Ethernet cable has been attached to the *Cisco access point*, attach the *Cisco access point* to the *Oberon access point mounting bracket/Cisco mounting bracket assembly* (Ref. figure 3).

The *access point assembly* is now ready to be attached to the *Oberon right angle wall mount*.

Step 8 – Align the *Oberon access point mounting bracket/Cisco access point assembly* so that the Ethernet cable is facing the wall. Attach the *access point assembly* to the *Oberon right angle wall mount* that was previously installed by placing the threaded studs on the *access point assembly* over the holes of the *Oberon right angle wall mount* (Ref. figure 4).

Step 9 – Secure the *access point assembly* to the *Oberon right angle wall mount* by tightening the two (2) captured fasteners.

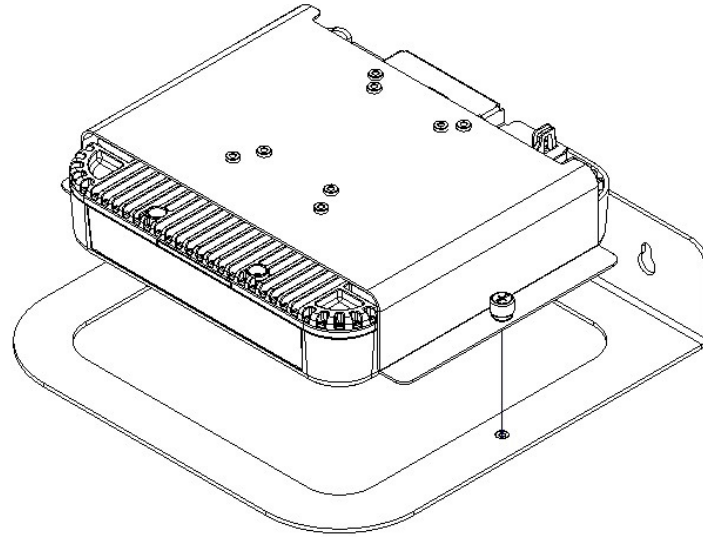


Figure 4

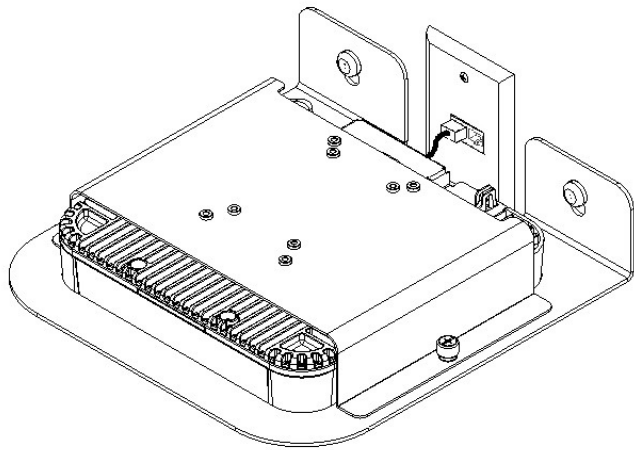
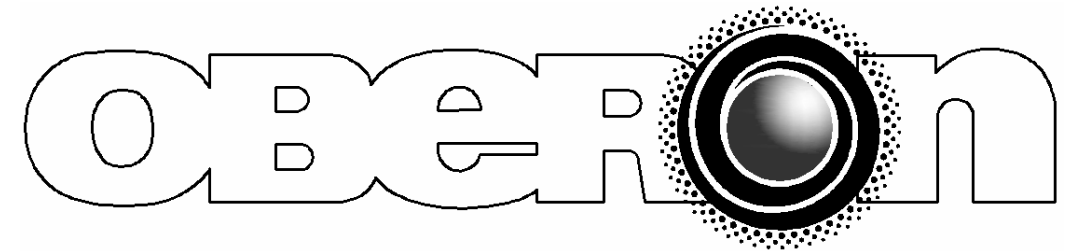


Figure 5

Step 10 – Complete the installation by attaching the opposite end of the previously installed Ethernet jumper the wall outlet (Ref. Figure 5).



MODEL 1006-CCOAP3800

Installation Instructions

**** WARNING ****

Please thoroughly read the product warning below before installation to provide for a safe work environment.

1. Always consider the hazard to other people:
 - a. During installation, use warning signs, etc.
 - b. Don't work with people directly below the work area as equipment could fall and cause an injury
2. Be sure to securely fasten the mount to the wall to prevent the mount from becoming dislodged.