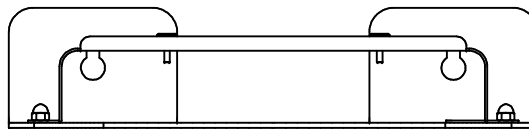
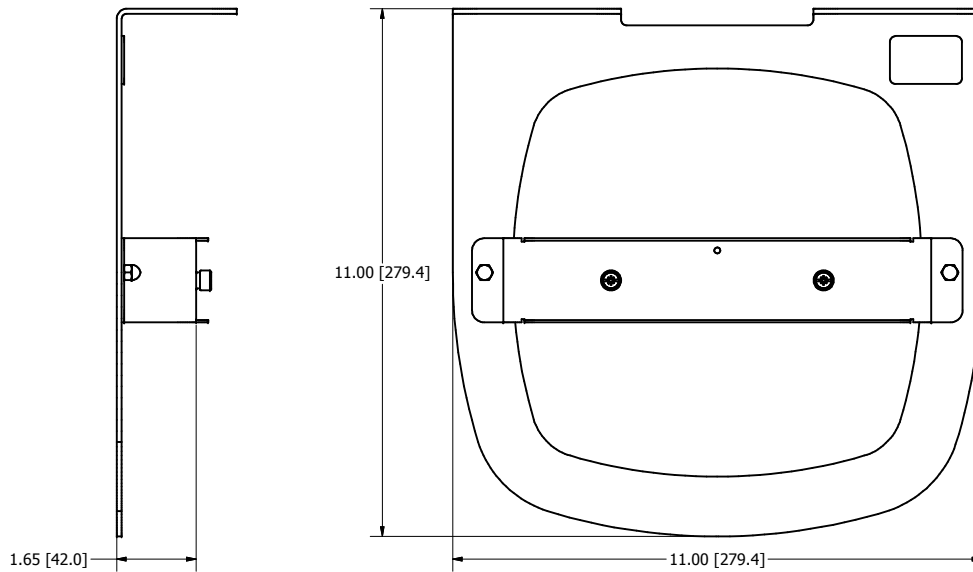
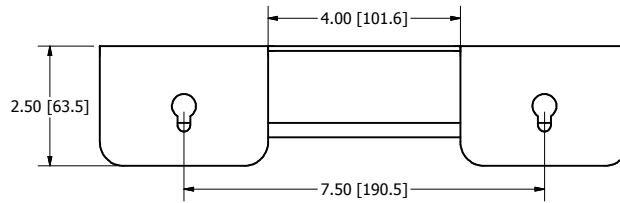


REVISION HISTORY				
ZONE	REV	DESCRIPTION	DATE	APPROVED
All	1	Released	1/29/2018	ATK



**ORDERING INFORMATION:**

MANUFACTURER/MODEL:                      OBERON ENCLOSURE MODEL:

- |                           |                      |
|---------------------------|----------------------|
| Cisco 2600/2700/3500/3700 | Model 1006-CCOAP     |
| Cisco 2800/3800           | Model 1006-CCOAP3800 |
| Cisco HLA                 | Model 1006-HLA       |
| Aruba Networks AP225      | Model 1006-AP225     |
| Aruba Networks AP325      | Model 1006-AP325     |
| Extreme Networks 3925     | Model 1006-EXT3935   |

**NOTES:**

- Weight: 6 lbs.
- Material: 10 Gauge Steel Base White Powder Coat  
16 Gauge Steel Mounting Bracket White Powder Coat

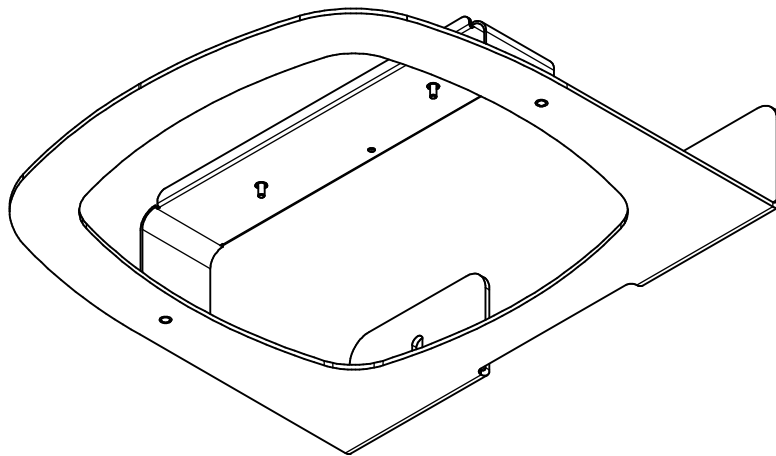
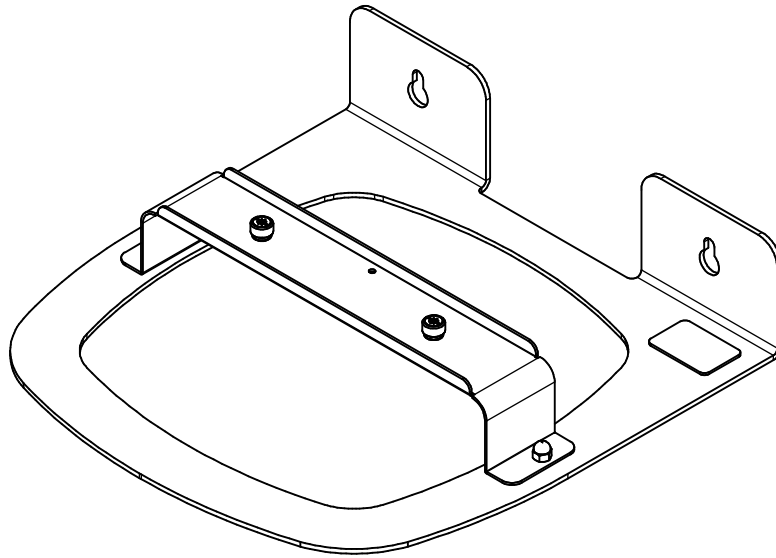
**Includes:**

- Installation Hardware for Access Point
- Hardware for wall attachment supplied by customer

NOTE: All materials used in the construction of Oberon products must be RoHS compliant and meet RoHS2 Directive 2011/65/EU. Contact Oberon engineering if RoHS compliant materials are not available.

DRAWN RLC	5/24/2016	Oberon, Inc. - 1315 S. Allen St. - State College, PA 16801		
CHECKED RLC	5/24/2016	TITLE		
QA		Model 1006-EXT3935		
MFG RLC	5/24/2016	SIZE C	DWG NO 2697	REV 1
APPROVED RLC	5/24/2016	SCALE	SHEET 1 OF 2	
TOLERANCE:	.0 = +/- .030 .00 = +/- .015 .000 = +/- .005			

ISOMETRIC VIEWS



DRAWN	RLC	5/24/2016	Oberon, Inc. - 1315 S. Allen St. - State College, PA 16801		
CHECKED	RLC	5/24/2016	TITLE		
QA			Model 1006-EXT3935		
MFG	RLC	5/24/2016	SIZE	DWG NO	REV
APPROVED	RLC	5/24/2016	C	2697	1
TOLERANCE:	.0 = +/- .030		SCALE	SHEET 2 OF 2	
	.00 = +/- .015				
	.000 = +/- .005				