

# Installation Instructions

Model Number 1008-00

## Assembly Components:

- Right angle wall mount – 1 each
- #6 - 32 screw (for attaching T-bar Bracket) – 2 each
- #8 - 32 screw (for attaching access point mounting plate) – 4 each
- Vanity Cover – 1 each (optional)
- Interlocking Adhesive strips – 4 each
- T-bar Bracket – 1 each
- Wire tie – 1 each
- Installation Instructions – 1 each

If any of these items are missing, contact your Oberon representative.

Find a flat work surface to assemble the *mount*, *access point's mounting plate*, *conduit clamp(s)*, *T-bar clip*, and *antenna(s)* prior to mounting on wall.

Step 1 – Place the *mount assembly* on the work surface.

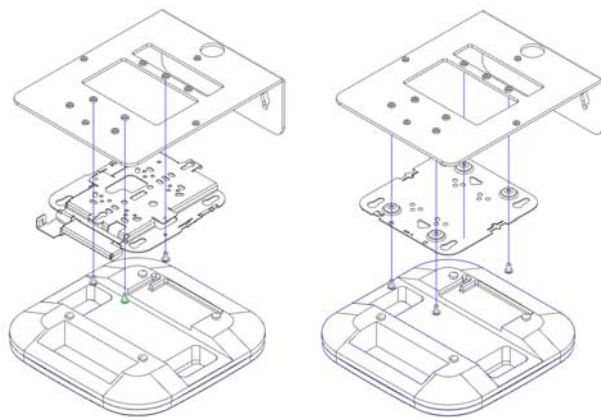


Figure 1

Step 2a (*Cisco Access Points Only*) – Use the legend on the back page to determine which hole pattern to use (Figure 4). Securely fasten the *access point's mounting bracket* to the mount using the included (4) # 8-32 screws (Figure 1).

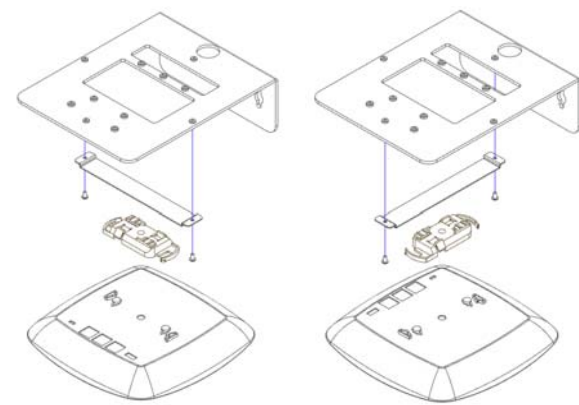


Figure 2

Step 2b (*Other Manufacturers*) – Fasten the provided T-Bar bracket in the best position for the access point, then securely fasten the access point and its respective mounting plate or bracket (Figure 2).

Step 3 – If applicable, install the vanity cover (optional). Apply two pieces of the interlocking adhesive strips to the access point and two to the vanity cover so when the cover is placed over the access point, the strips make contact.

The mount is now ready for wall mounting.

Step 4 – Mount the beam clamps to the desired location while maintaining the spacing of the mounting key slots on the back side of the bracket. Tighten the underside bolts to secure the beam clamps. Use the provided 1/4-20 screws to fasten the bracket and access point assembly (Figure 3). Due to the weight of this unit, plastic expansion wall anchors are not adequate for drywall installations. During installation, Oberon recommends that one of the following be used: 1) threaded drywall anchors; 2) threaded drywall toggles; 3) sleeve type hollow wall anchors (a.k.a. molly bolts); or 4) toggle bolts

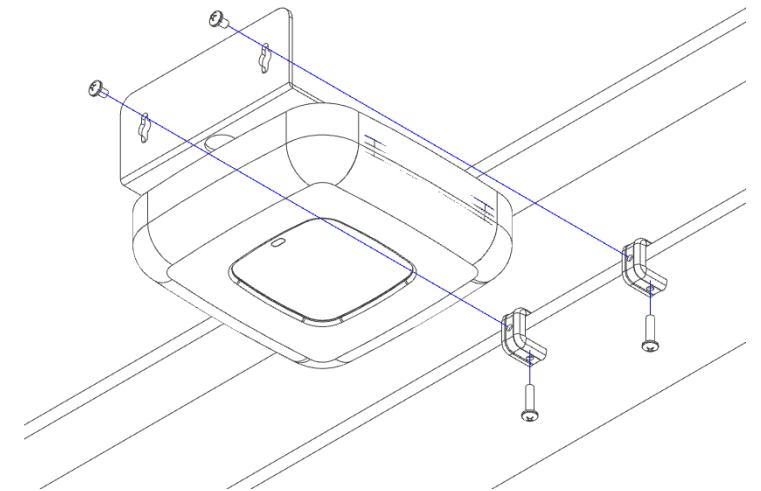


Figure 3

Step 5 – Wrap wire tie around the access point security tab and the mounting bracket tab as shown in Figure 4 so access point does not become dislodged (Cisco APs only).

Step 6 – Attach the data and power cables to the *access point* prior to securing the *access point* to the mounting bracket. After the *access point* is secured to the mounting bracket, attach antennas to the *access point* if required.

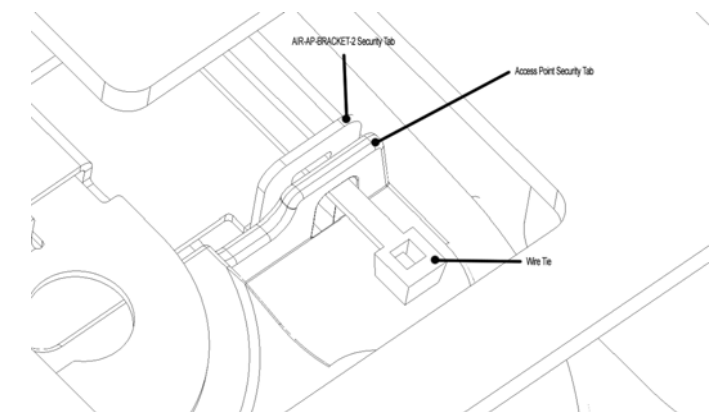


Figure 4

**⚠\*\*IMPORTANT\*\* - It is important that the mount is securely fastened to the wall to prevent human injury or damage to the access point.**



## MODEL 1008-00

### Installation Instructions

- A - T-Bar Bracket
- B - Cisco AIR-AP-BRACKET-1
- C - Cisco AIR-AP-BRACKET-2

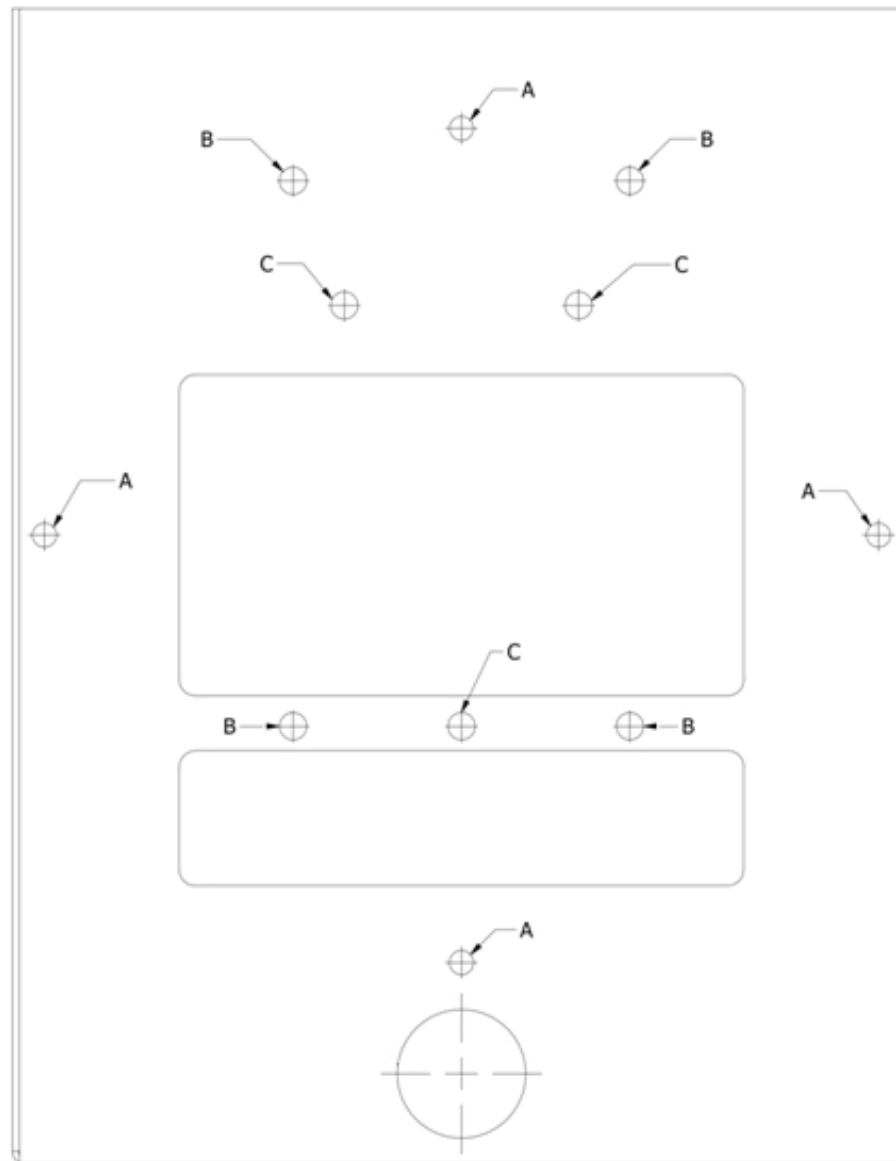


Figure 4



### \*\*\*\* WARNING \*\*\*\*

**Please thoroughly read the product warning below before installation to provide for a safe work environment.**

1. Always consider the hazard to other people:
  - a. During installation, use warning signs, etc.
  - b. Don't work with people directly below the work area as equipment could fall and cause an injury
2. Be sure to securely fasten the mount to the wall to prevent the mount from becoming dislodged.