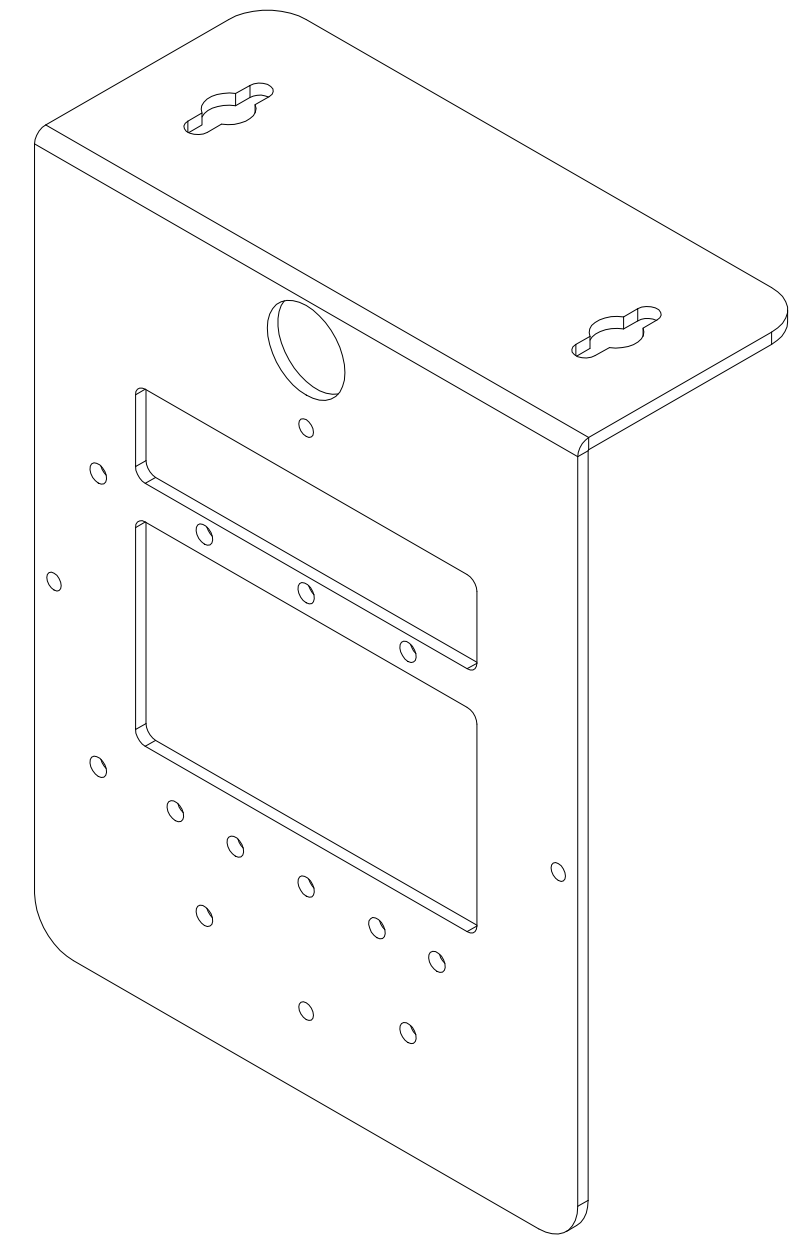
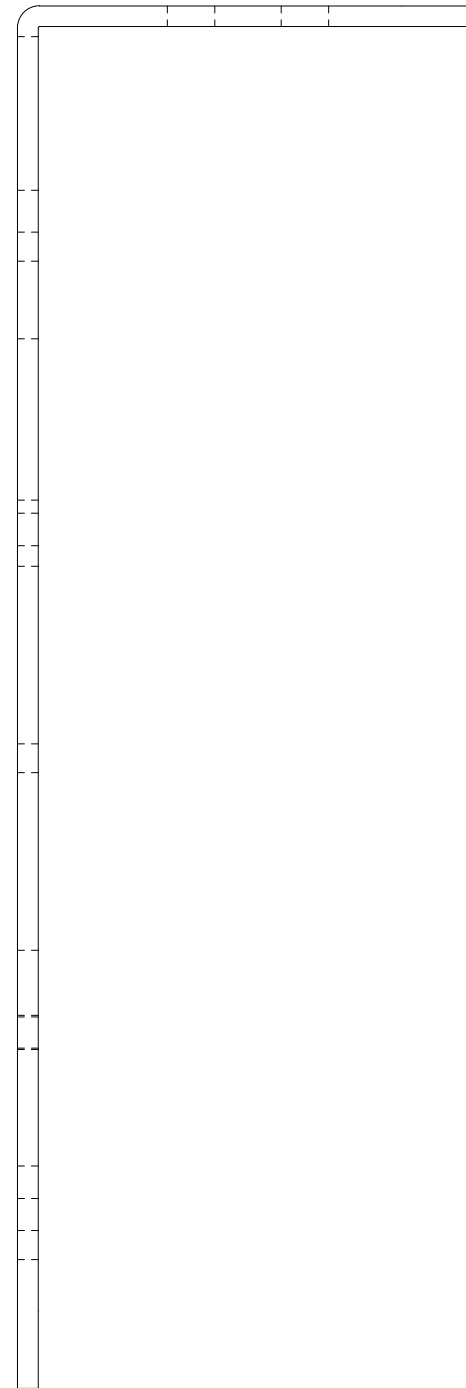
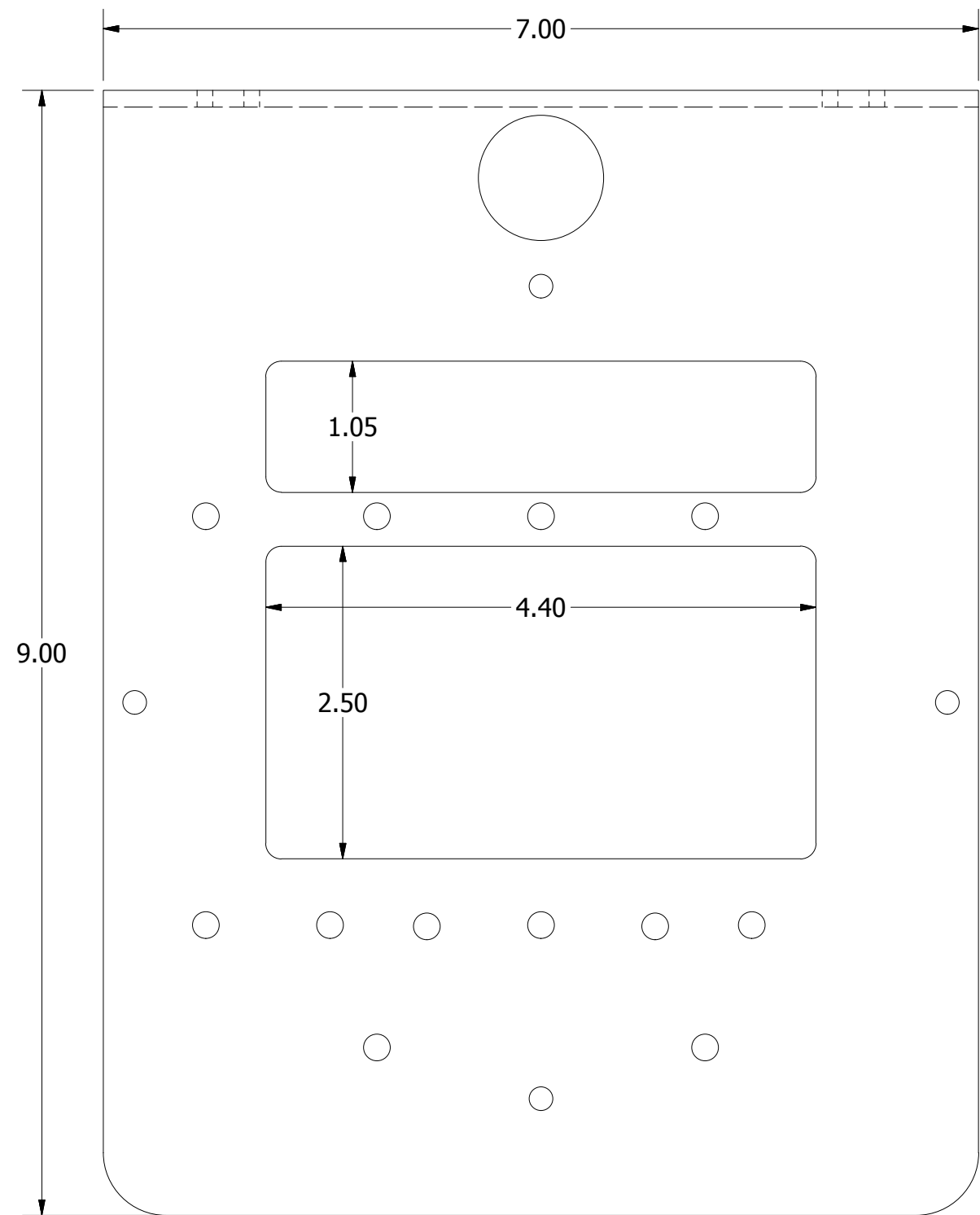
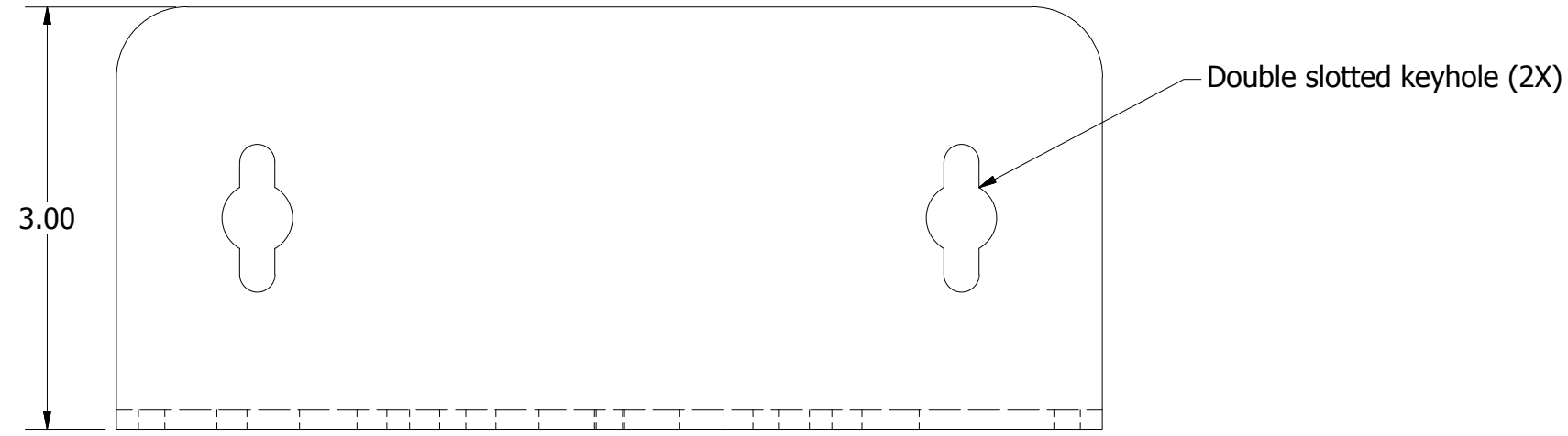


REVISION HISTORY				
ZONE	REV	DESCRIPTION	DATE	APPROVED
All	1	Released	10/13/2014	EAS

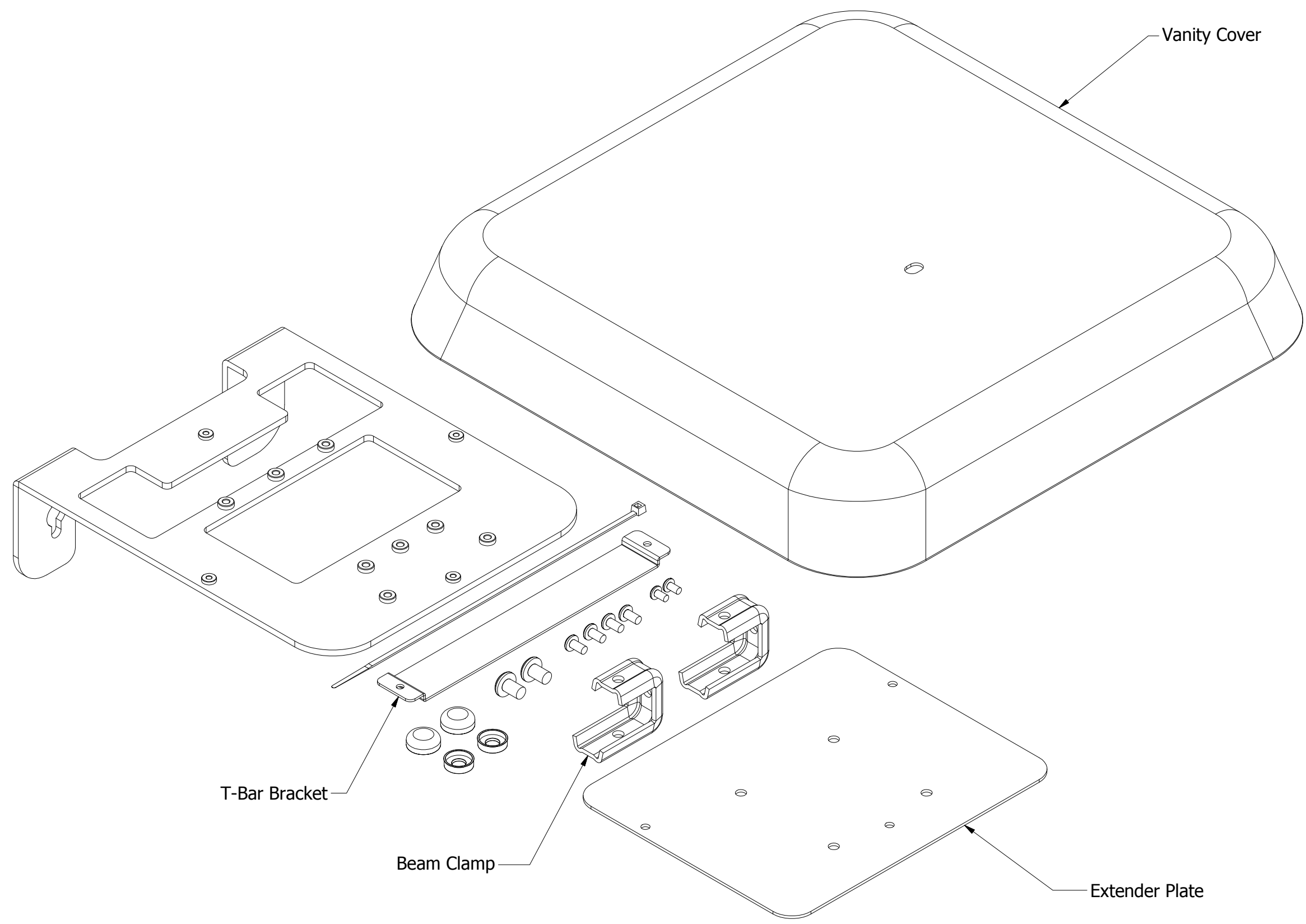


ISOMETRIC VIEW

NOTES:

- Weight: 2.5 lbs
- Material: 10 Ga. White Powder Coated Steel
- Includes: (1) Universal T-Bar Bracket
- (2) 6-32 x 1/4" Screw
- (4) 8-32 x 5/16" Screw
- (2) 1/4-20 x 3/8" Screw
- (2) 1/4-20 Beam Clamp
- (1) Vanity Cover

DRAWN EAS	10/13/2014	Oberon, Inc. - 1315 S. Allen St. - State College, PA 16801		
CHECKED EAS	10/13/2014	TITLE		
QA				
MFG EAS	10/13/2014	Model 1008-HLA-COVER		
APPROVED EAS	10/13/2014			
TOLERANCE:	.0 = +/- .030 .00 = +/- .015 .000 = +/- .005	SIZE C	DWG NO 2687	REV 1
		SCALE	SHEET 1 OF 2	



Vanity Cover

T-Bar Bracket

Beam Clamp

Extender Plate

DRAWN EAS	10/13/2014	Oberon, Inc. - 1315 S. Allen St. - State College, PA 16801		
CHECKED EAS	10/13/2014	TITLE		
QA		Model 1008-HLA-COVER		
MFG EAS	10/13/2014	SIZE C	DWG NO 2687	REV 1
APPROVED EAS	10/13/2014	SCALE	SHEET 2 OF 2	
TOLERANCE:		.0 = +/- .030 .00 = +/- .015 .000 = +/- .005		