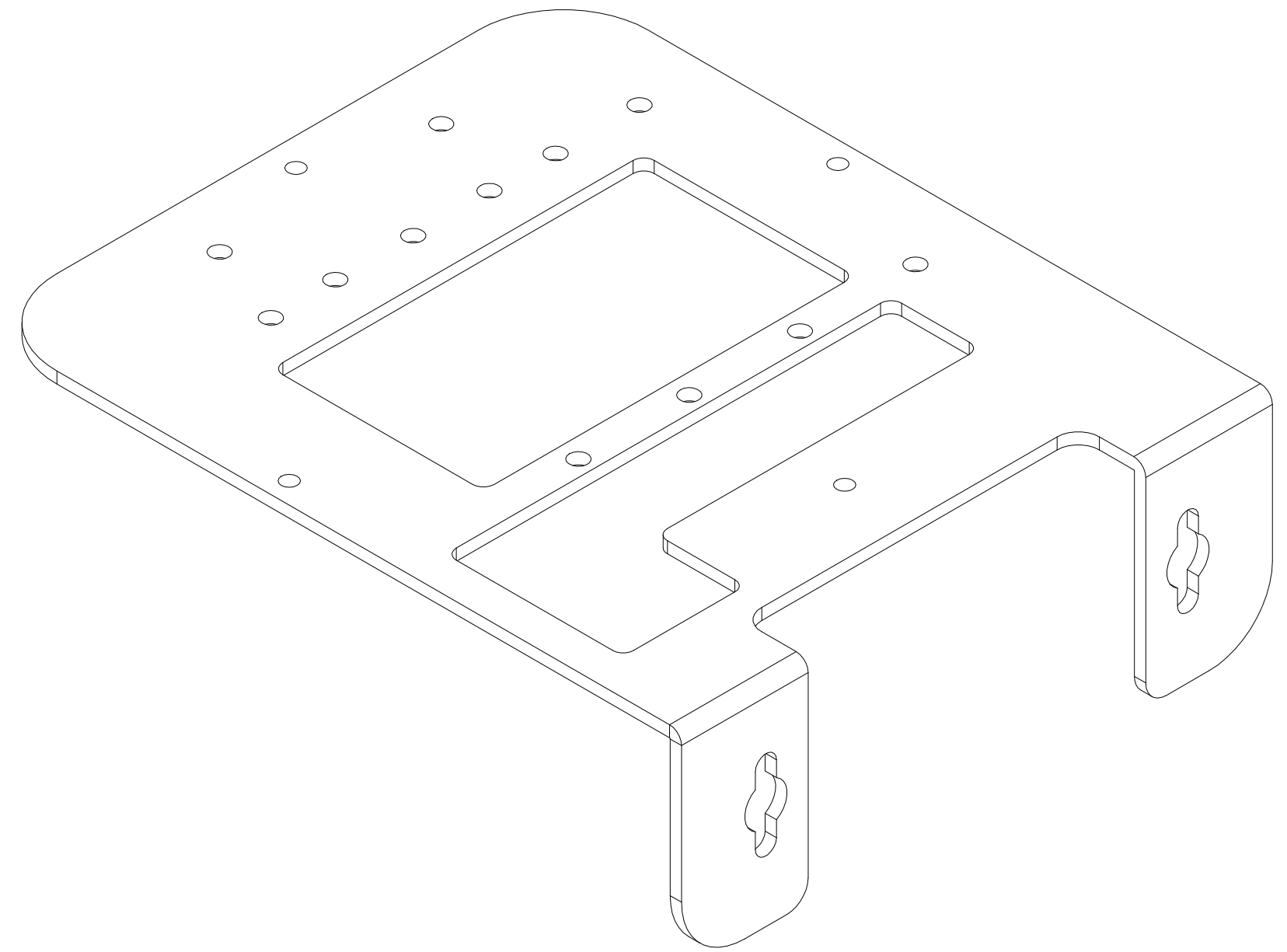
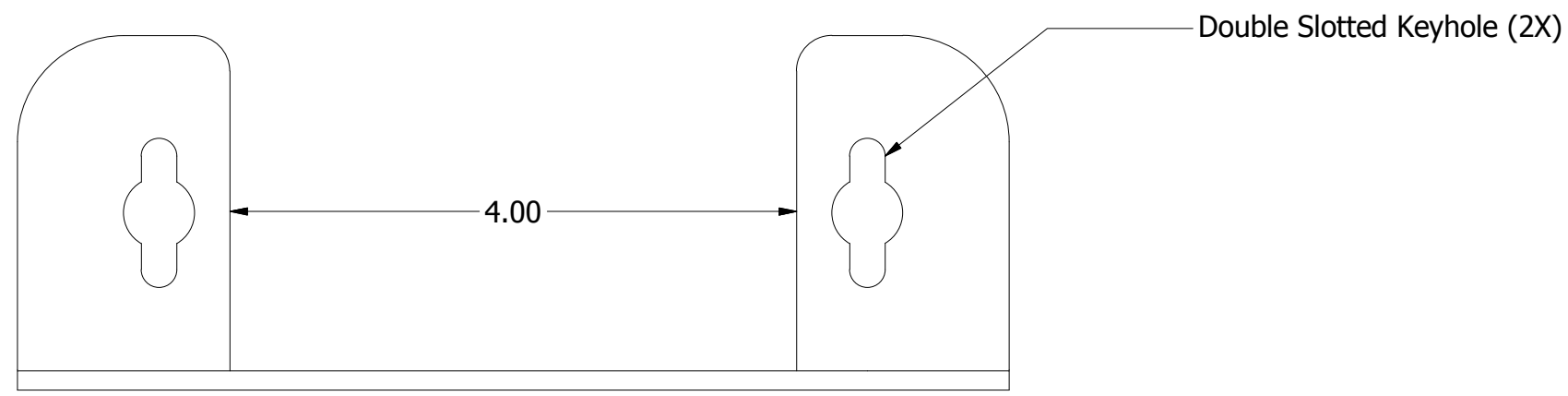
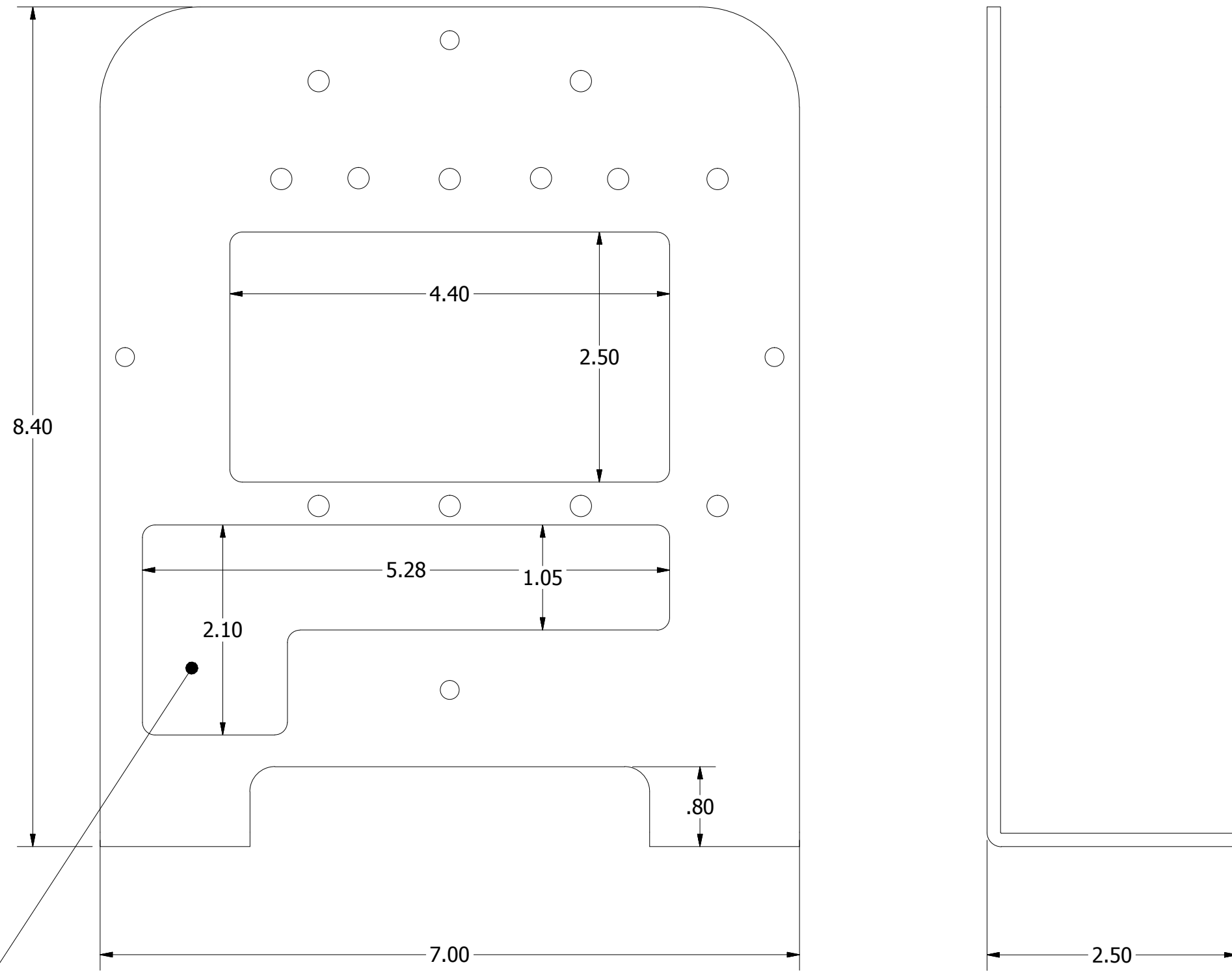


REVISION HISTORY				
ZONE	REV	DESCRIPTION	DATE	APPROVED
All	1	Released	3/23/2016	MDA



ISOMETRIC VIEW

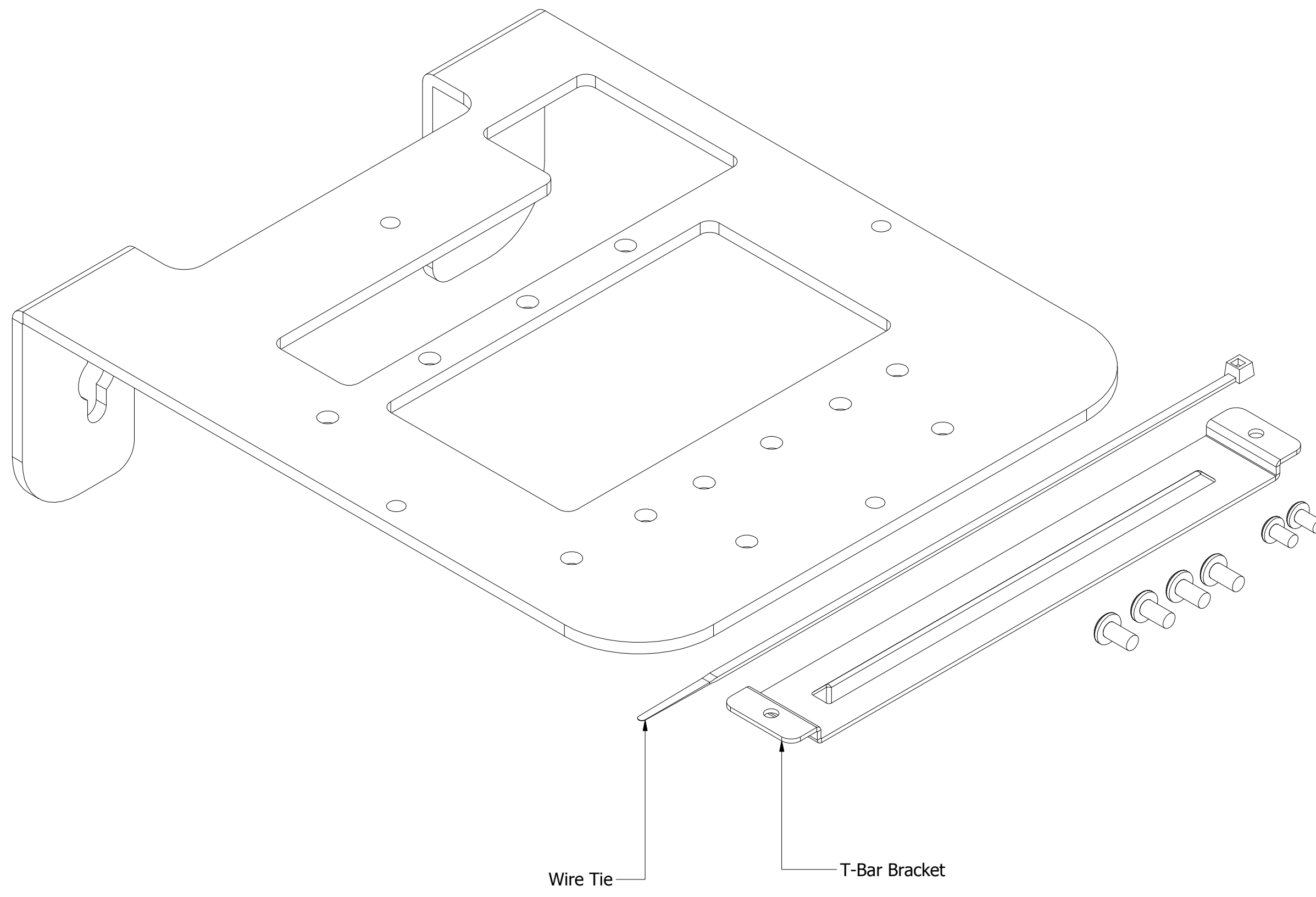


NOTES:

- Weight: 2.5 lbs
- Material: 10 Ga. White Powder Coated Steel
- Includes: (1) Universal T-Bar Bracket
 (2) 6-32 x 1/4" Screw
 (4) 8-32 x 5/16" Screw
 (2) 1/4-20 x 3/8" Screw
 (2) 1/4-20 Beam Clamp
 (1) Wire Tie

NOTE: All materials used in the construction of Oberon products must be RoHS compliant. Contact Oberon engineering if RoHS compliant materials are not available.

DRAWN MDA	3/23/2016	Oberon, Inc. - 1315 S. Allen St. - State College, PA 16801		
CHECKED MDA	3/23/2016	TITLE		
QA		Model 1009-00		
MFG MDA		SIZE C	DWG NO Model1009-00	REV 1
APPROVED MDA	3/23/2016	SCALE	SHEET 1 OF 2	
TOLERANCE:	.0 = +/- .030 .00 = +/- .015 .000 = +/- .005			



Wire Tie

T-Bar Bracket

DRAWN MDA	3/23/2016	Oberon, Inc. - 1315 S. Allen St. - State College, PA 16801		
CHECKED MDA	3/23/2016	TITLE		
QA		Model 1009-00		
MFG MDA		SIZE	DWG NO	REV
APPROVED MDA	3/23/2016	C	Model1009-00	1
TOLERANCE:	.0 = +/- .030 .00 = +/- .015 .000 = +/- .005	SCALE	SHEET 2 OF 2	