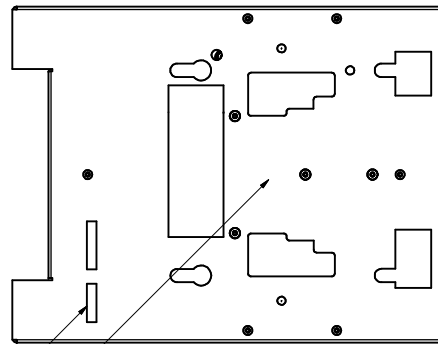
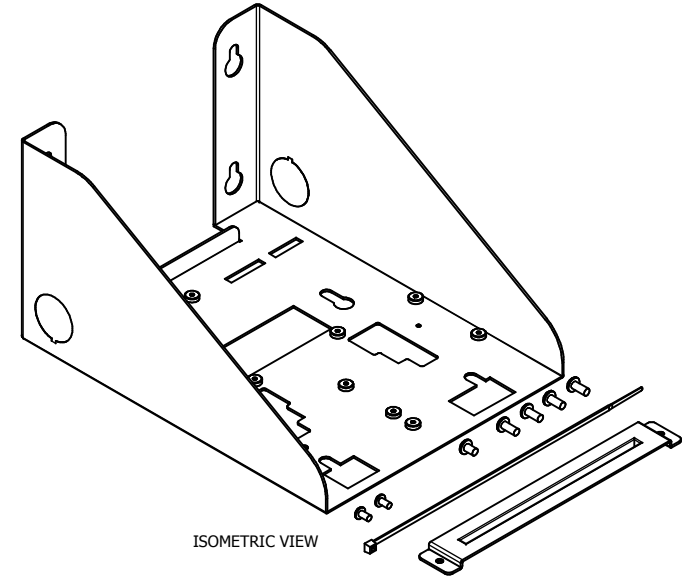
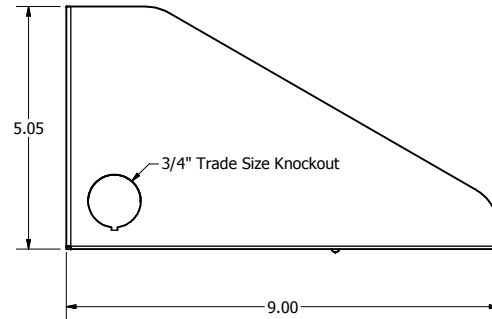
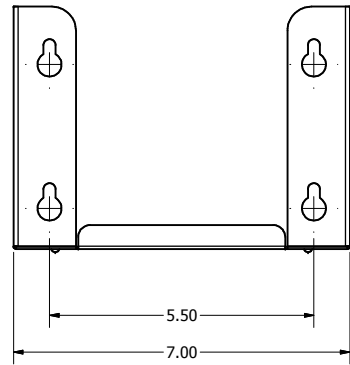


REVISION HISTORY				
ZONE	REV	DESCRIPTION	DATE	APPROVED
All	1	Released	5/24/2017	RLC



Cutaway for Cisco Security Tab  
 Features for Direct Mounting of Cisco and Aruba APs

**NOTES:**

- Weight: 3 lbs
- Material: 20 Ga. White Powder Coated Steel
- Includes: (1) T-Bar Bracket  
 (5) #8-32 Screws  
 (2) #6-32 Screws  
 (1) Wire Tie

NOTE: All materials used in the construction of Oberon products must be RoHS compliant and meet RoHS2 Directive 2011/65/EU. Contact Oberon engineering if RoHS compliant materials are not available.

DRAWN RLC	5/24/2017	Oberon, Inc. - 1315 S. Allen St. - State College, PA 16801		
CHECKED RLC	5/24/2017	TITLE		
QA		Model 1010-00		
MFG RLC	5/24/2017	SIZE C	DWG NO Model1010-00	REV 1
APPROVED RLC	5/24/2017	SCALE	SHEET 1 OF 1	
TOLERANCE:	.0 = +/- .030 .00 = +/- .015 .000 = +/- .005			