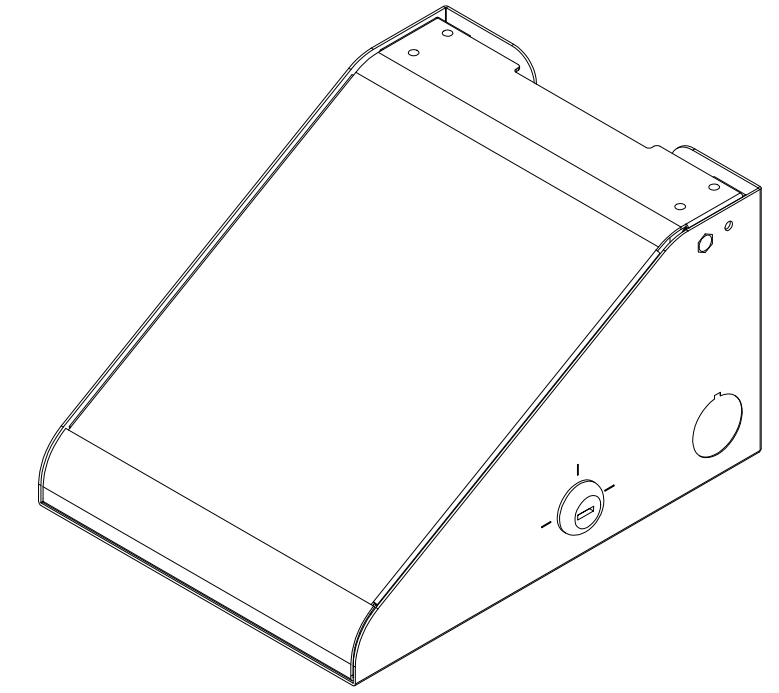
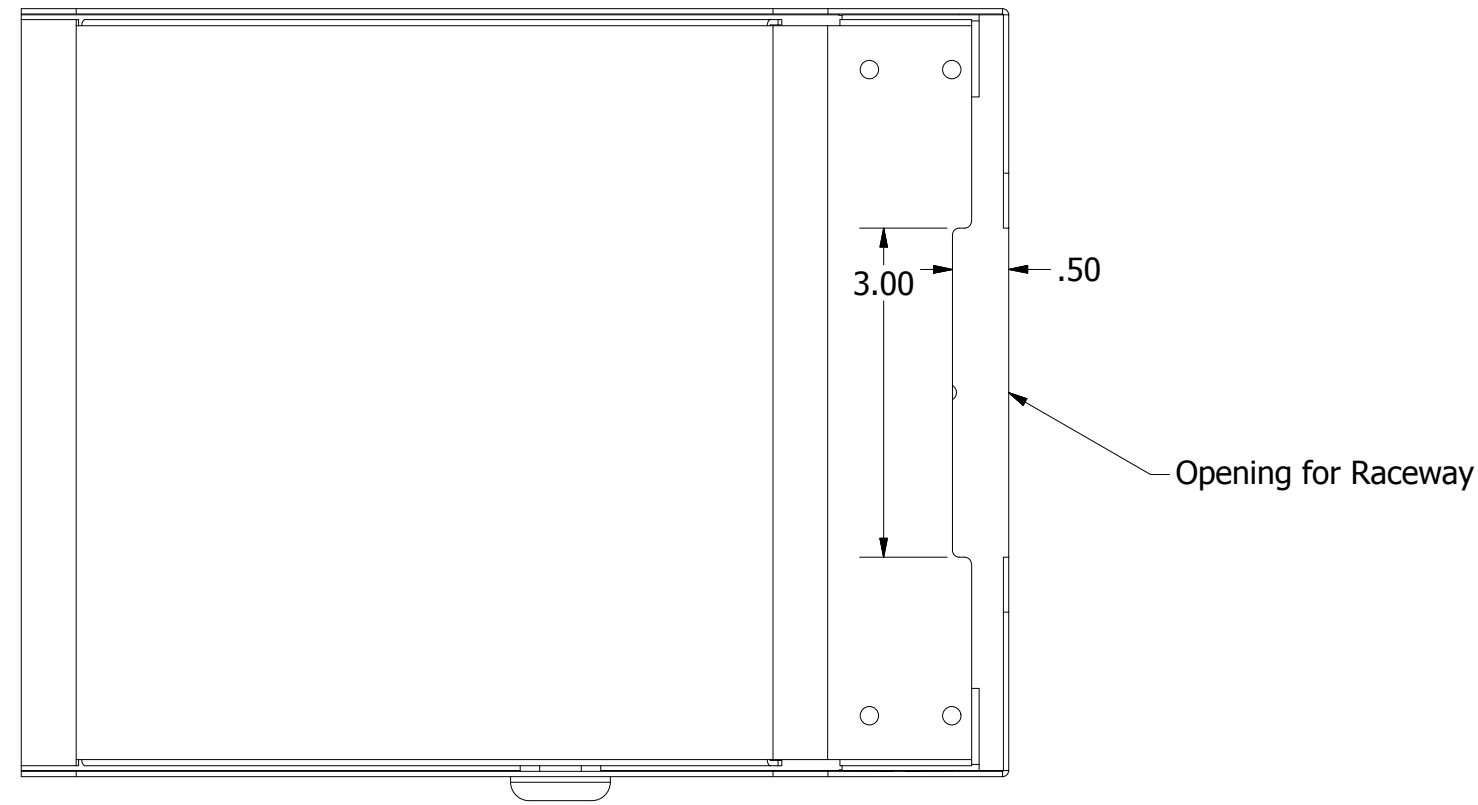
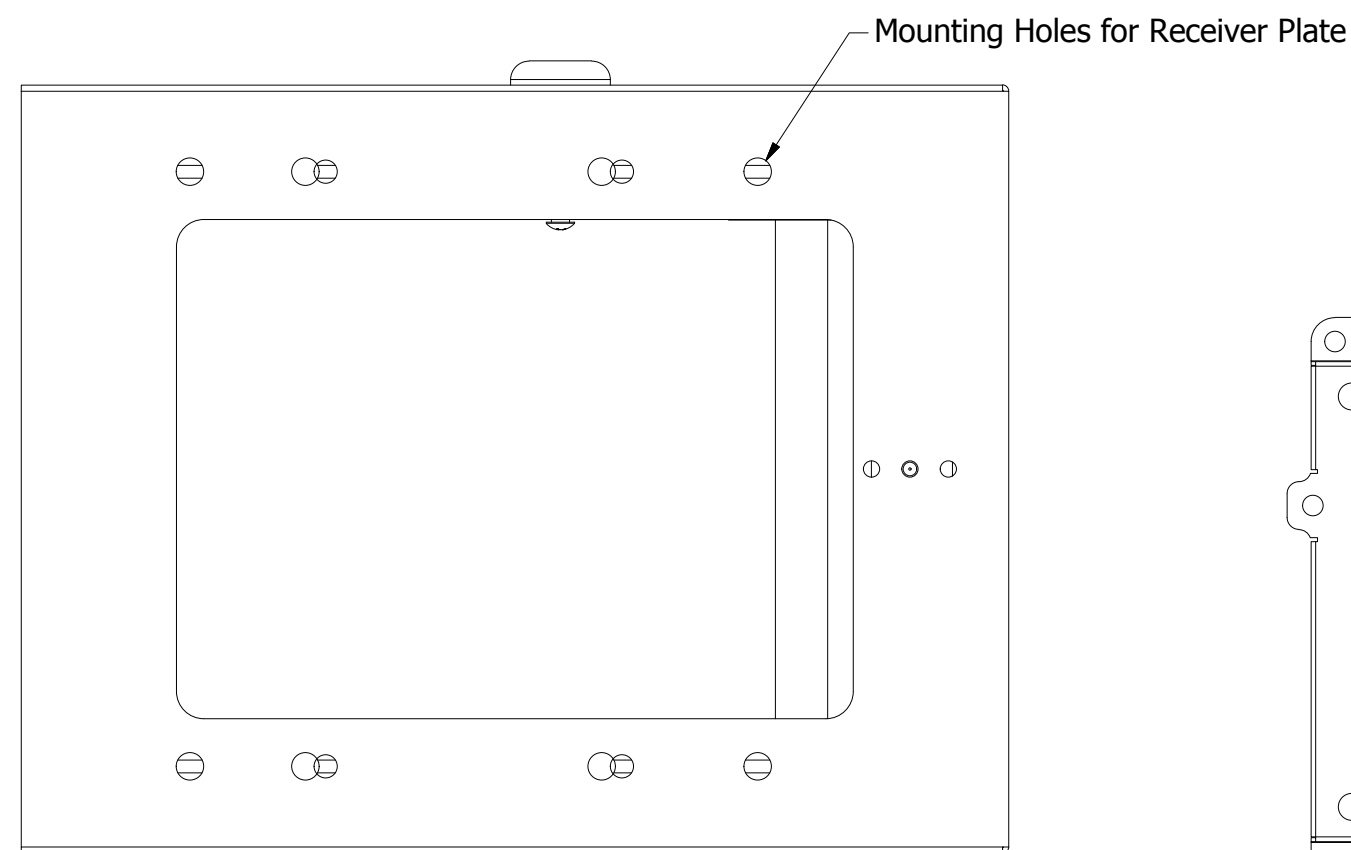
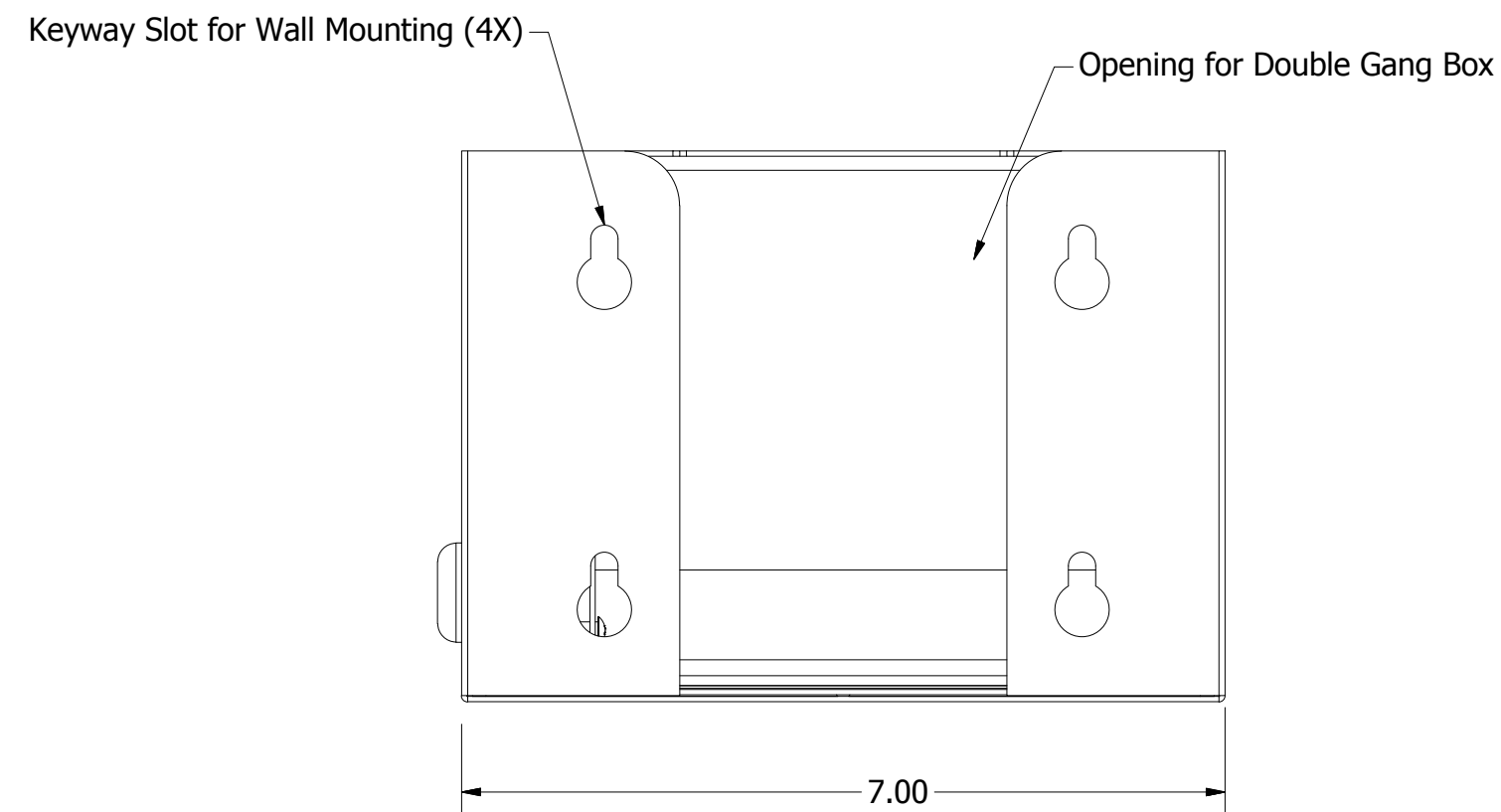
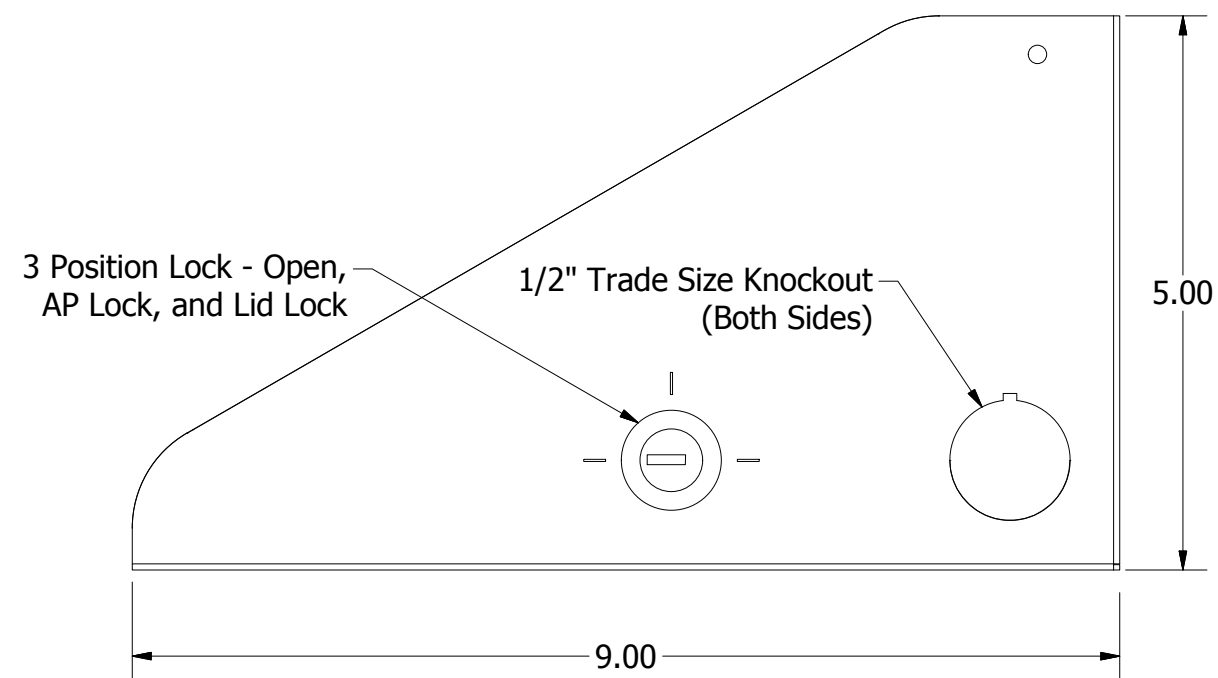


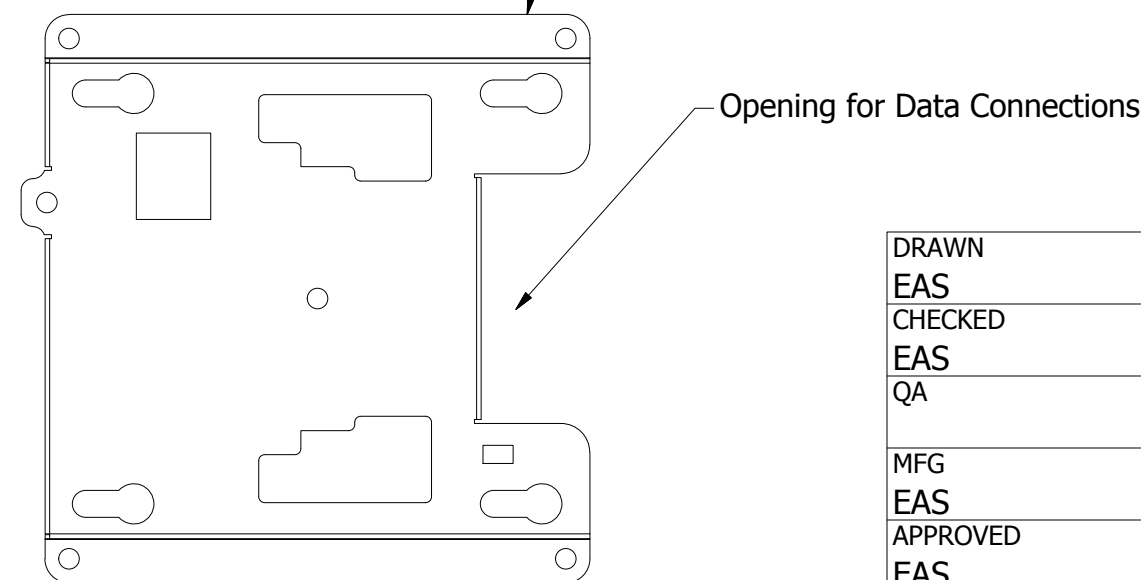
REVISION HISTORY				
ZONE	REV	DESCRIPTION	DATE	APPROVED
All	1	Released	4/28/2014	EAS



ISOMETRIC VIEW



Receiver Plate for Aruba Networks  
 AP 103, 114, 115, 134, 135, 204, 205, 224, 225  
 And Cisco 1040, 1140, 2600, 2700, 3500,  
 3600, 3700



- NOTES:**
- Weight: 3.5 lbs
  - Material: 18 Ga. White Powder Coated Steel
  - 3 Position Lock
  - Universal Receiver Plate

DRAWN EAS	4/28/2014	Oberon, Inc. - 1315 S. Allen St. - State College, PA 16801		
CHECKED EAS	4/28/2014	TITLE		
QA		Model 1012-00 Customer Print		
MFG EAS	4/28/2014	SIZE C	DWG NO Model1012-00	REV 1
APPROVED EAS	4/28/2014	SCALE	SHEET 1 OF 1	
TOLERANCE:		.0 = +/- .030 .00 = +/- .015 .000 = +/- .005		