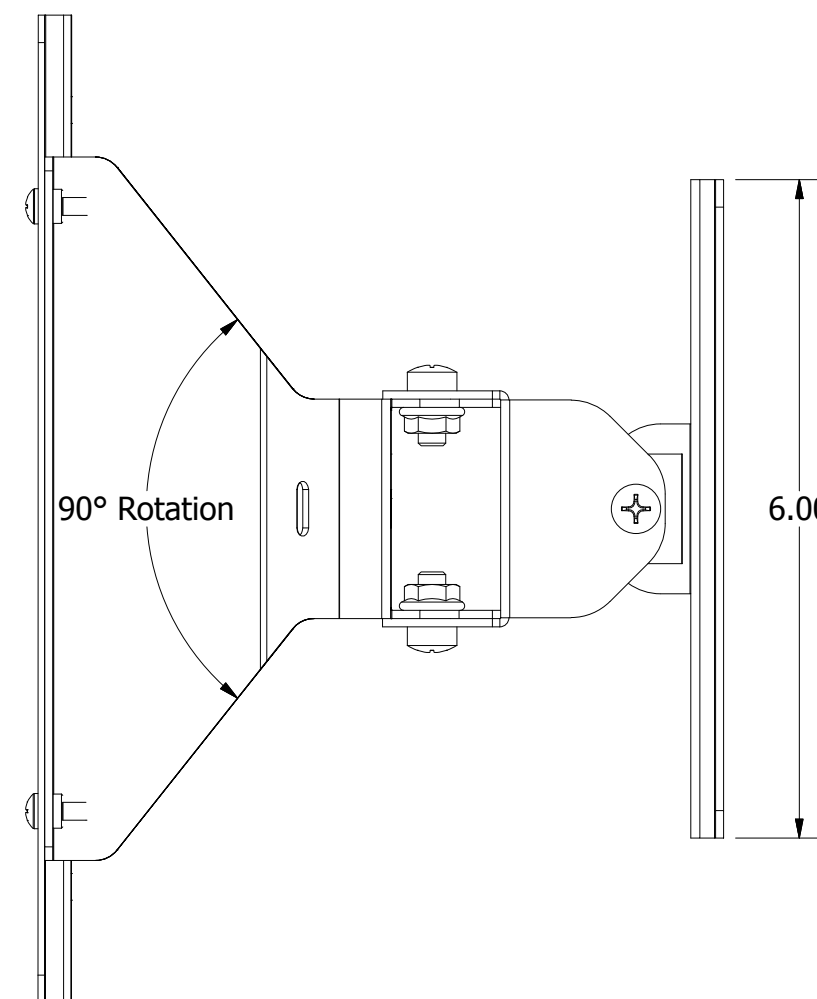
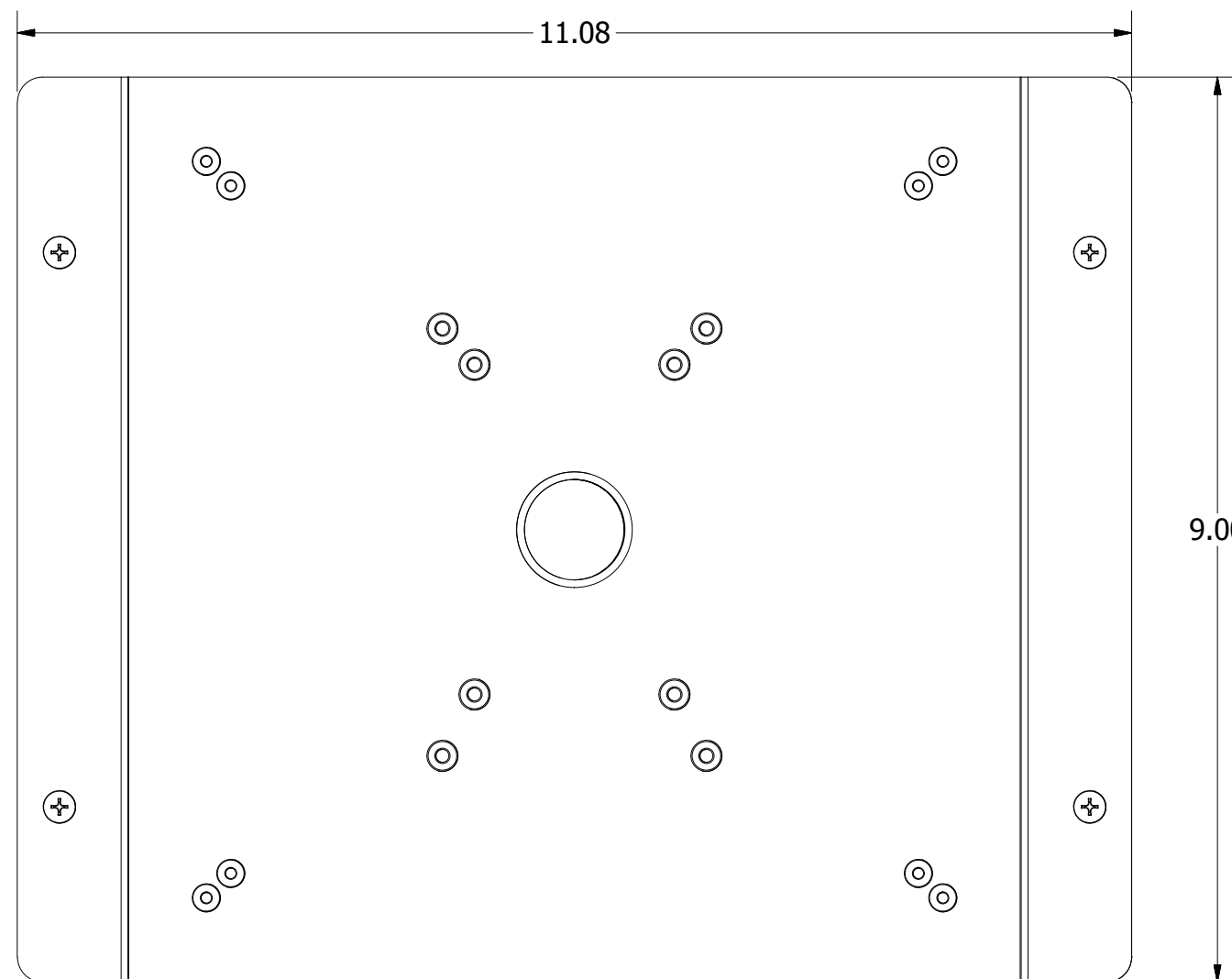
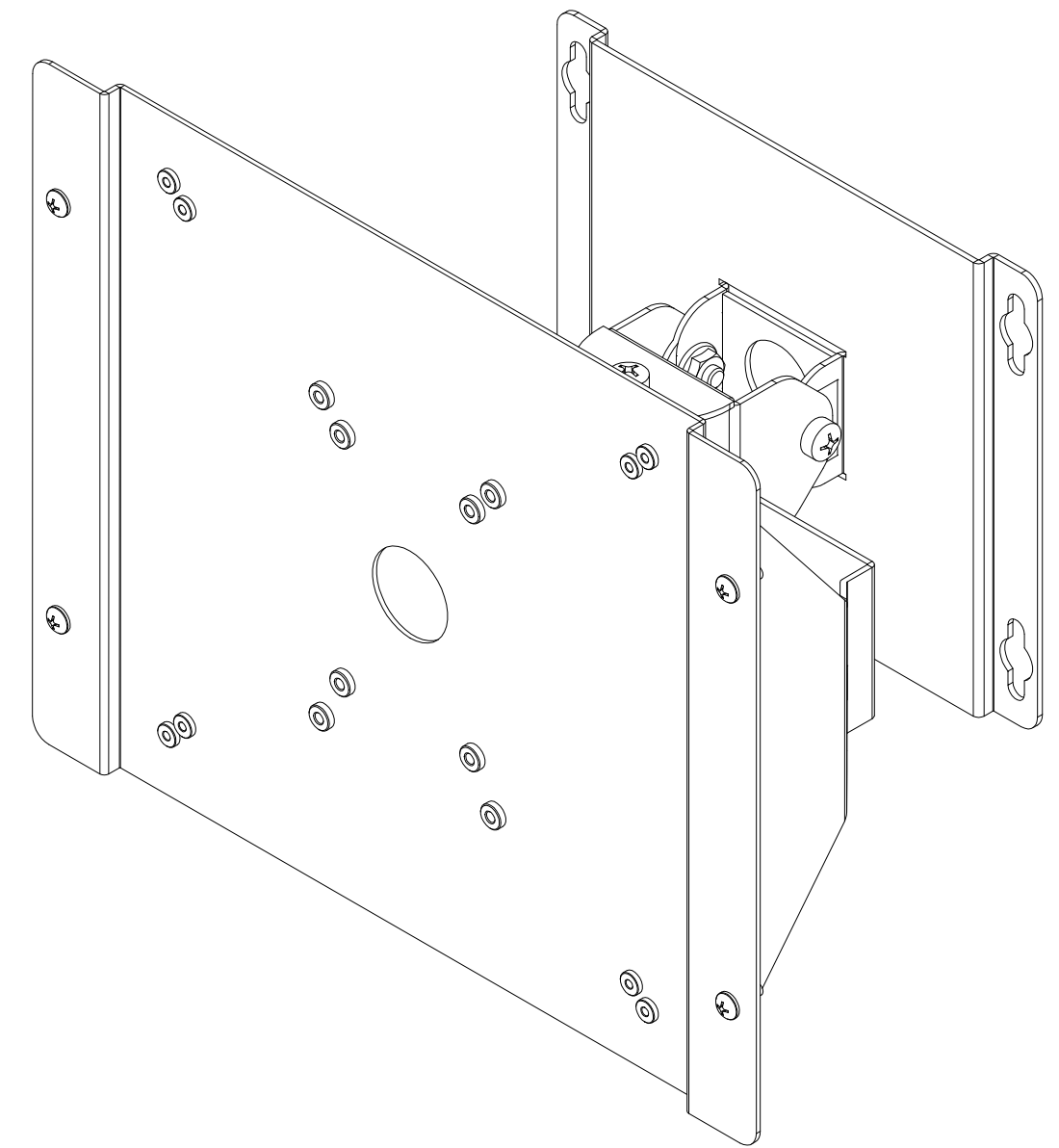
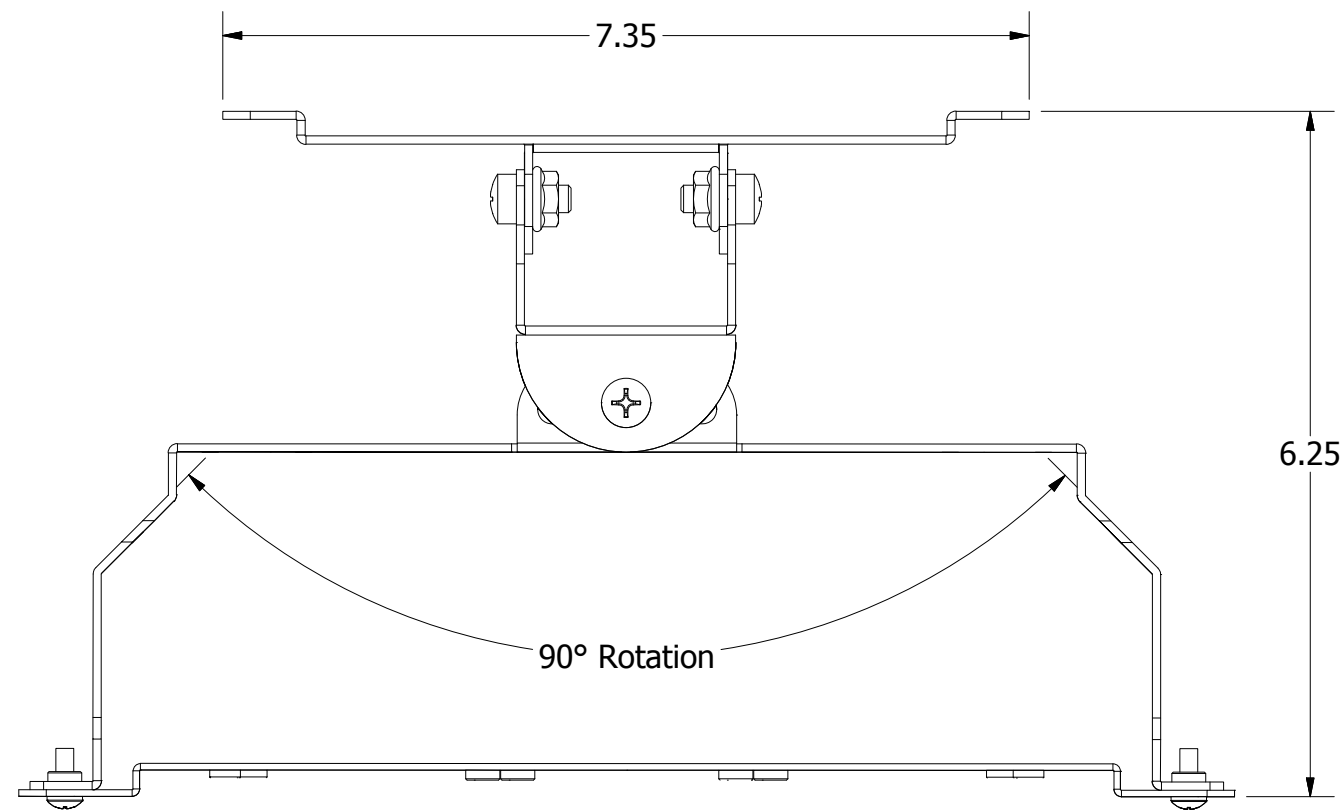


REVISION HISTORY				
ZONE	REV	DESCRIPTION	DATE	APPROVED
All	1	Released	7/30/2014	EAS



- NOTE:**
- Bracket: 14 Ga. White Powdercoated Steel
 - Mounting Plate: 16 Ga. White Powdercoated Steel
 - Includes: (4) 8-32x1/4" screws
(4) 8-32x7/16" screws
(2) 6-32x1/4" screws
(1) T-Bar
(2) Wire Ties
 - 90° Sweep X and Y axis

Mounting Plate for the following:

- Cisco AIR-AP-BRACKET-1,
AIR-AP-BRACKET-2
- Cisco Antenna AIR-ANT2566P4W-R
- Aruba Networks Antenna AP-ANT-17,
AP-ANT-18, AP-ANT-25, AP-ANT-35,
AP-ANT-28, and AP-ANT-38

DRAWN EAS	7/30/2014	Oberon, Inc. - 1315 S. Allen St. - State College, PA 16801		
CHECKED EAS	7/30/2014	TITLE		
QA		Model 1013-00 Customer Print		
MFG EAS	7/30/2014	SIZE C	DWG NO 2242	REV 1
APPROVED EAS	7/30/2014	SCALE	SHEET 1 OF 1	
TOLERANCE:	.0 = +/- .030 .00 = +/- .015 .000 = +/- .005			