

# Installation Instructions

Model Number 1013-00

## Assembly Components:

- Articulating WAP and Antenna Mount – 1 each
- T-bar bracket – 1 each
- #8 - 32 x 3/16" screw (for attaching access point mounting plate) – 4 each
- #8 - 32 x 5/8" screw (for attaching antenna) – 4 each
- #8 - 32 x 7/16" flat head screw (for attaching Antenna Mount) – 2 each
- #6 - 32 x 1/2" screw (for attaching antenna) – 4 each
- #6 - 32 x 1/4" screw (for attaching T-bar) – 2 each
- Wire tie (for cable management) – 2 each
- Dual-Lock Tabs – 4 each
- Installation Instructions – 1 each

If any of these items are missing, contact your Oberon representative.

**Step 1** – Pre-drill and partially thread #10 x 2" screws or wall anchors, not included, in the desired mounting location. If not using a Cisco Access Point, Attach the T-bar bracket to the mounting bracket with 2 #6-32 x 1/4" screws. Fasten the wall screws to studs or joists if possible. Slide the mount over the screw heads through the keyhole slots and finish securing the mount (Figure 1). Tighten the screws of the articulation bracket in the desired position.

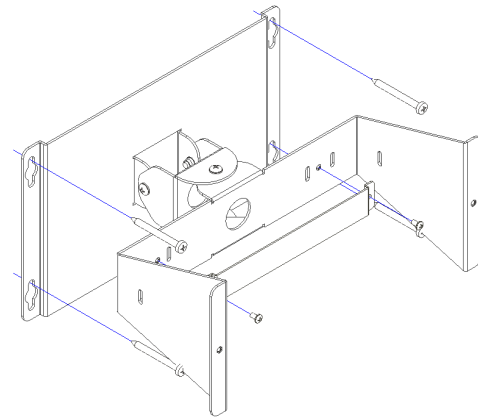


Figure 1

**Step 2a (Cisco Access Points Only)** – Use the legend on the back page to determine which hole pattern to use (Figure 6). Securely fasten the *access point's mounting bracket* to the back side of the Antenna Mounting Plate, side with press nuts, using the included (4) # 8-32 x 3/16" screws (Figure 2).

**Step 2b (Aruba Networks and other Access Points)** – Attach the T-bar clip to the T-bar bracket per the Access Point Manufacturer's instructions.

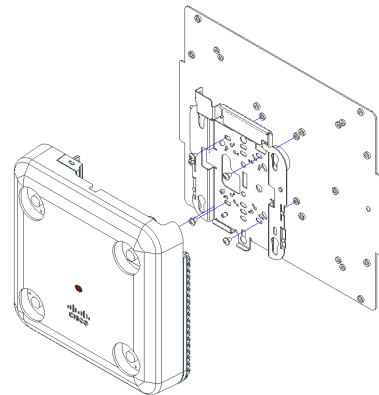


Figure 2

**Step 3** – Attach the Antenna Mounting Plate faced out with the two included #8-32 x 7/16" flat head screws (Figure 3).

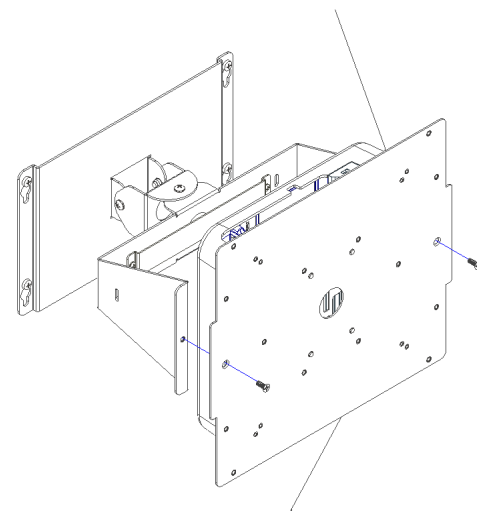


Figure 3

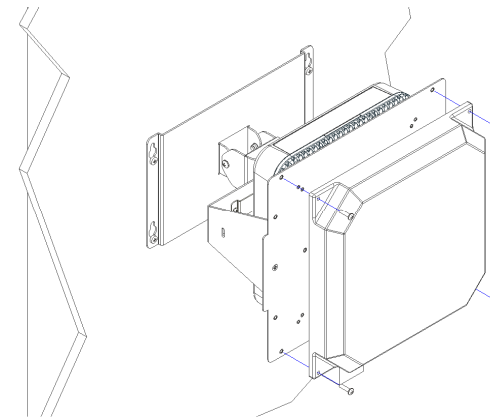


Figure 4

**Step 4** – Use the legend on the back page to determine which hole pattern to use (Figure 6) for antenna attachment. Use #8-32 x 5/8" screws to attach Cisco antennas and #6-32 x 1/2" screws for Aruba Antennas (Figure 4). If no hole pattern is available, use the provided Dual-Lock Tabs to adhere the antenna to the Antenna Mounting Plate. Peel one side of both pairs and apply to the clean backside surface of the antenna. Peel the other side of the Dual-Lock Tabs and adhere to the Antenna Mounting Plate.

**Step 5** – Use the provided wire ties to secure antenna cables to the mount. Tighten the screws snugly in the four locations shown in Figure 5 for the desired position of the antenna.

**Step 6** – Run the data and power cable (if required) to the access point.

Installation is complete.

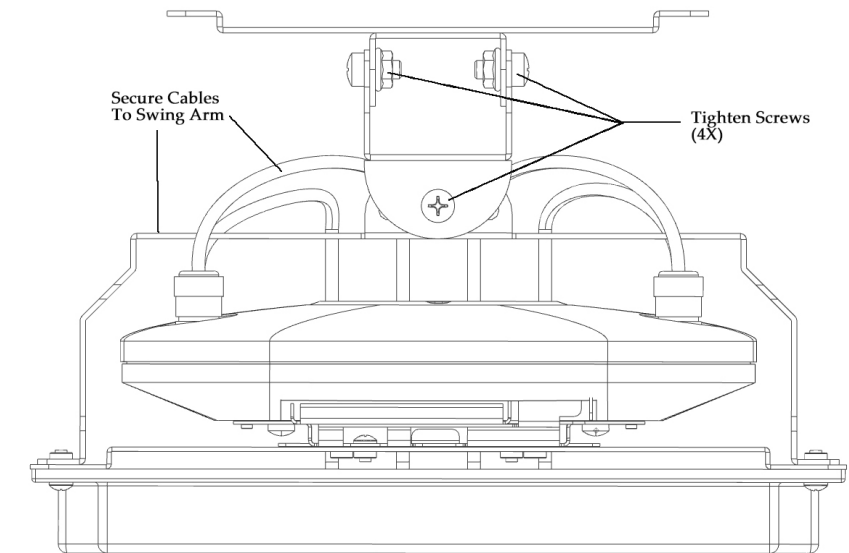


Figure 5

**⚠️ \*\*IMPORTANT\*\*** - It is important that the mount is securely fastened to the wall or ceiling to prevent human injury or damage to the access point.



## MODEL 1013-00

### Installation Instructions

- A: Cisco AIR-AP-BRACKET-1
- B: Cisco AIR-AP-BRACKET-2
- C: Cisco AIR-ANT2566P4W-R
- D: Cisco AIR-ANT2566D4M-R
- E: Aruba Networks AP-ANT-28 and -38
- F: Aruba Networks AP-ANT-17, -18, -25, and -35
- G: Additional T-Bar Mount
- H: Antenna Mounting Plate attachment

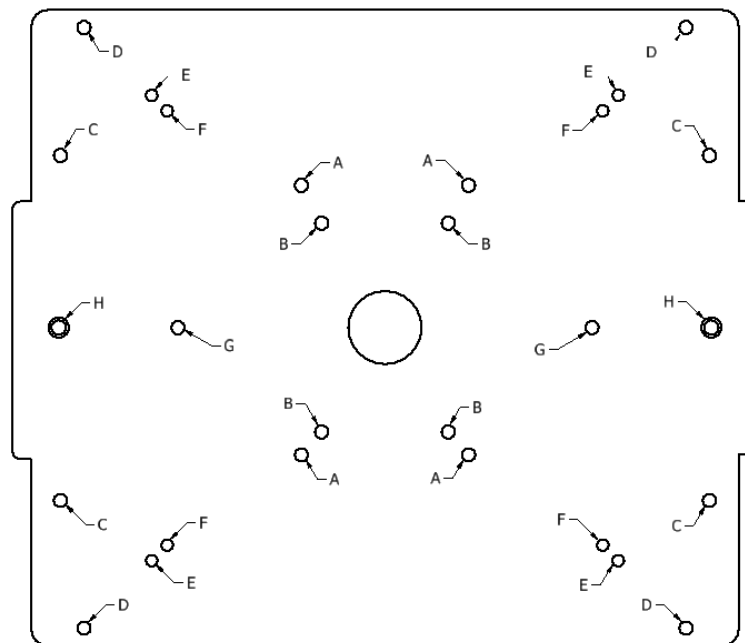


Figure 6

### \*\*\*\* WARNING \*\*\*\*

**Please thoroughly read the product warning below before installation to provide for a safe work environment.**

1. Always consider the hazard to other people:
  - a. During installation, use warning signs, etc.
  - b. Don't work with people directly below the work area as equipment could fall and cause an injury
2. Be sure to securely fasten the mount to the wall to prevent the mount from becoming dislodged.