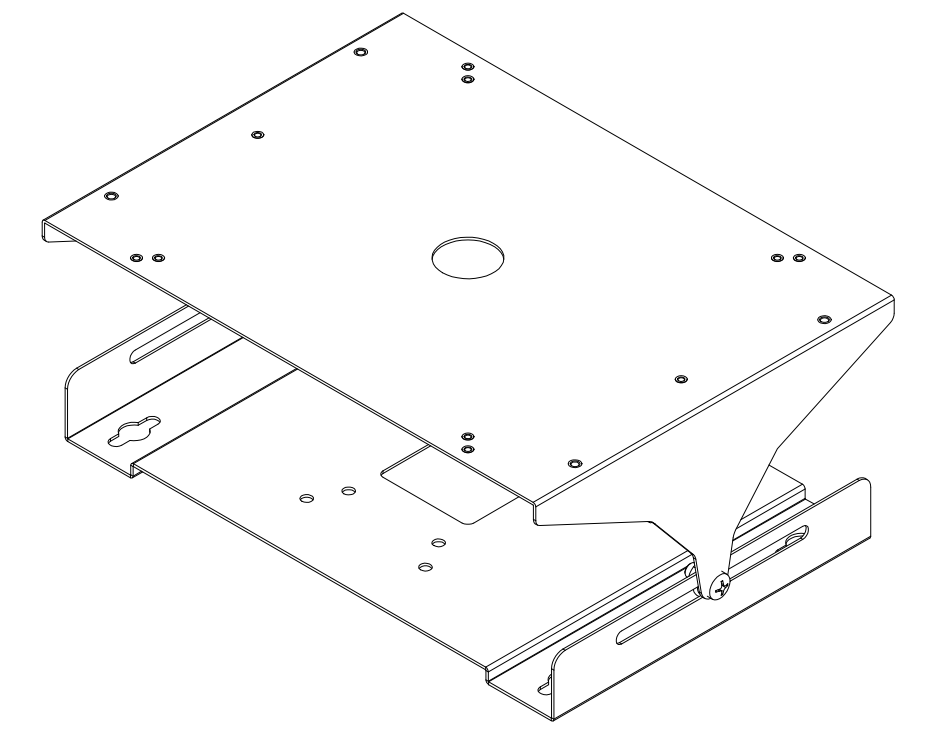
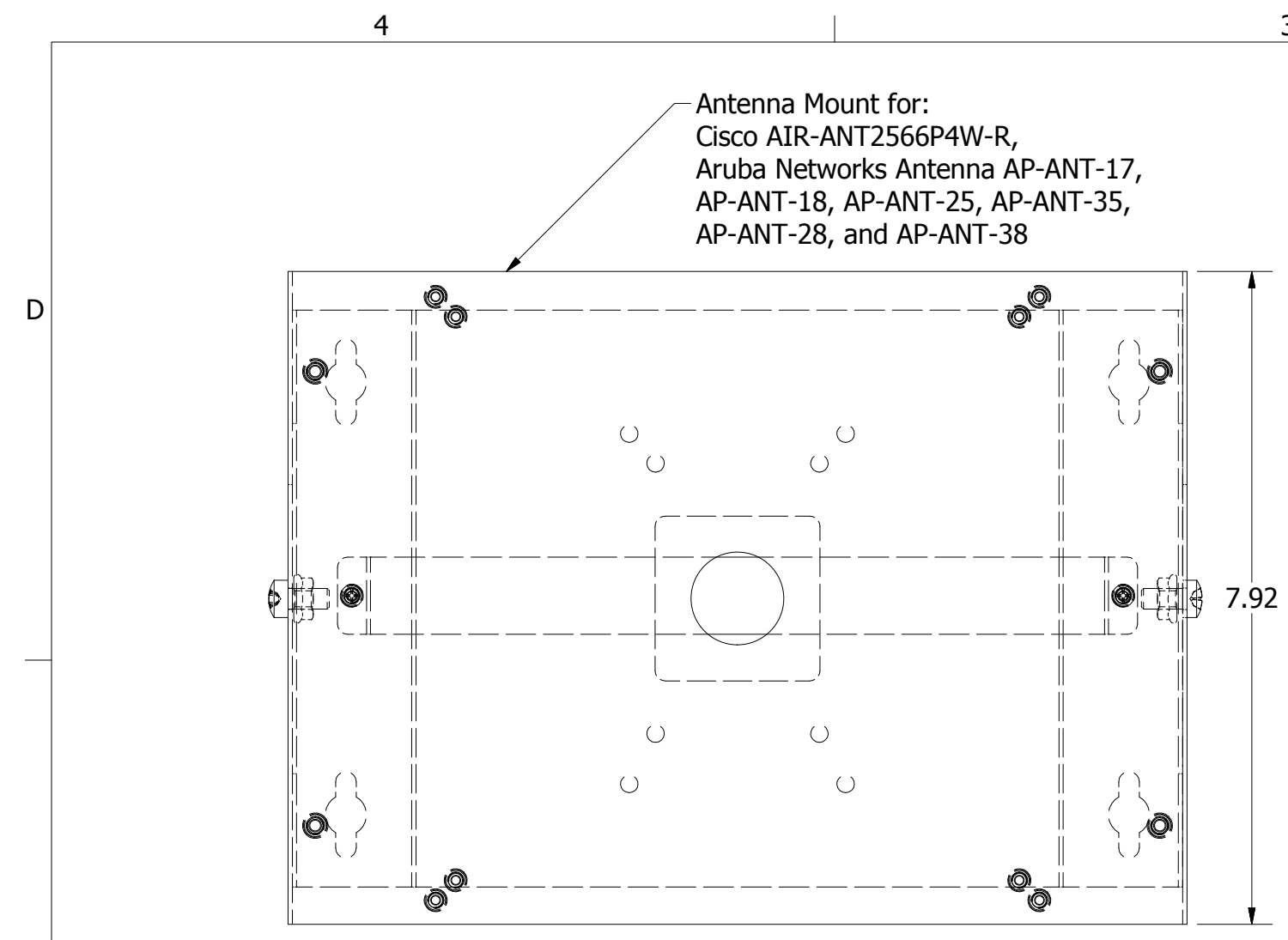
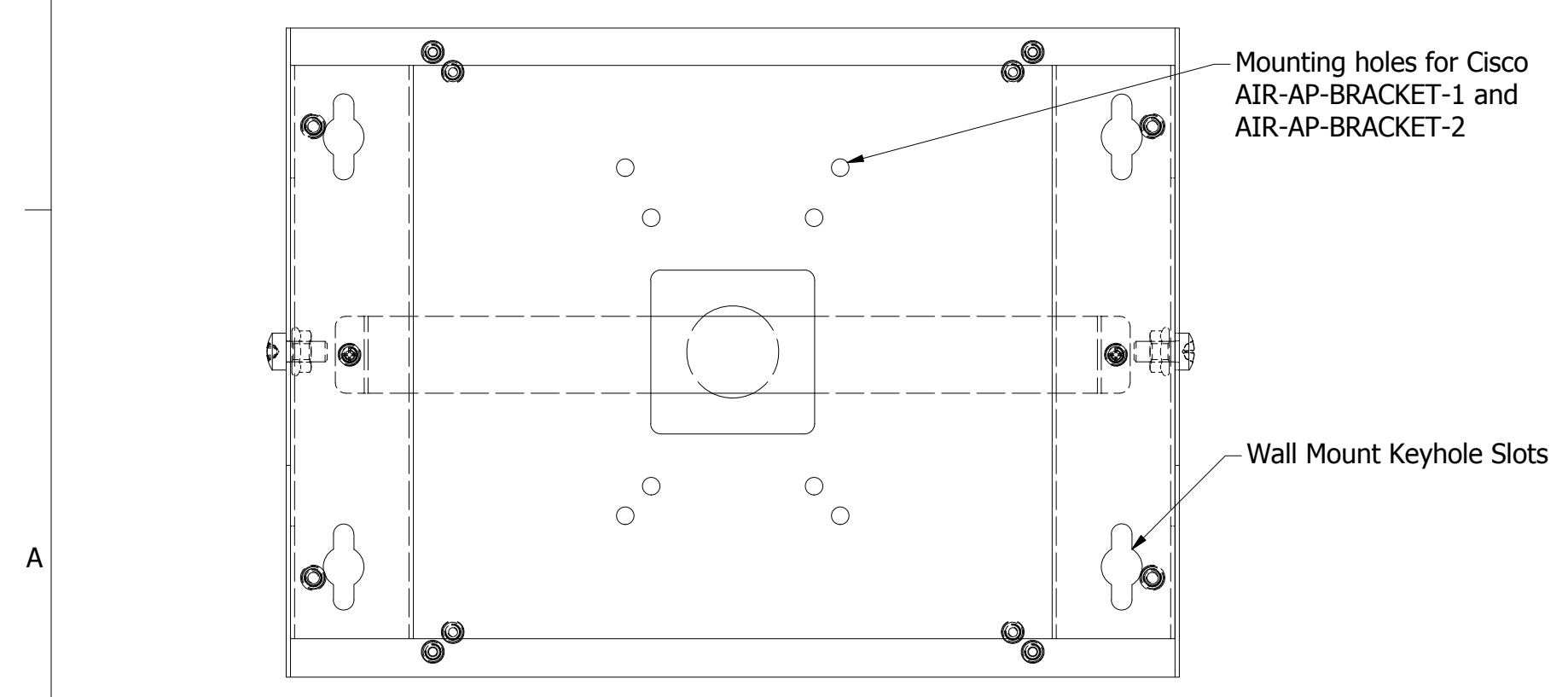
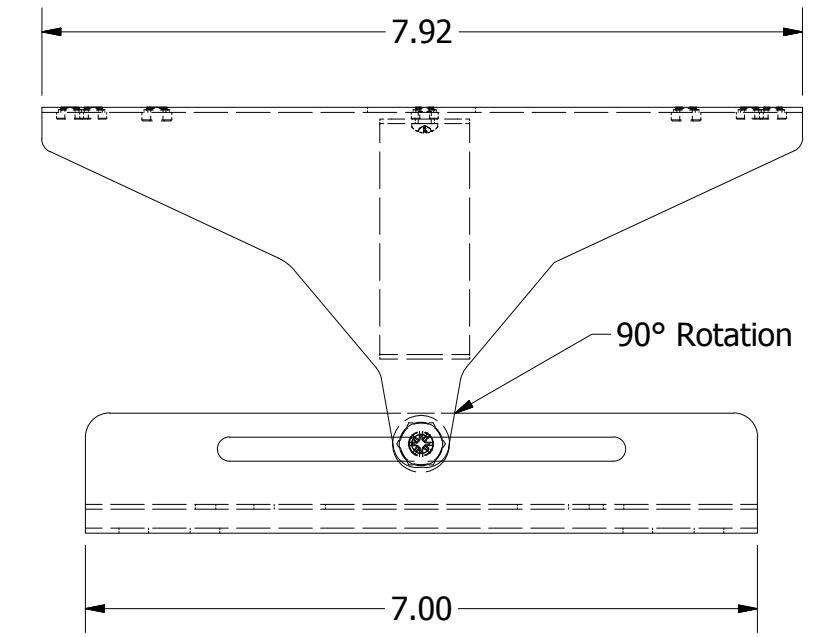
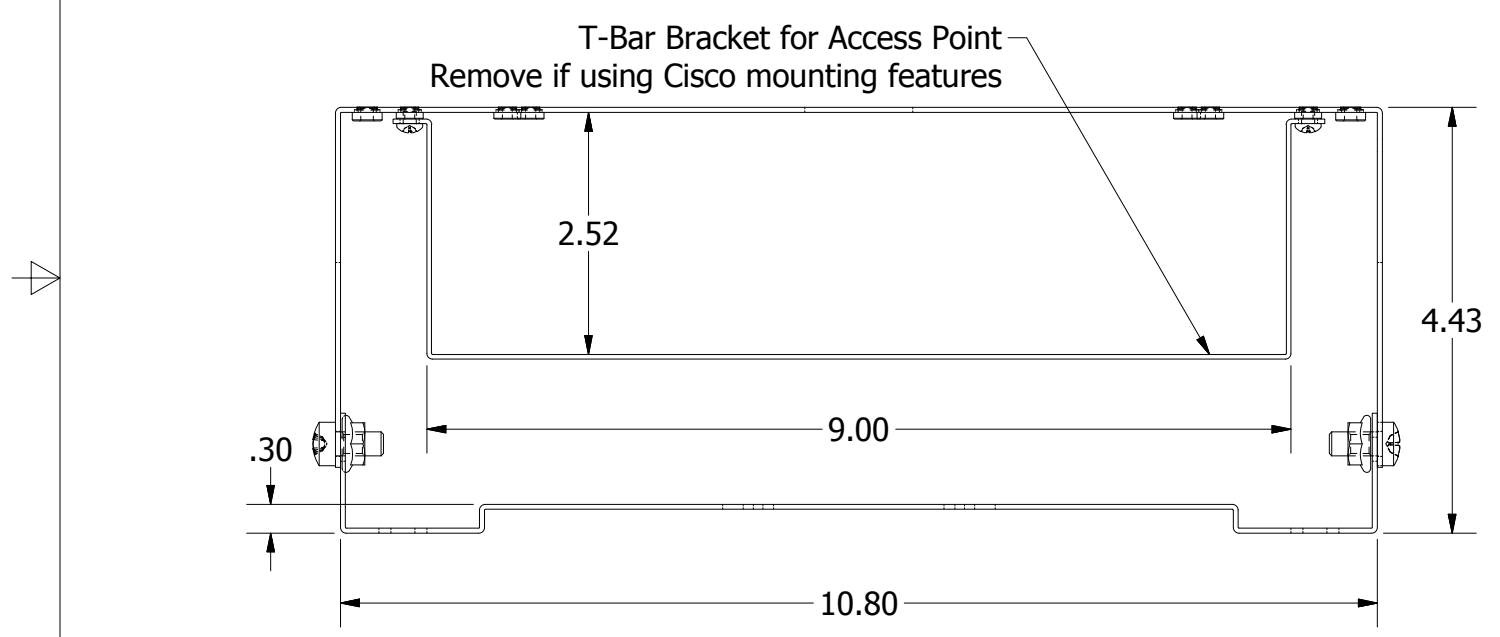


REVISION HISTORY				
ZONE	REV	DESCRIPTION	DATE	APPROVED
All	1	Released	12/31/2015	EAS



ISOMETRIC VIEW

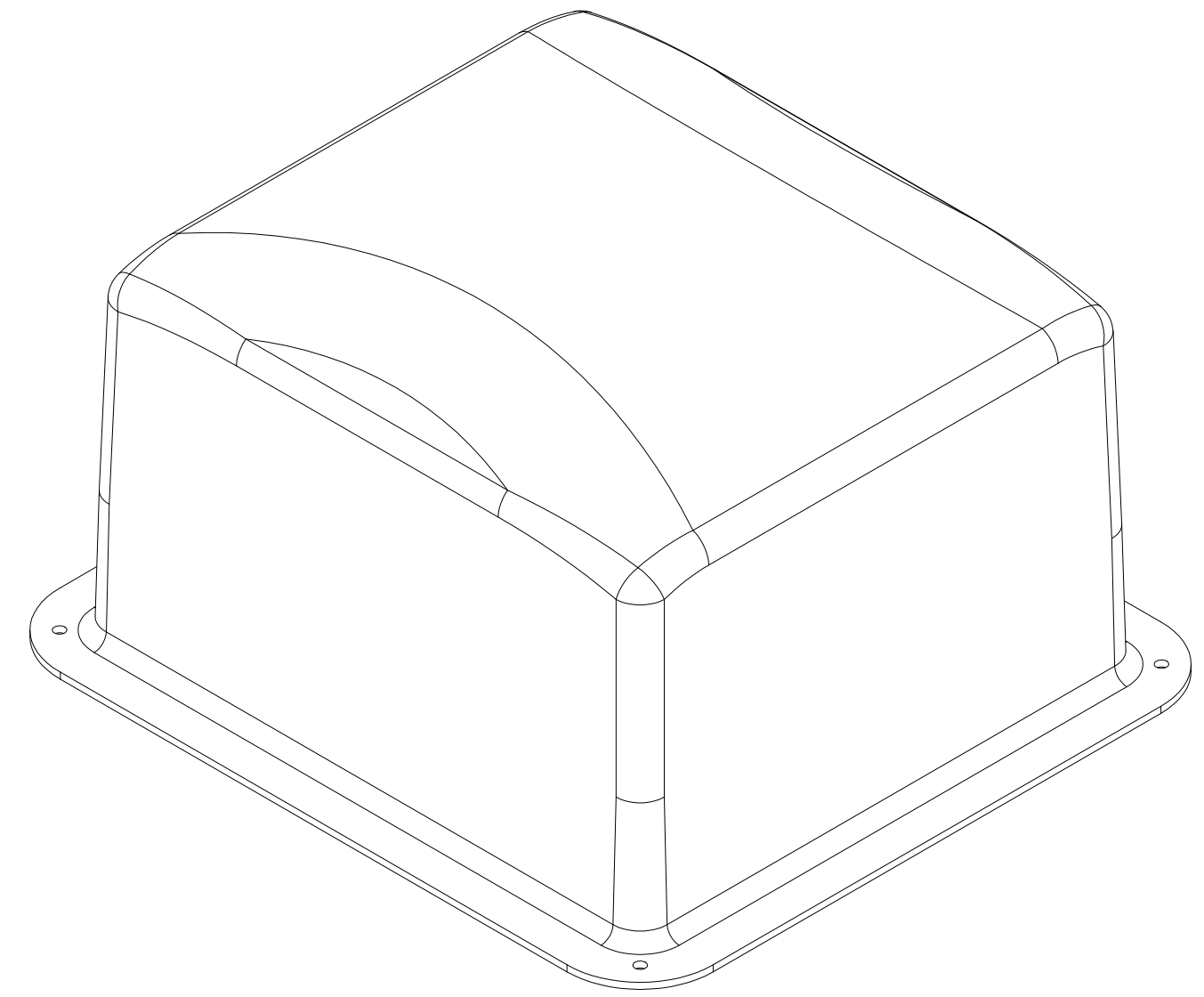
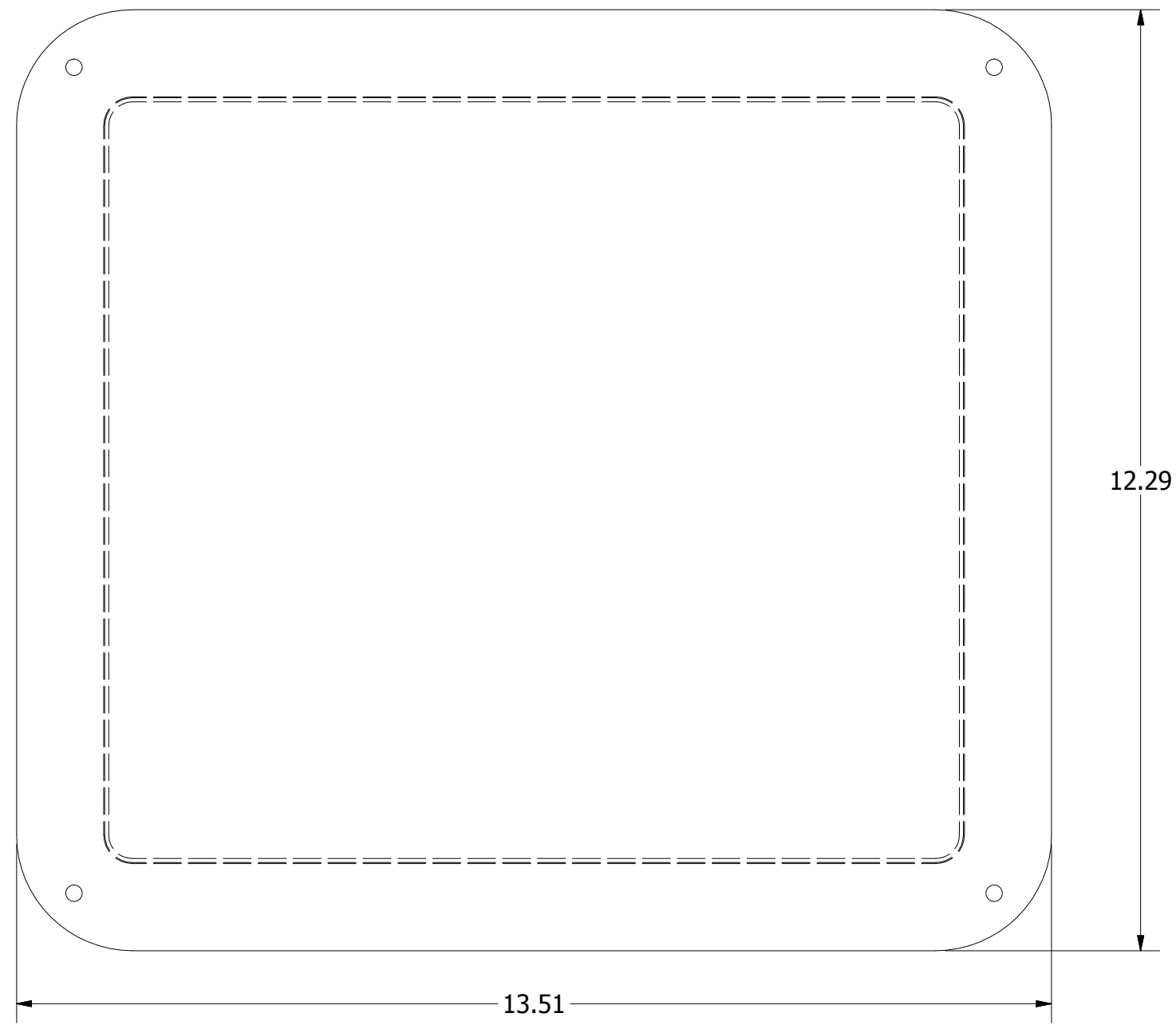


**NOTE:**

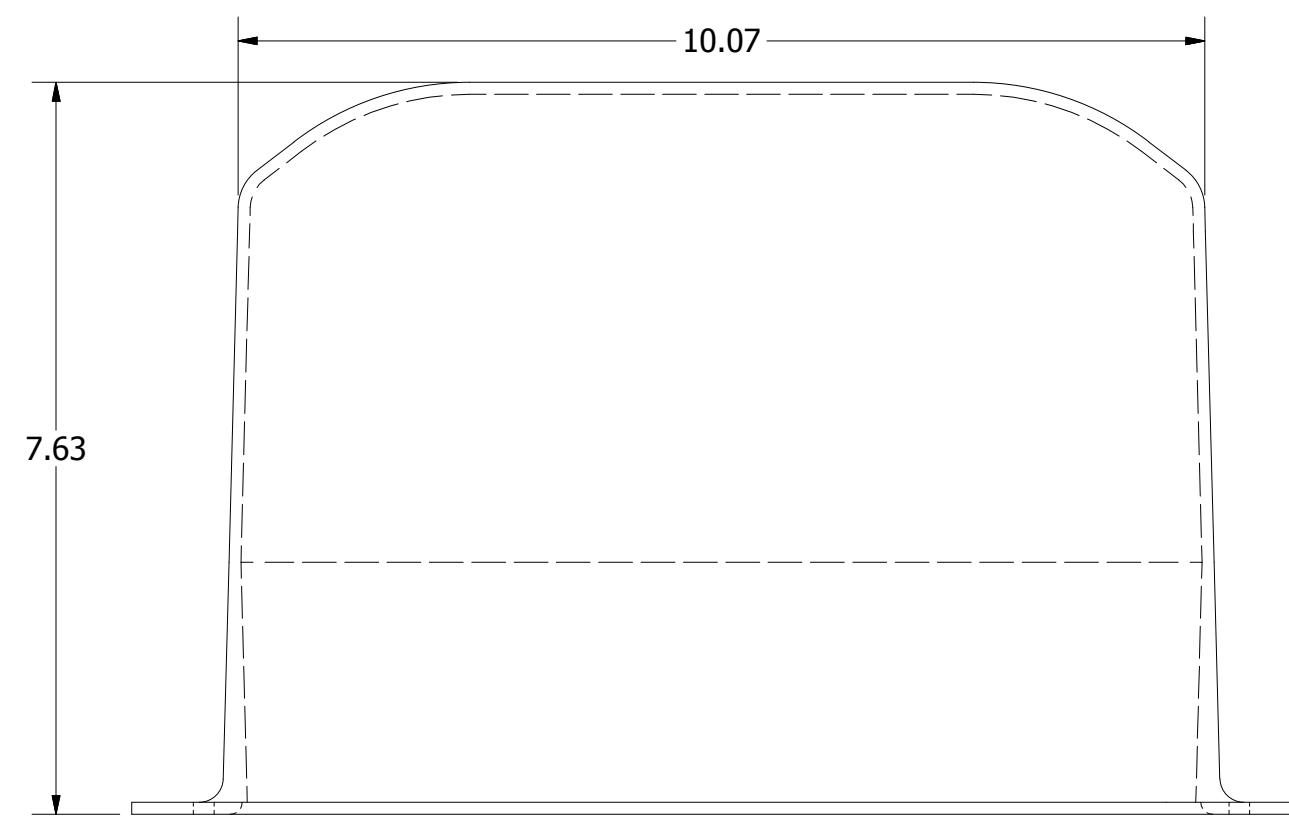
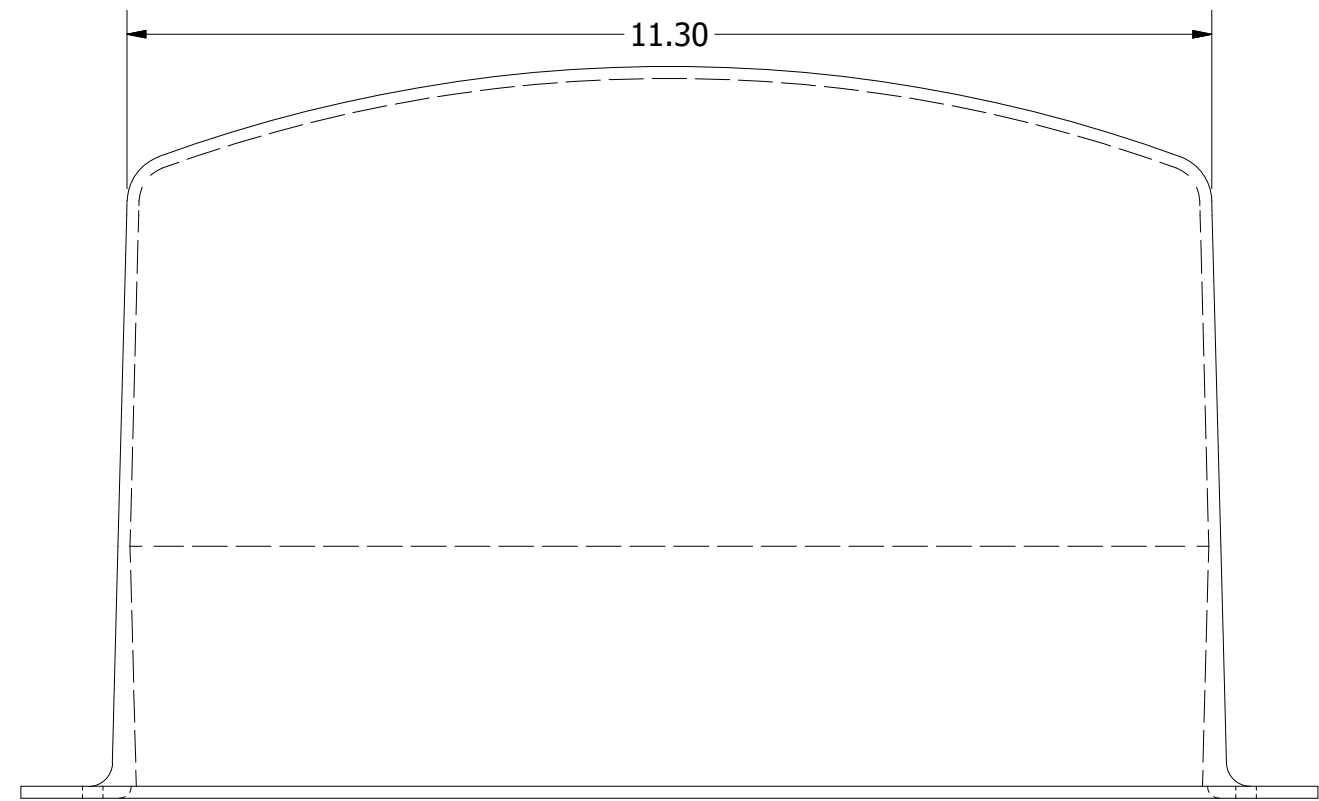
- Bracket Material: 18 Ga. Galvanized Steel, no finish
- Cover Material: White ABS
- Includes:
  - (1) Adjustable Mounting Bracket
  - (1) White Vanity Cover
  - (4) Screw Head Caps
  - (1) T-bar Bracket

DRAWN EAS	12/31/2015	Oberon, Inc. - 1315 S. Allen St. - State College, PA 16801		
CHECKED EAS	1/4/2016	TITLE		
QA		Model 1014-00 Customer Print		
MFG EAS	1/4/2016	SIZE C	DWG NO 2475	REV 1
APPROVED EAS	1/4/2016	SCALE	SHEET 1 OF 2	
TOLERANCE:				
	.0 = +/- .030			
	.00 = +/- .015			
	.000 = +/- .005			

White Cover



ISOMETRIC VIEW



DRAWN EAS	12/31/2015	Oberon, Inc. - 1315 S. Allen St. - State College, PA 16801		
CHECKED EAS	1/4/2016	TITLE		
QA		Model 1014-00 Customer Print		
MFG EAS	1/4/2016	SIZE C	DWG NO 2475	REV 1
APPROVED EAS	1/4/2016	SCALE	SHEET 2 OF 2	
TOLERANCE:	.0 = +/- .030 .00 = +/- .015 .000 = +/- .005			