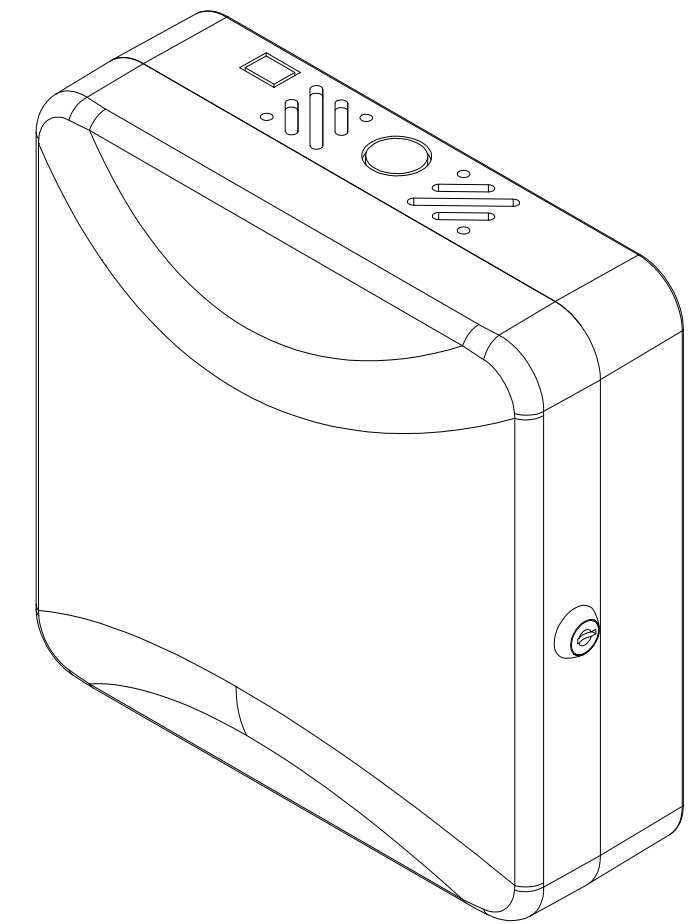
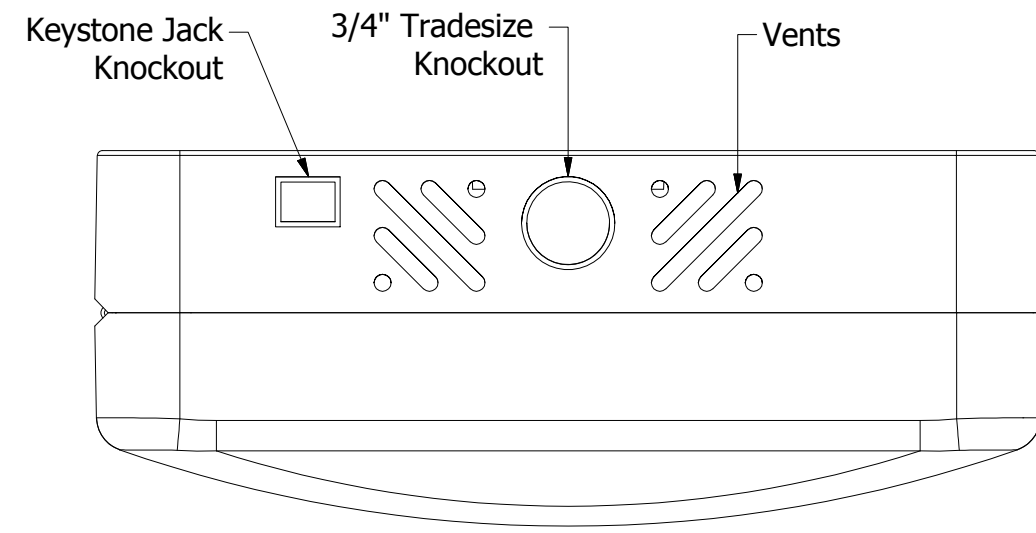
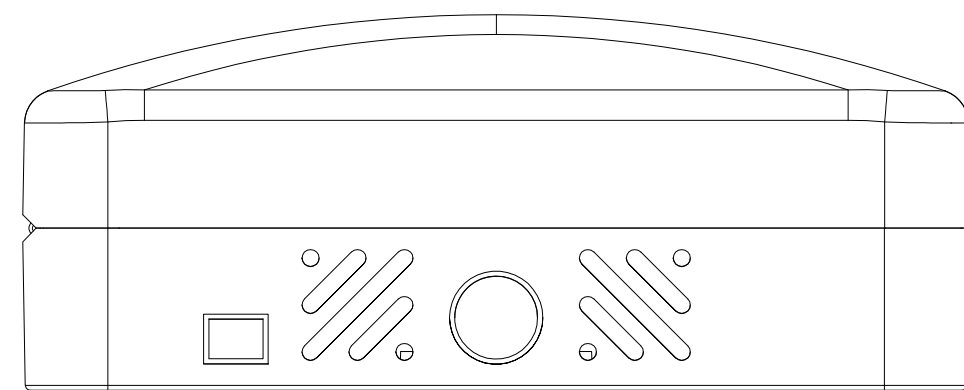
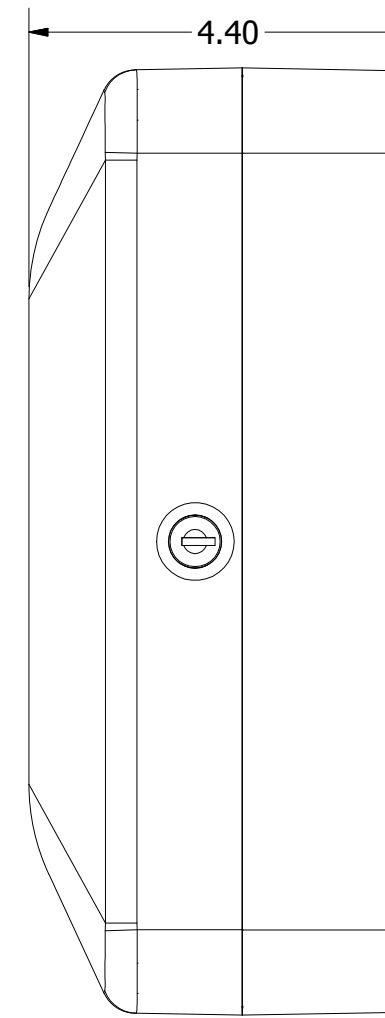
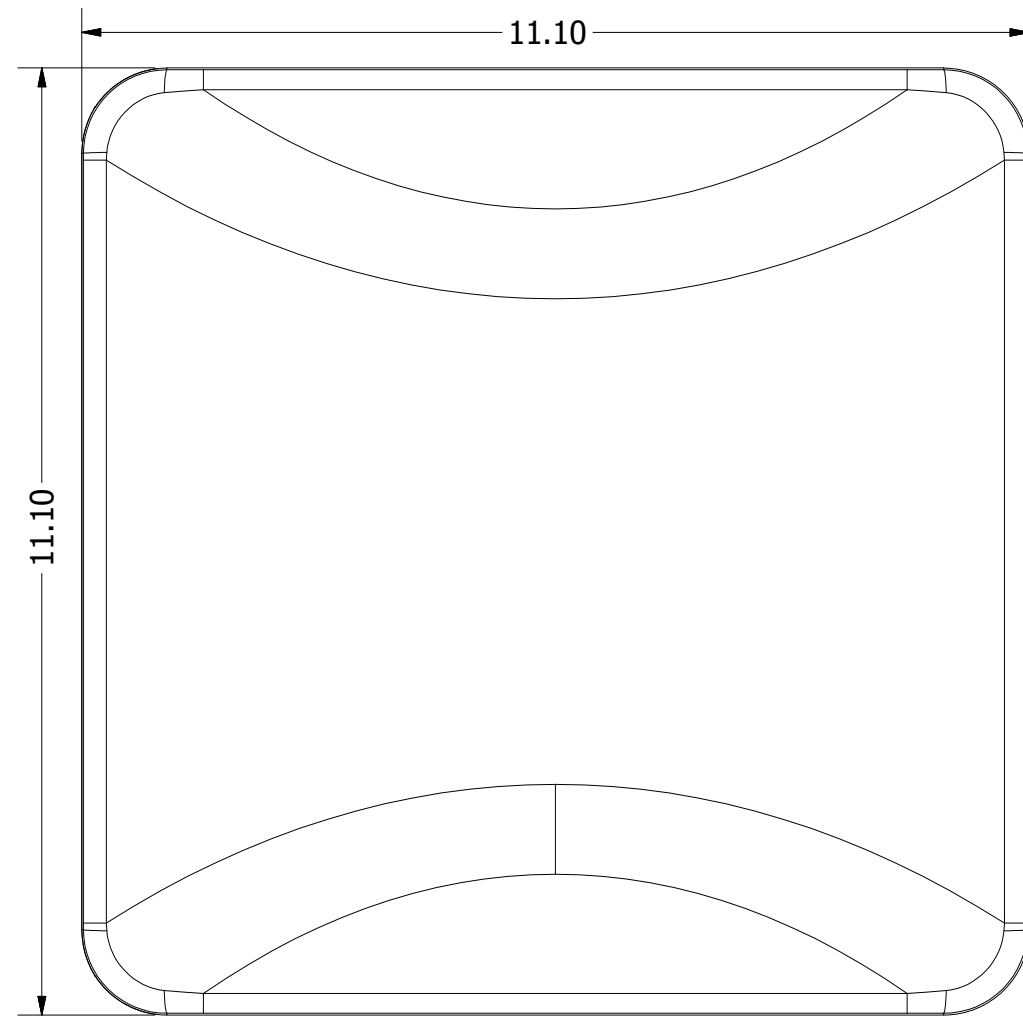
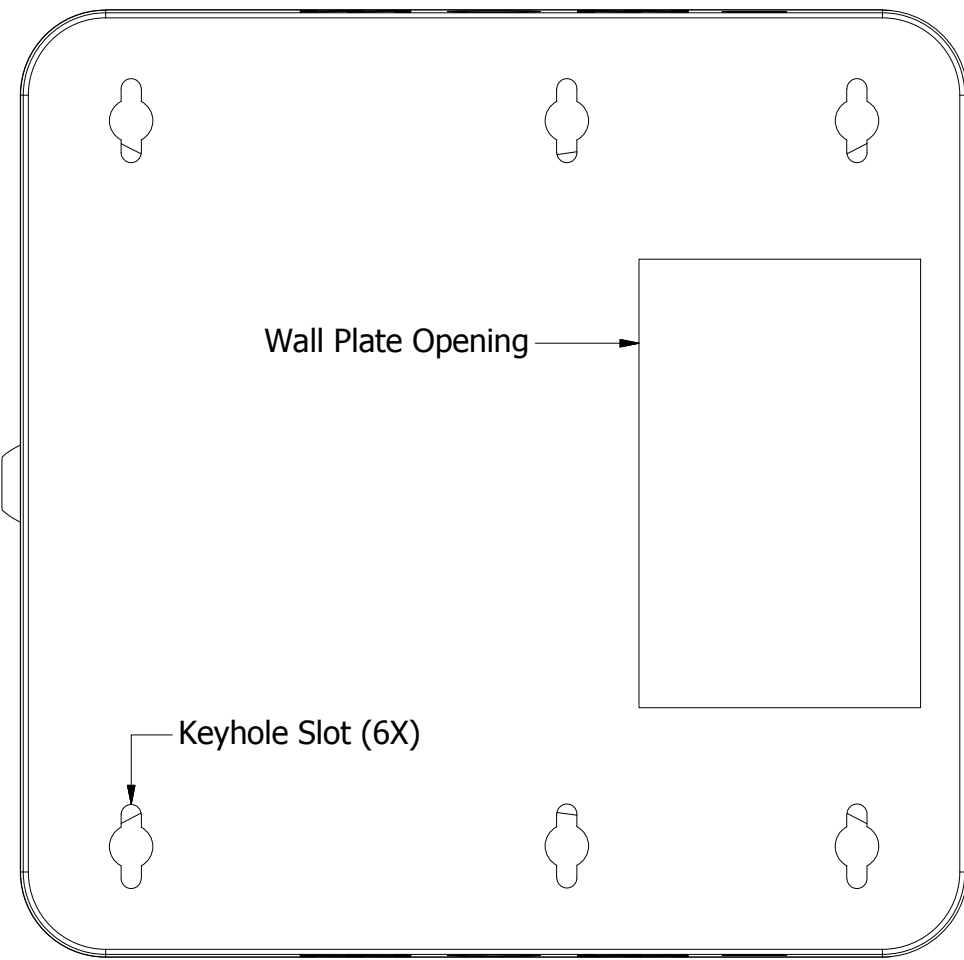


REVISION HISTORY				
ZONE	REV	DESCRIPTION	DATE	APPROVED
All	1	Released	7/31/2013	RLC
All	2	Added vents and #6 Flat Head Screws	5/20/2016	EAS



Back



NOTE:

- Material: ABS plastic w/keyed lock and hinge
- Color Options:
 1015-00 - White cover
 1015-C - Frosted clear cover
 (both options have a white base)
- Weight: 3 lbs
- Mounts most access points with integrated antennas using Oberon's universal "T-Bar" mount
- Includes: (1) Universal T-Bar Bracket
 (4) 6 x 1/4" Flat Head Screw
 (2) 1/2" O.D. Nylon Spacer
 (2) 6 x 7/8" Screw
 (2) 6-32 x 1/4" Screw
 (1) Model 1015 Label
 (1) Instruction Sheet
 (2) Keys

DRAWN	7/31/2013	Oberon, Inc. - 1315 S. Allen St. - State College, PA 16801		
CHECKED		TITLE		
RLC	7/31/2013	TITLE		
QA		TITLE		
MFG		Model 1015 Enclosure		
RLC	7/31/2013	Model 1015 Enclosure		
APPROVED		Model 1015 Enclosure		
SDT	7/31/2013	Model 1015 Enclosure		
TOLERANCE:	.0 = +/- .030	SIZE	DWG NO	REV
	.00 = +/- .015	C	1015-XX	1
	.000 = +/- .005	SCALE		
			SHEET 1 OF 1	