

MODEL 1016-00 and 1016-C

Installation Instructions

Oberon's model 1016 is a rugged polycarbonate surface mount lock box designed to secure and protect wireless equipment. The 1016 is ideal for protecting campus wireless access points and antennas or organizing wireless routers and other network gear in a small professional office. The polycarbonate construction is durable and is virtually transparent to wireless signals. The 1016 includes Velcro straps and tie wraps to assist in interior cable management. The 1016 is ideal for securing wireless networking components, and facilitating a clean, professional installation.

Installation Instructions

Model Numbers 1016-00 and 1016-C

Assembly Components:

- Wall / Ceiling Enclosure, Model 1016-00 OR 1016-C assembly – 1 each
- Keys for access door lock – 2 each
- T-Bar Bracket – 1 each
- 100 in. roll of Velcro – 1 each
- Shelf – 1 each
- Cable ties – 10 each
- #6-32 screws – 4 each

If any of these items are missing, contact your Oberon representative.

Step 1a – (Most vendor's Access Points) Attach the access point's ceiling grid clip to the T-Bar bracket using the access point's instructions for mounting to a ceiling T-Bar. The T-Bar can be positioned to best meet the orientation of the access point by using the second set of bosses. If using an Aruba Networks AP with external antennas, fasten the T-Bar Bracket as indicated (Ref. Figure 1).

Step 1b – (Cisco Access Points Only) Open the enclosure door and remove the T-Bar Bracket. Fasten Cisco's AIR-BRACKET-1 or 2 to the designated bosses with the #6-32 screws (Ref. Figure 1). Mount the AP and deploy the antennas if necessary (Ref. Figure 2).

NOTE: Aruba Networks includes the ceiling grid clips. Cisco APs include AIR-BRACKET-1 or 2

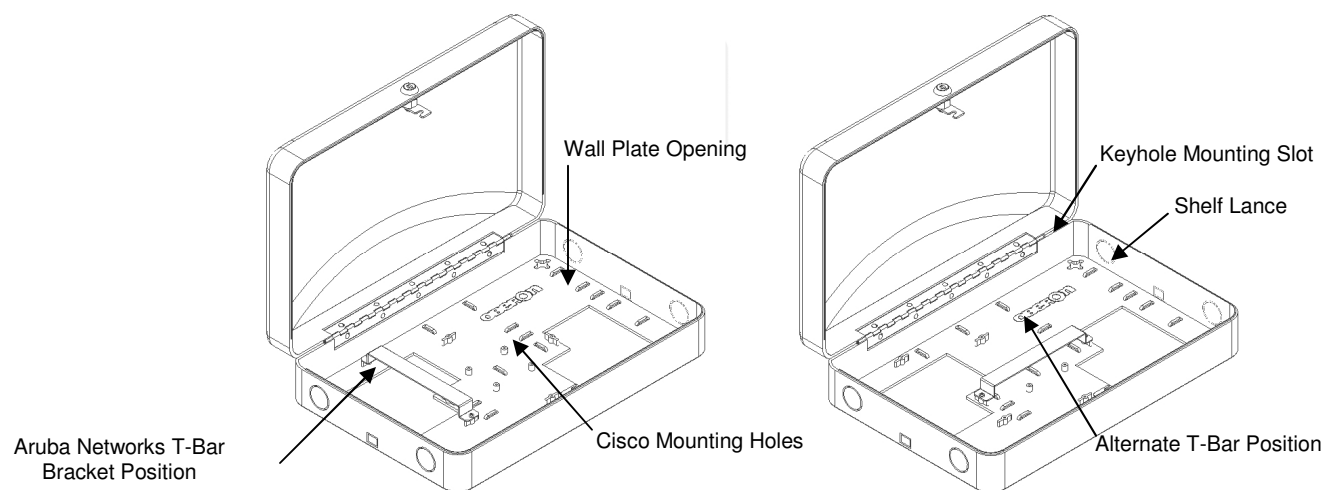


Figure 1 - Model 1016-00 Features

Step 2 – Mount the enclosure on a wall or hard lid surface using the four (4) keyholes located on the four corners to mount the enclosure to the surface using screws and anchors (not included). The outer keyhole slots are maximum 16" apart to mount easily on studs.

Step 3 – Openings in the back of the enclosure allow the enclosure to be placed over a datacomm wall plate. This will help to secure the datacomm connection.

Step 4 – Place the enclosure against the surface to which it will be mounted and mark the hole locations to drill pilot holes.

Step 5 – Set the enclosure to the side and drill holes for wall anchors. Install the wall anchors and mount the enclosure.

Step 6 – there are (4) 1" diameter twistouts for 3/4" trade size conduit connectors. There are (2) twistouts for RJ-45 keystone jacks. Open as required

Step 7 – Attach the access point to the previously installed access point mounting plate.

Step 8 – To mount other equipment, attach the shelves inside the cabinet in a pattern to accommodate the networking components to be placed in the cabinet. Place the networking components on the shelves, or fasten to back box (Figure 2). Cut and use the Velcro straps to secure the networking components. Wireless routers should be positioned as recommended by the manufacturer. "Desktop" styles can be placed on the shelf. "Wall mount" units may be attached to the back box. Do not block the wireless router with other components or cables.

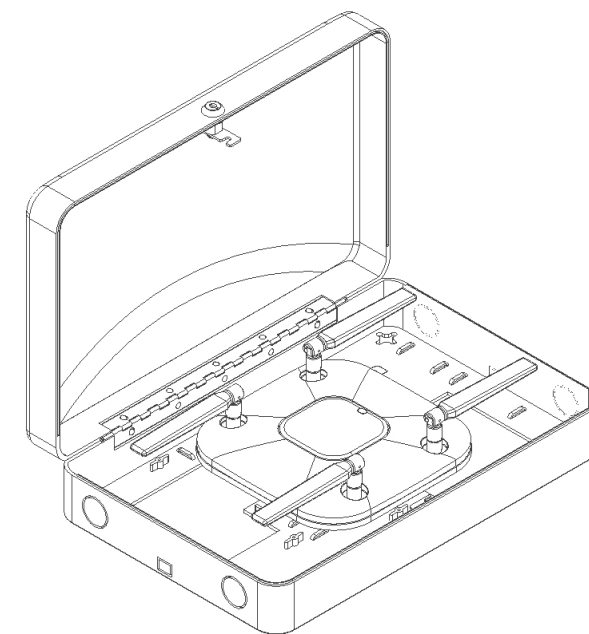


Figure 2 - 1016-00 Open with Cisco 3600e

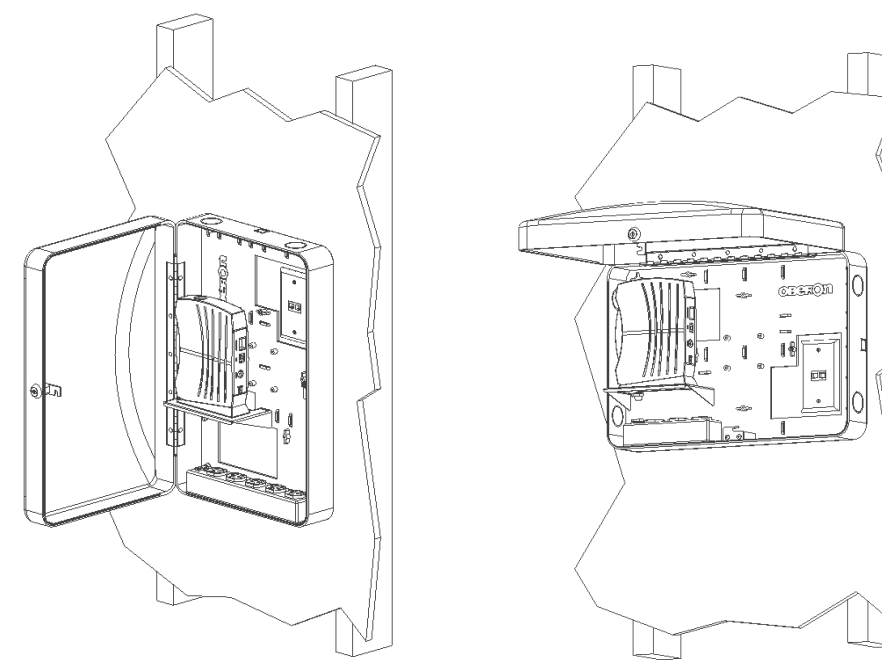


Figure 2 - 1016-00 Open with Shelf and Various Equipment

Step 9 – Power and interconnect the networking components. Use the Velcro straps and plastic ties to organize cabling.

Step 10 – Close and lock the door. Installation is now complete.