

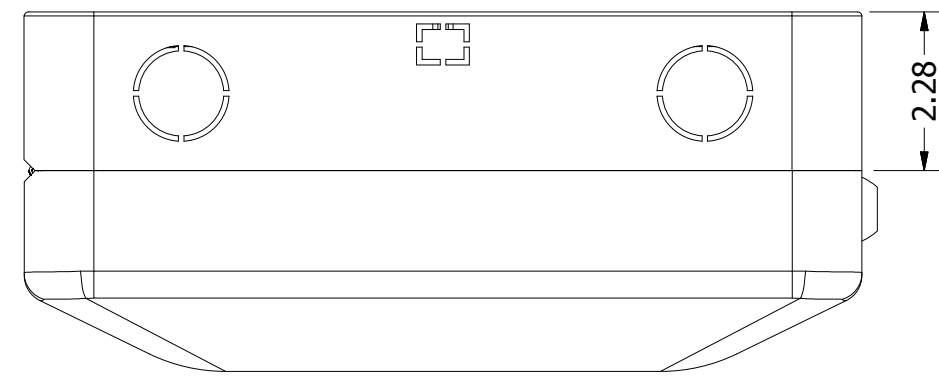
REVISION HISTORY				
ZONE	REV	DESCRIPTION	DATE	APPROVED
All	1	Released	2/15/2017	EAS

D

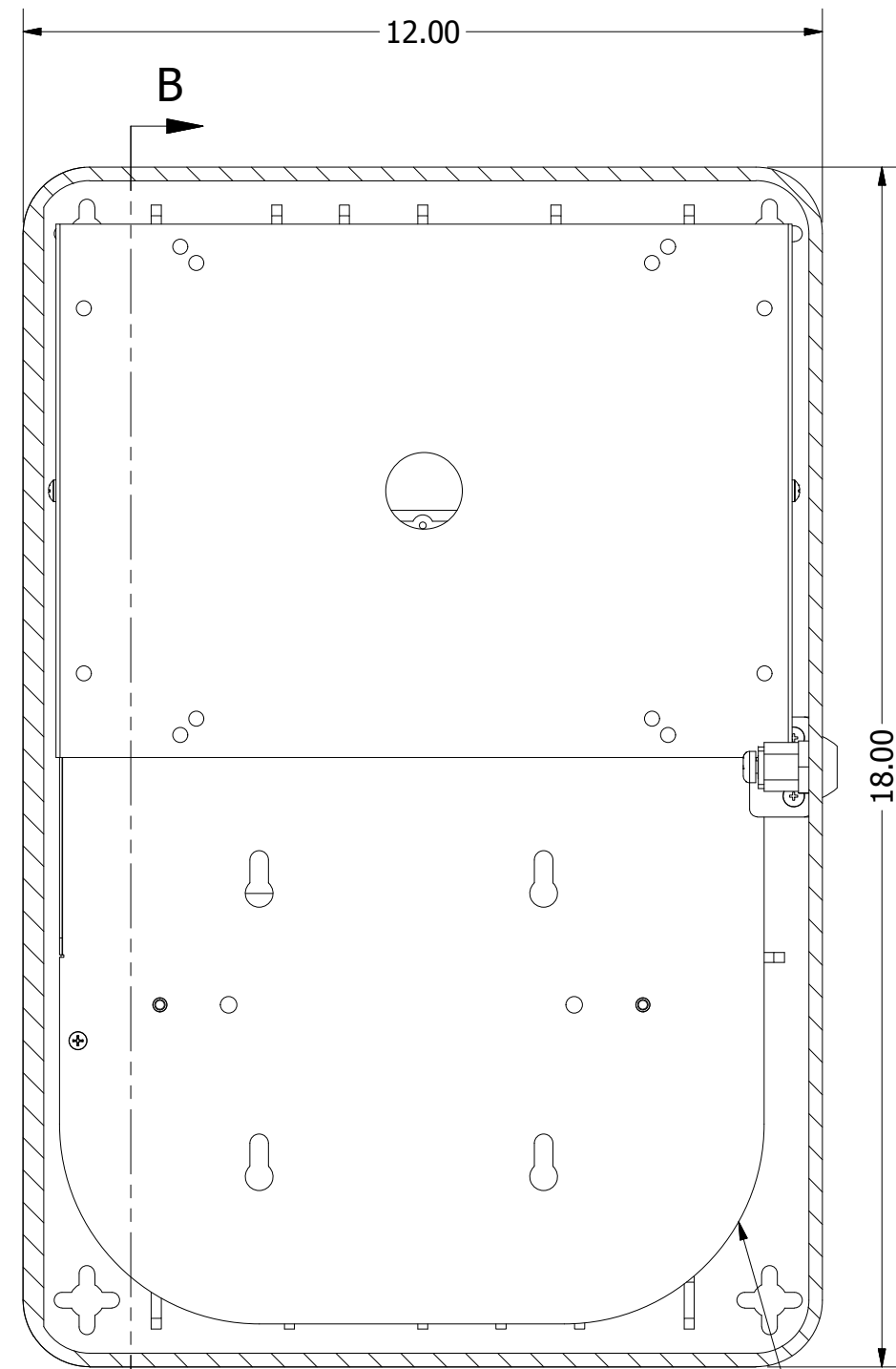
C

B

A



2.28



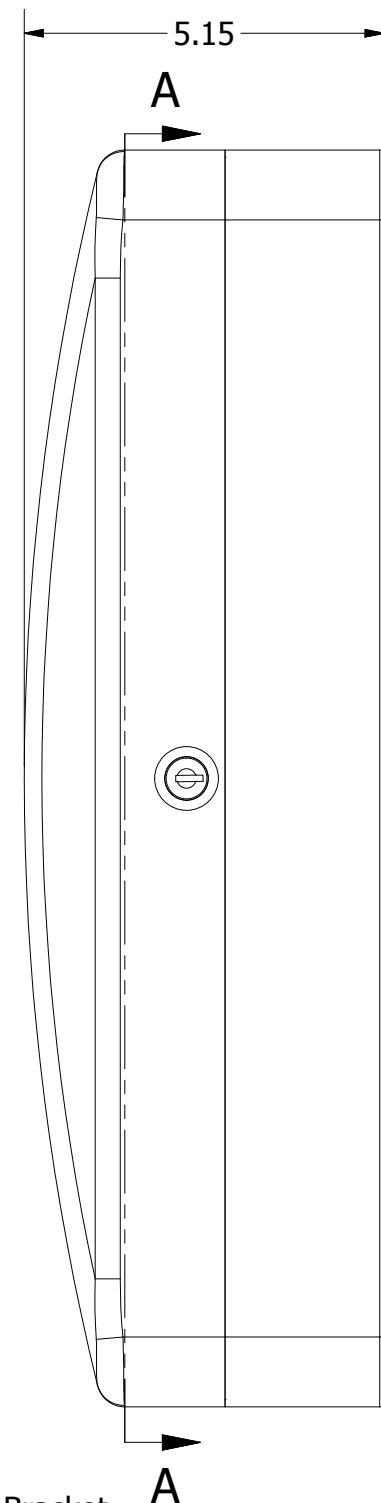
12.00

18.00

B

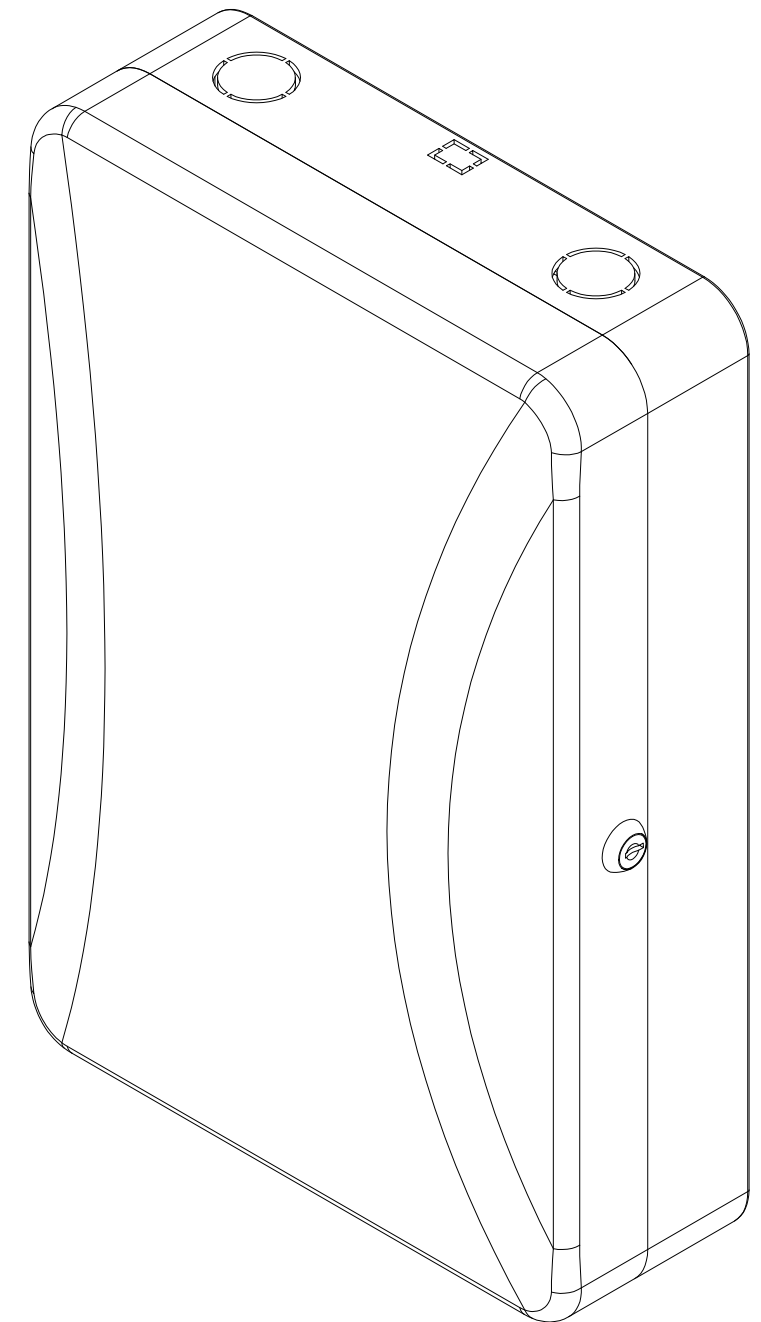
A

Access Point Mounting Bracket



5.15

A

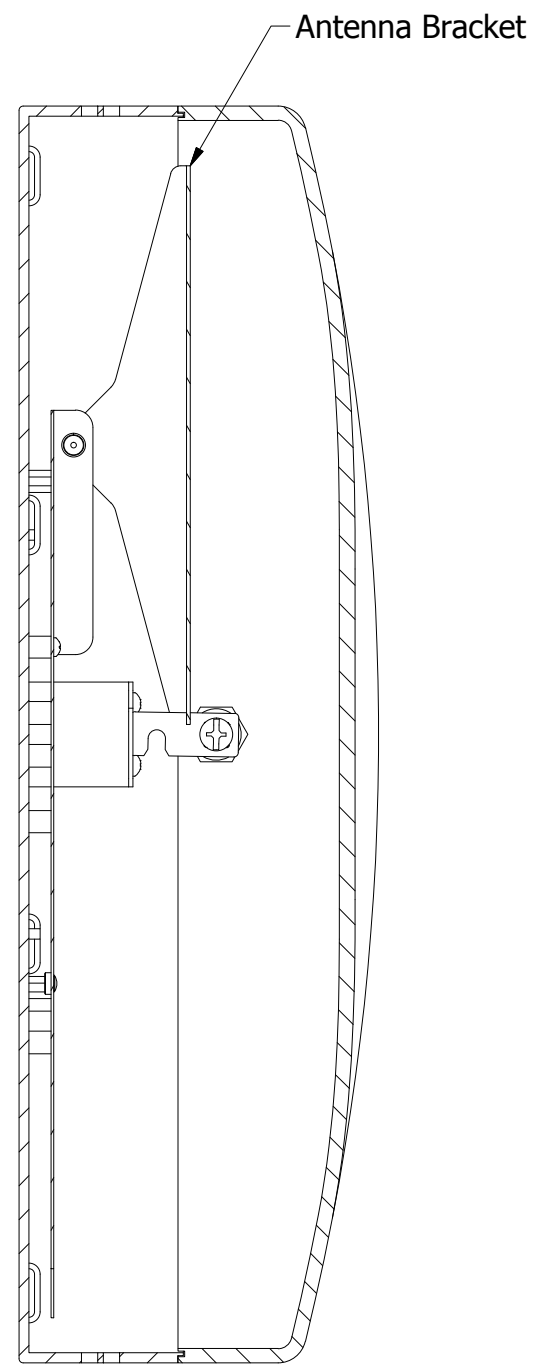


D

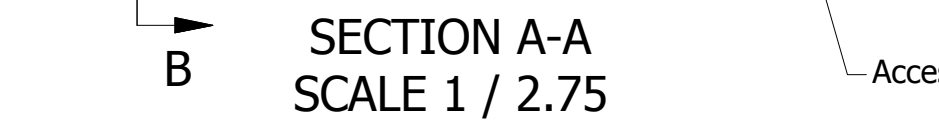
C

B

A



Antenna Bracket

SECTION B-B
SCALE 1 / 2.75SECTION A-A
SCALE 1 / 2.75

- Enclosure Material: Polycarbonate, UL94-V0, White Textured
 Antenna Bracket Material: 20 Ga. Galvanized Steel
 Includes:
- (1) Enclosure
 - (1) Antenna Bracket
 - (1) Access Point Mounting Bracket
 - (1) T-Bar Bracket
 - (7) #6-32 x 1/4" Screw
 - (8) #8-32 x 3/8" Screw
 - (2) #8 Lock Washer
 - (4) #8-32 Thumb Nut

- Antennas Supported:
- Cisco AIR-ANT2566P4W-R
 - Aruba AP-ANT-17
 - Aruba AP-ANT-18
 - Aruba AP-ANT-25
 - Aruba AP-ANT-35
 - Aruba AP-ANT-28
 - Aruba AP-ANT-38

DRAWN	EAS	2/15/2017	Oberon, Inc. - 1315 S. Allen St. - State College, PA 16801		
CHECKED	EAS	2/15/2017	TITLE		
MFG	EAS	2/15/2017	Model 1016-ANTPLATE Customer Print		
APPROVED	EAS	2/15/2017	SIZE	DWG NO	REV
TOLERANCE:		.0 = +/- .030	C	2990	1
		.00 = +/- .015			
		.000 = +/- .005			
			SCALE	SHEET 1 OF 1	

4

3

2

1

4

3

2

1