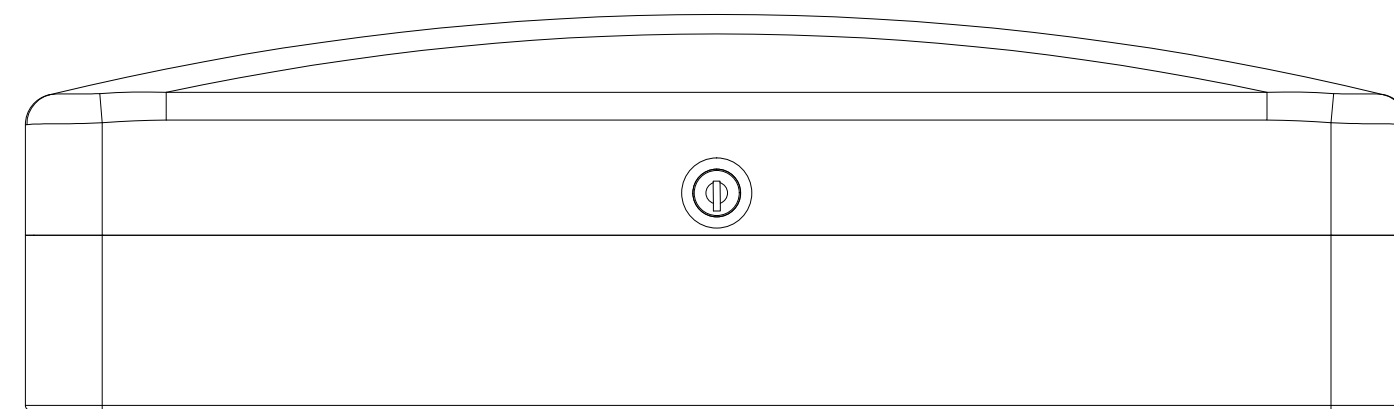
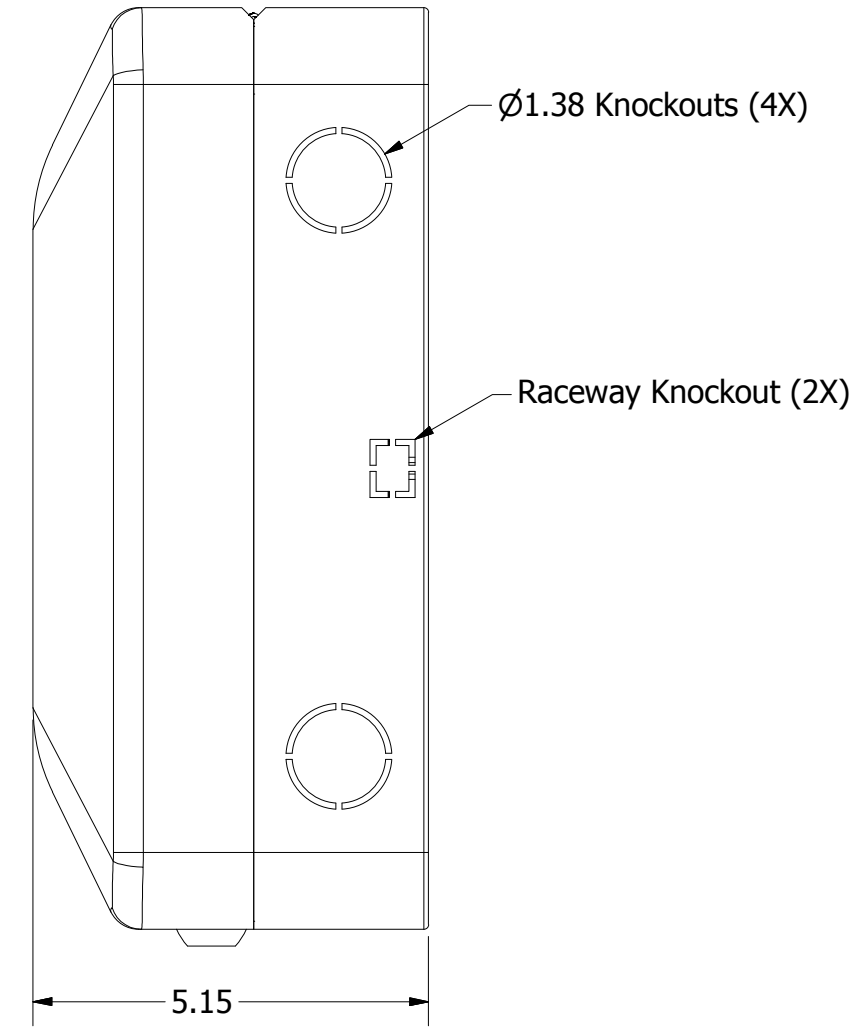
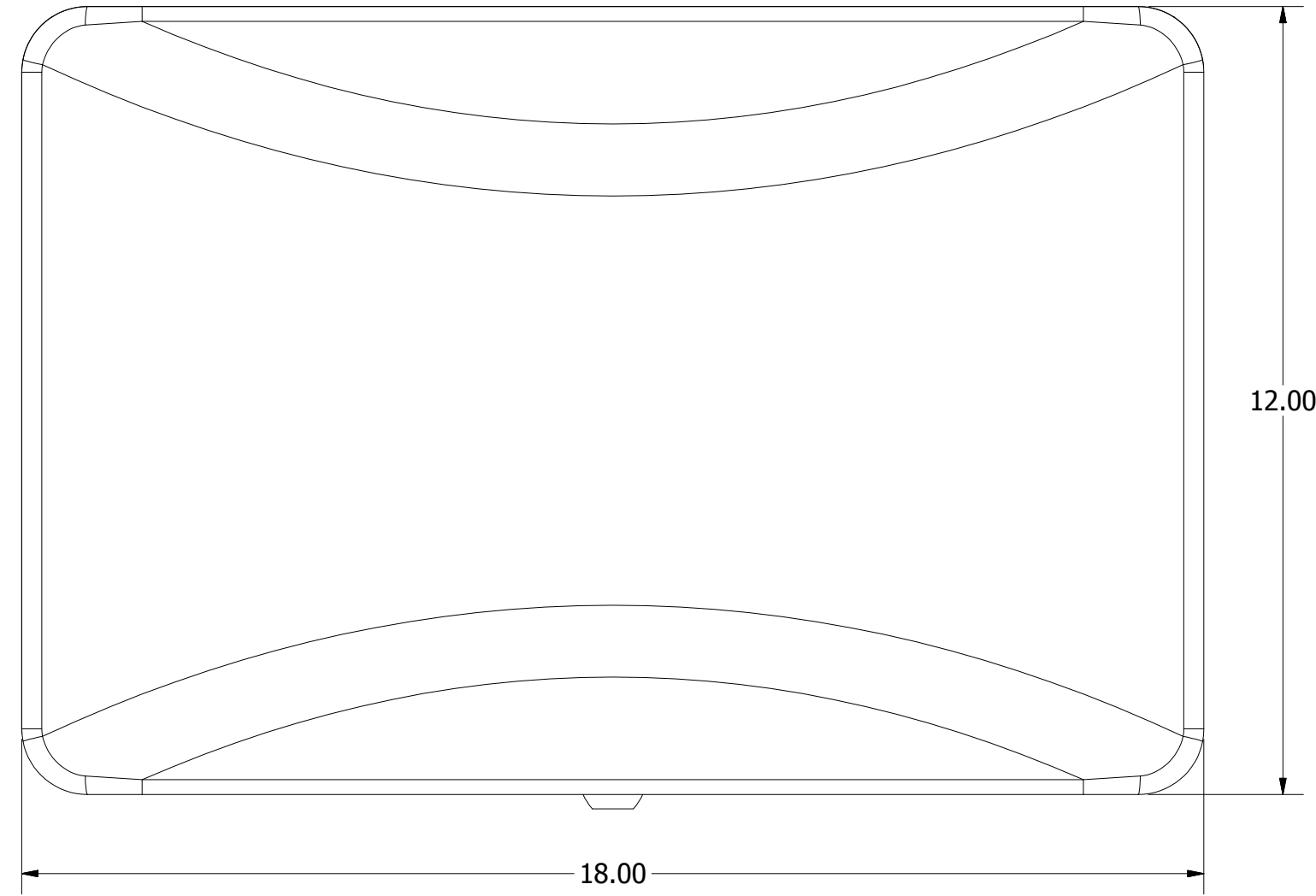
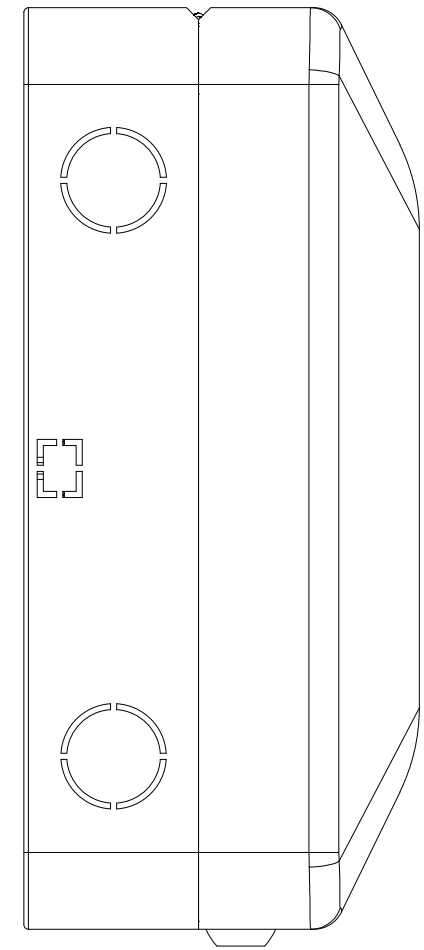


REVISION HISTORY				
ZONE	REV	DESCRIPTION	DATE	APPROVED
All	1	Released	2/18/2014	EAS



**NOTE:**

-Material: UL94-V0 Polycarbonate plastic w/keyed lock and hinge

-Color Options:

1016-00 - White cover

1016-C - Frosted clear cover

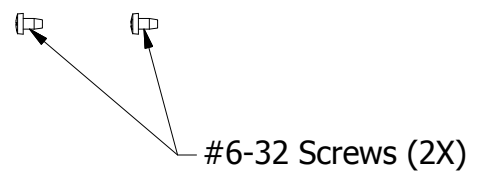
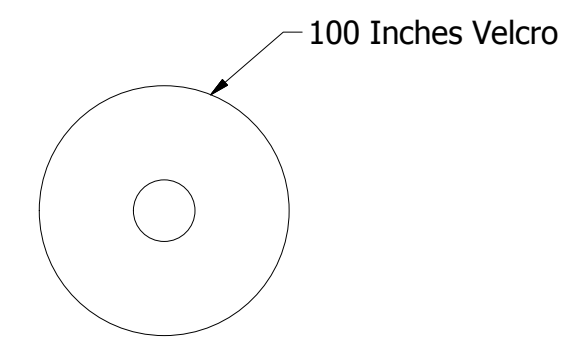
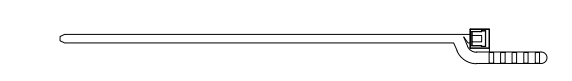
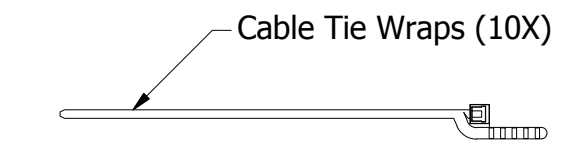
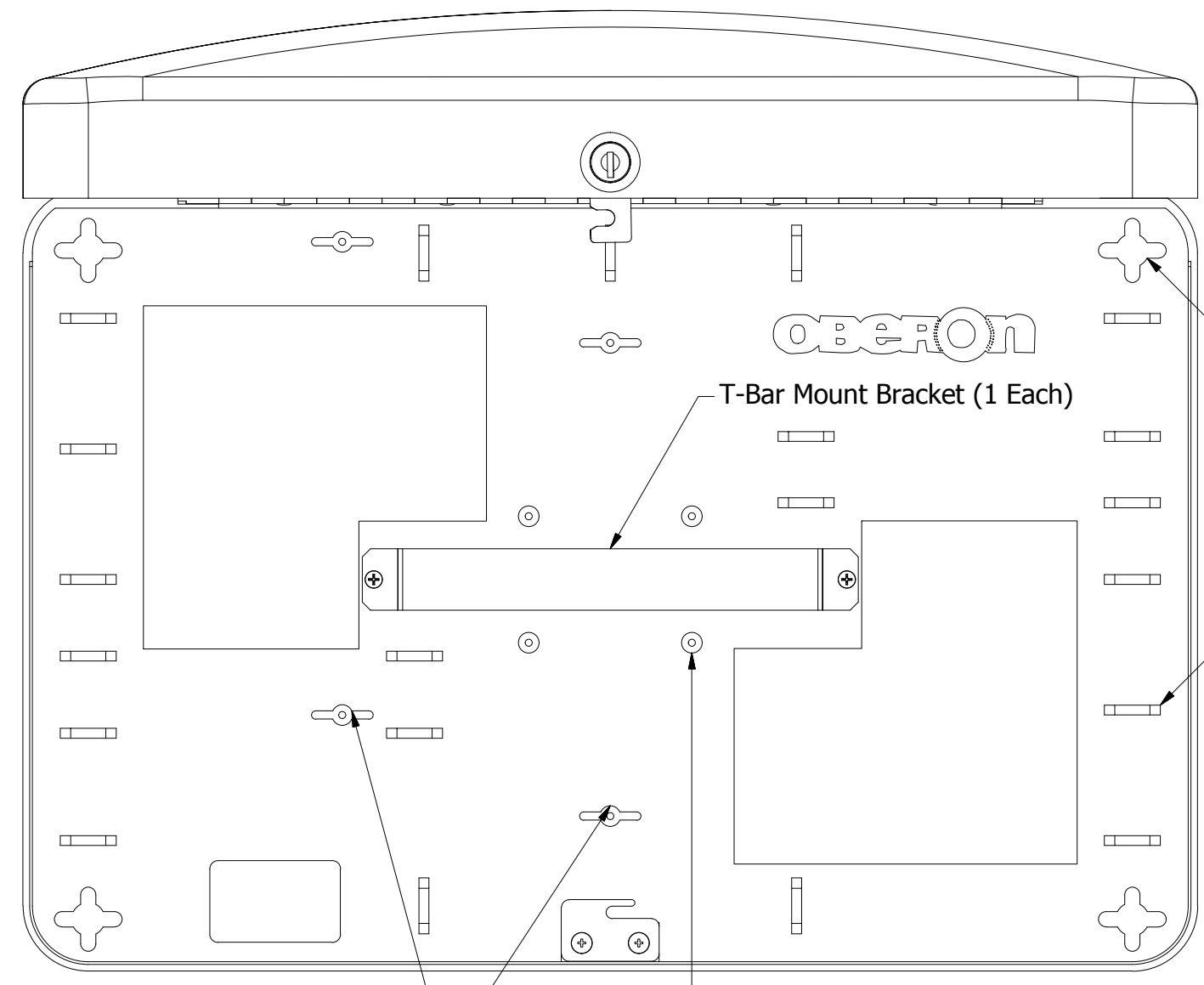
(both options have a white base)

-Mounts most access points with integrated and external antennas using Oberon's universal "T-Bar" mount

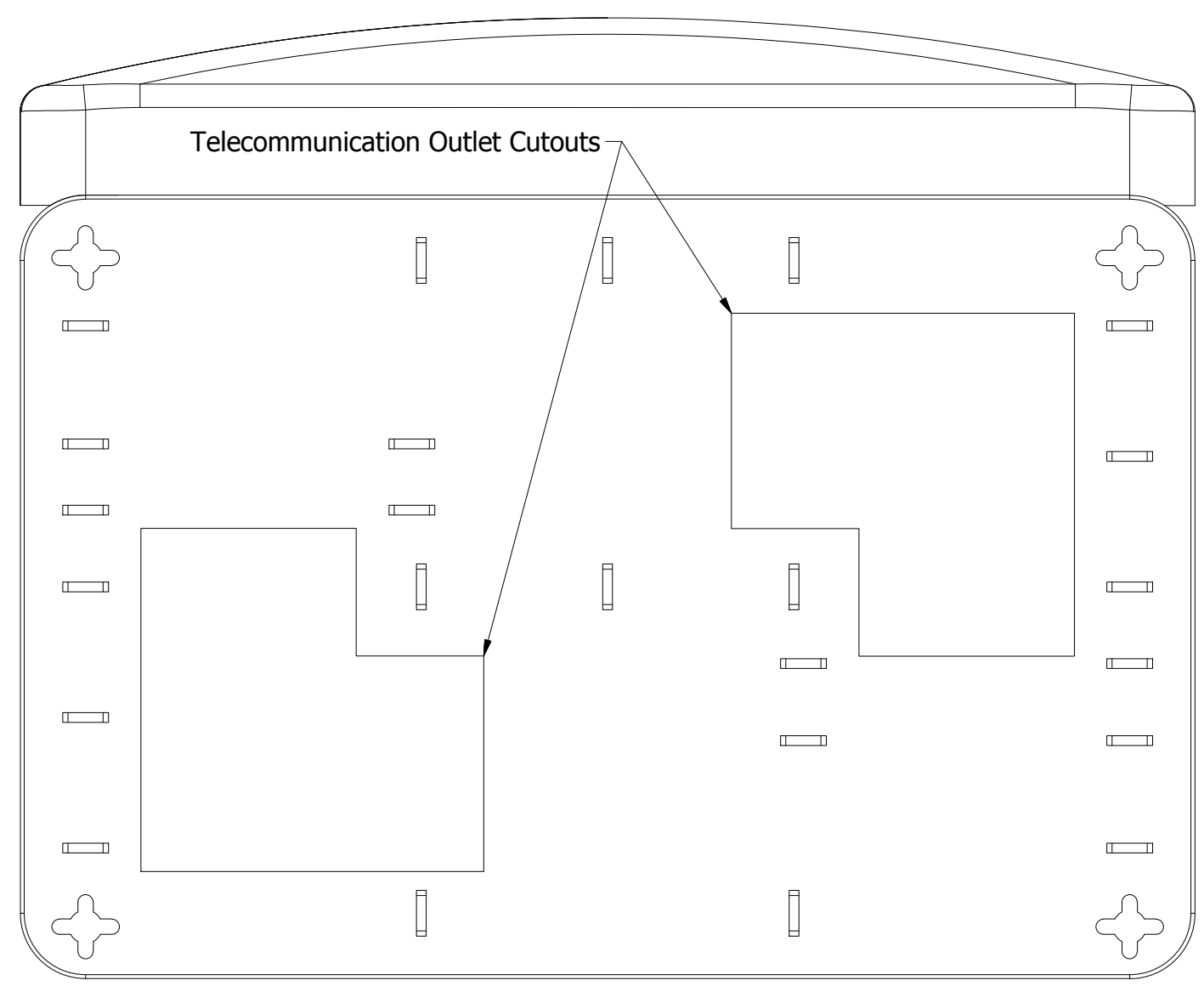
DRAWN EAS	2/18/2014	Oberon, Inc. - 1315 S. Allen St. - State College, PA 16801		
CHECKED EAS	2/18/2014	TITLE		
QA		Model 1016 Customer Print		
MFG EAS	2/18/2014	SIZE C	DWG NO 1016-XX	REV 1
APPROVED EAS	2/18/2014	SCALE	SHEET 1 OF 2	
TOLERANCE:				
.0 = +/- .030				
.00 = +/- .015				
.000 = +/- .005				

REVISION HISTORY				
ZONE	REV	DESCRIPTION	DATE	APPROVED
All	1	Released	2/18/2014	EAS

**TOP VIEW**



**BOTTOM VIEW**



- INCLUDES:**
- Model 1016 Enclosure
  - T-Bar Bracket (1)
  - Velcro (100 inches)
  - Equipment Shelf (1)
  - Cable Tie Wraps (10)
  - #6 Screws (2)
  - Installation Instructions (1)

DRAWN EAS	2/18/2014	Oberon, Inc. - 1315 S. Allen St. - State College, PA 16801		
CHECKED EAS	2/18/2014	TITLE		
QA		Model 1016 Customer Print		
MFG EAS	2/18/2014	SIZE <b>C</b>	DWG NO <b>1016-XX</b>	REV <b>1</b>
APPROVED EAS	2/18/2014	SCALE	SHEET 2 OF 2	
TOLERANCE: .0 = +/- .030 .00 = +/- .015 .000 = +/- .005				