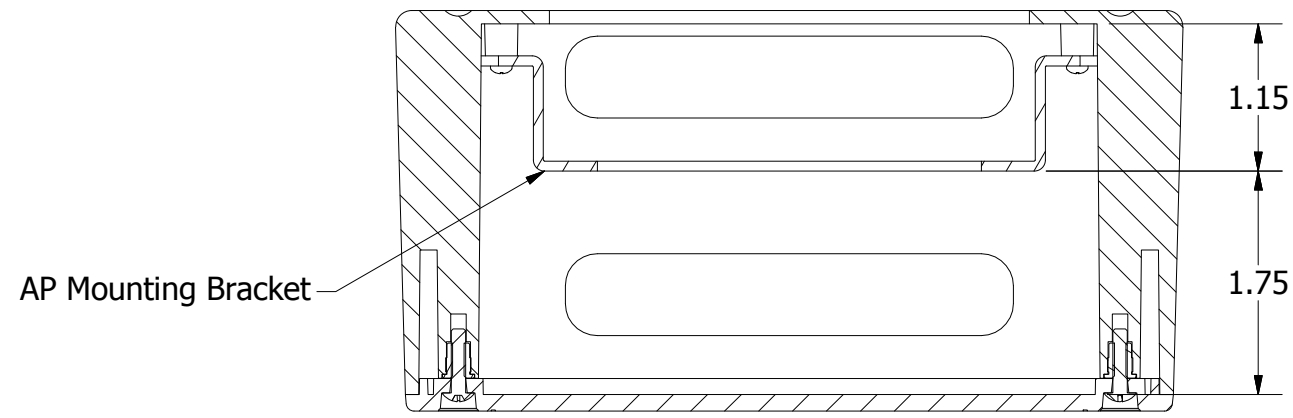
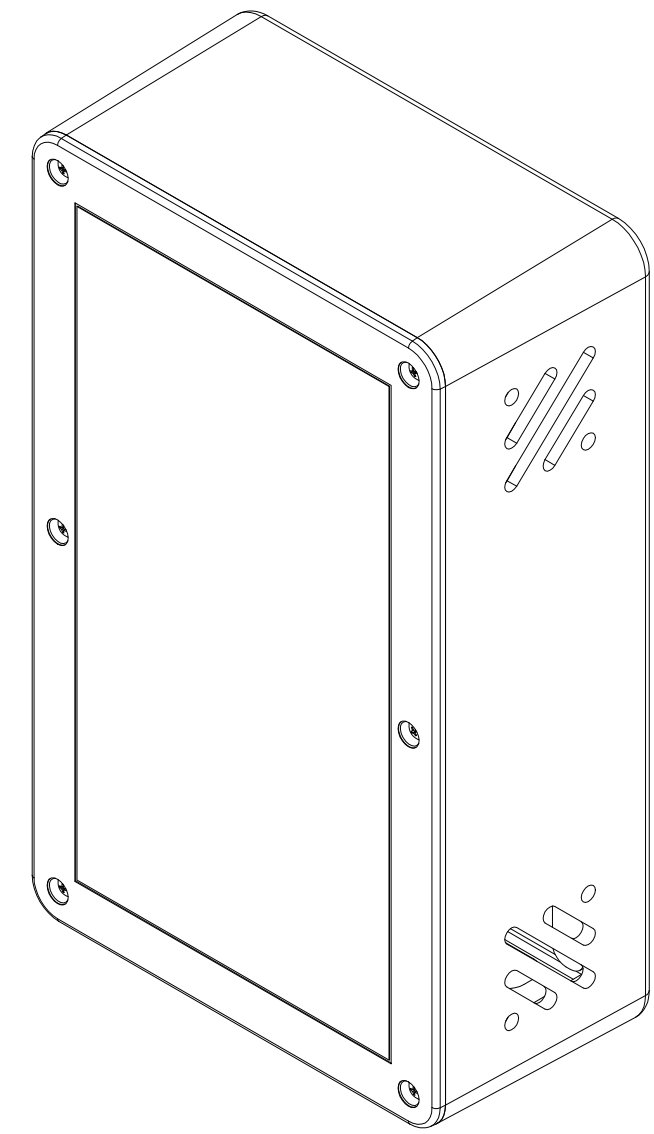
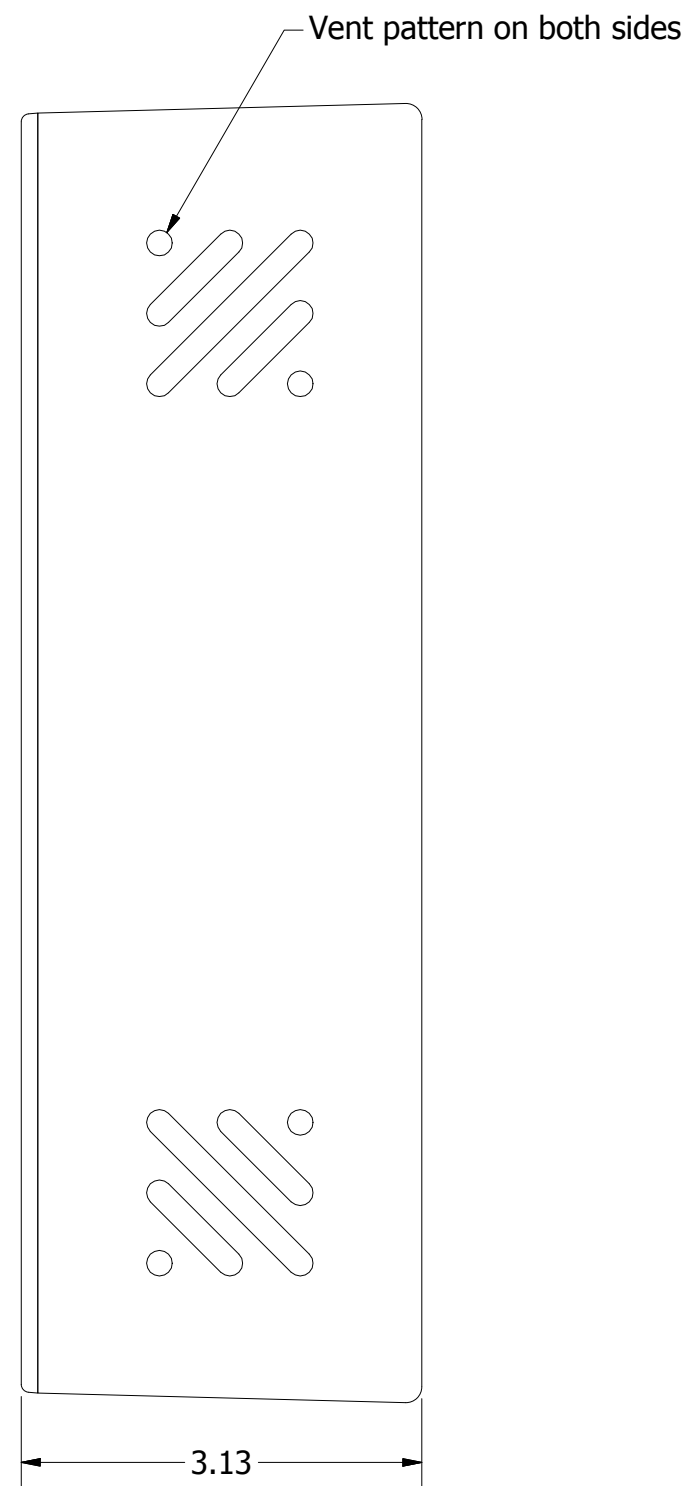
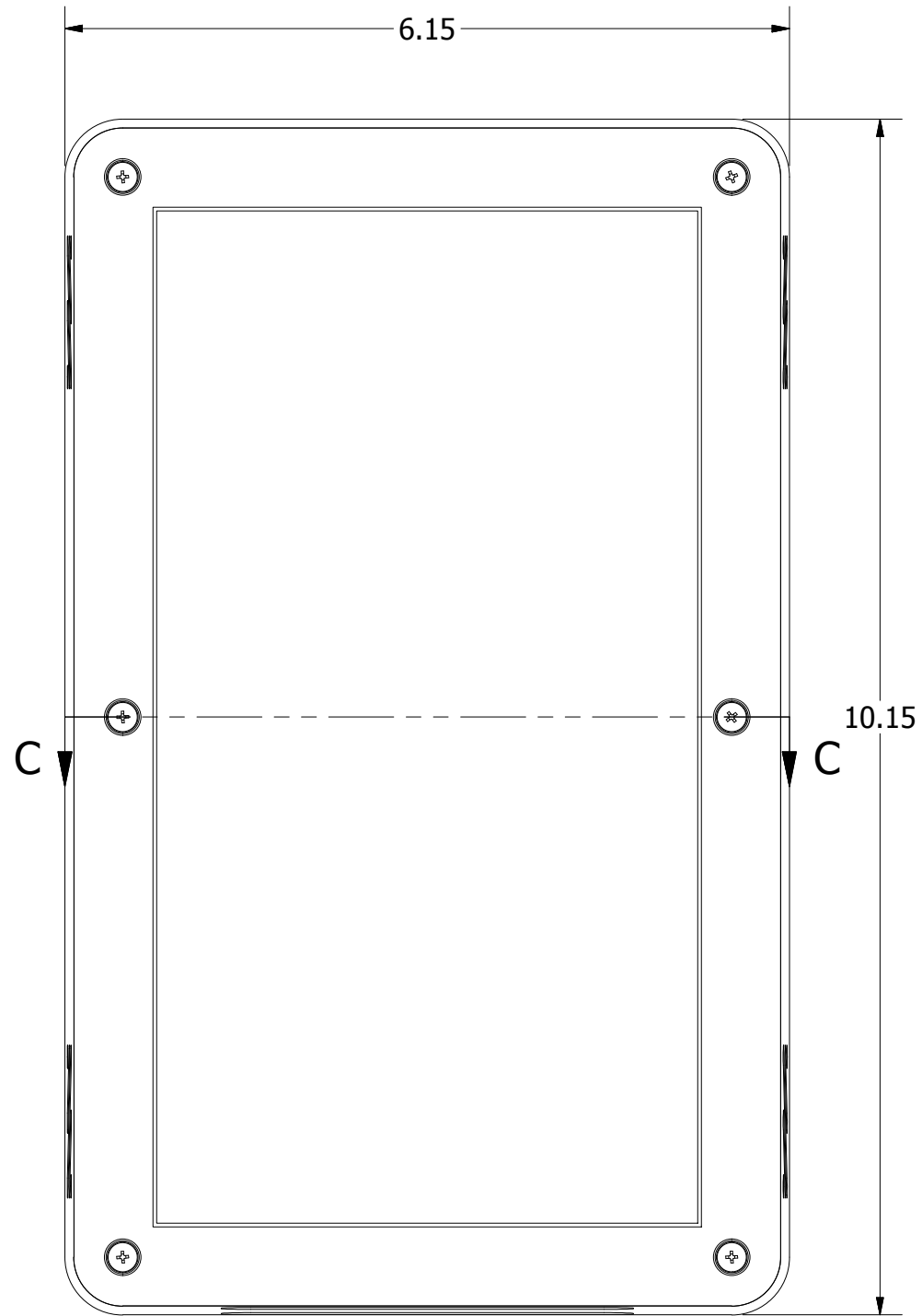


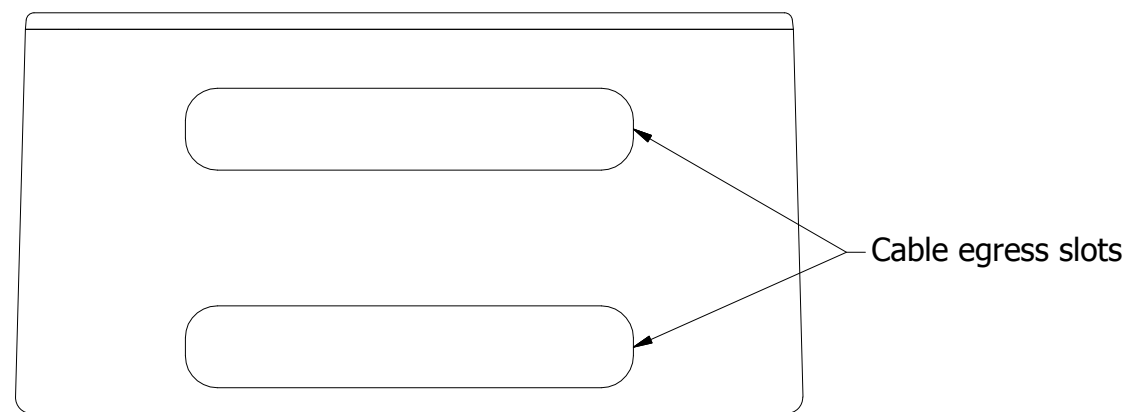
REVISION HISTORY				
ZONE	REV	DESCRIPTION	DATE	APPROVED
All	1	Released	12/11/2015	EAS



SECTION C-C
SCALE 1 / 1.5



ISOMETRIC VIEW



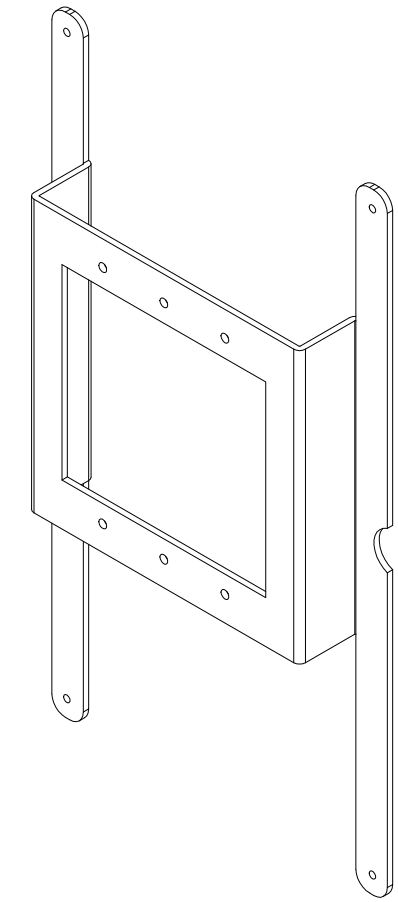
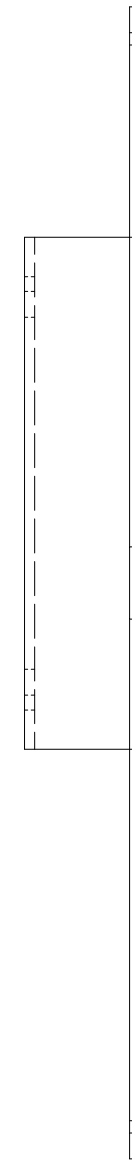
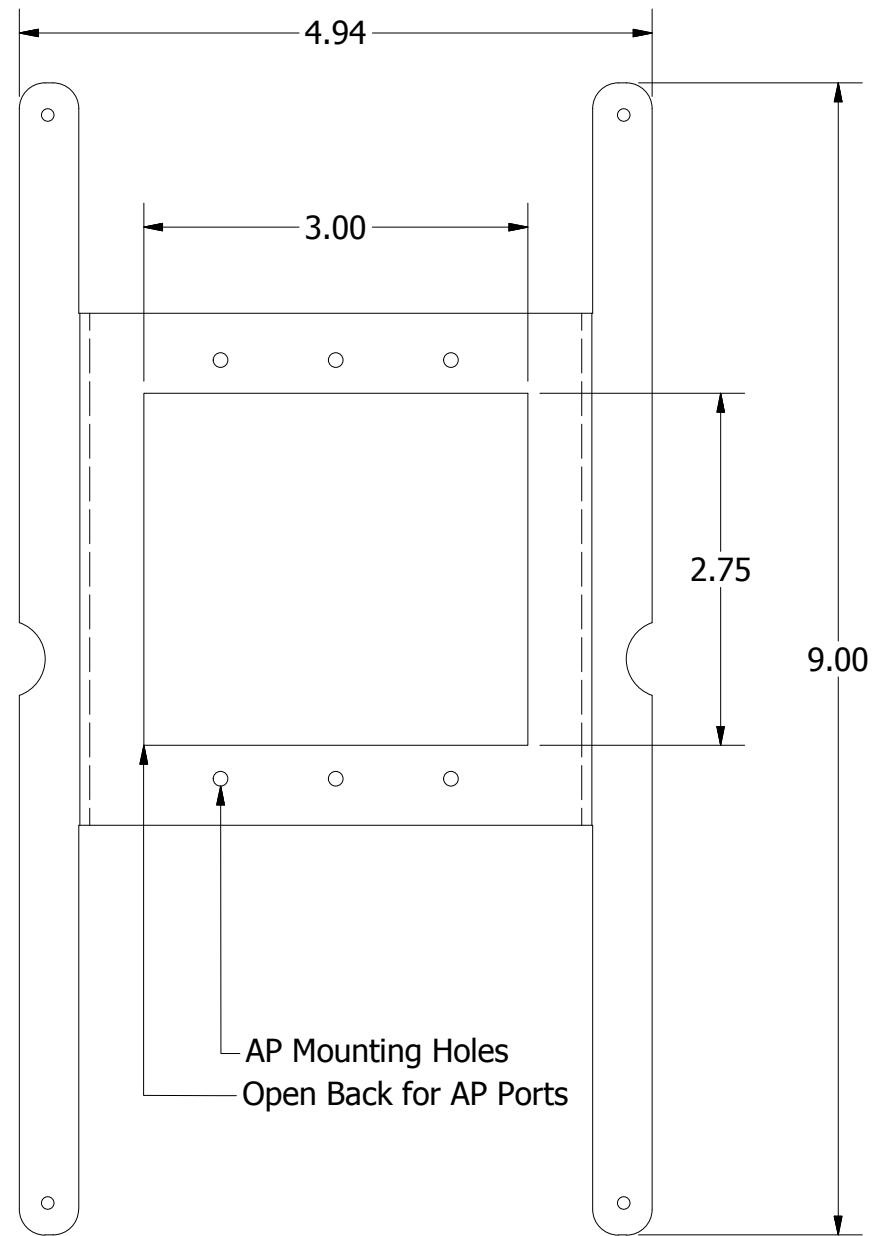
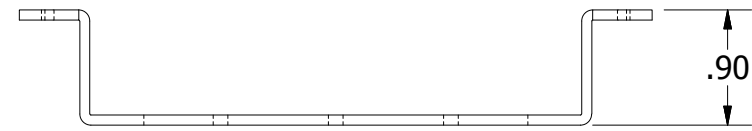
NOTE:

- Material: Black or Off-White colored Polycarbonate UL94-5VA
- Includes: AP Mount bracket with screws, Crossed Recessed and Tamper resistant lid screws

NOTE: All materials used in the construction of Oberon products must be RoHS compliant. Contact Oberon engineering if RoHS compliant materials are not available.

DRAWN EAS	12/11/2015	Oberon, Inc. - 1315 S. Allen St. - State College, PA 16801		
CHECKED EAS	12/11/2015	TITLE		
QA		Model 1017 Customer Print		
MFG EAS	12/11/2015	SIZE C	DWG NO 2479/2576	REV 1
APPROVED EAS	12/11/2015	SCALE	SHEET 1 OF 2	
TOLERANCE:	.0 = +/- .030 .00 = +/- .015 .000 = +/- .005			

AP MOUNTING BRACKET



ISOMETRIC VIEW

DRAWN EAS	12/11/2015	Oberon, Inc. - 1315 S. Allen St. - State College, PA 16801		
CHECKED EAS	12/11/2015	TITLE		
QA		Model 1017 Customer Print		
MFG EAS	12/11/2015	SIZE C	DWG NO 2479/2576	REV 1
APPROVED EAS	12/11/2015	SCALE	SHEET 2 OF 2	
TOLERANCE:		.0 = +/- .030 .00 = +/- .015 .000 = +/- .005		