

**MODEL 1017**  
Installation Instructions

**\*\*\*\* WARNING \*\*\*\***

**Please thoroughly read the product warning below before installation to provide for a safe work environment.**

1. When fastening the enclosure lid, be sure that the screws are completely fastened to prevent the lid from accidentally falling

# Installation Instructions

## Model Numbers 1017

### Assembly Components:

- Wall / Ceiling Enclosure, Model 1017 Assembly – 1 each
- Tamper Resist Lid Screws – 6 each
- Cross Recessed Lid Screws – 6 each
- AP Mounting Bracket – 1 each
- #6 Screws – 4 each
- #2 Screws – 4 each

If any of these items are missing, contact your Oberon representative.

### Over Wall Plate Installation

Step 1 – Remove the enclosure lid and align the enclosure's back cutout over the wall plate or data wall-box. Using the keyhole mounting slots, mark the pilot hole locations for wall anchors or other hardware (not included).

Step 2 – Fasten the enclosure to the surface using the pre-drilled hole locations and wall anchors or other hardware. Attach the Ethernet cable to the access point and attach the access point to the data wall-box using the manufacturer's specified mounting plate (Figure 1).

Step 3 – Fasten the lid with the provided screws, crossed recessed or tamper resistant. Installation is now complete.

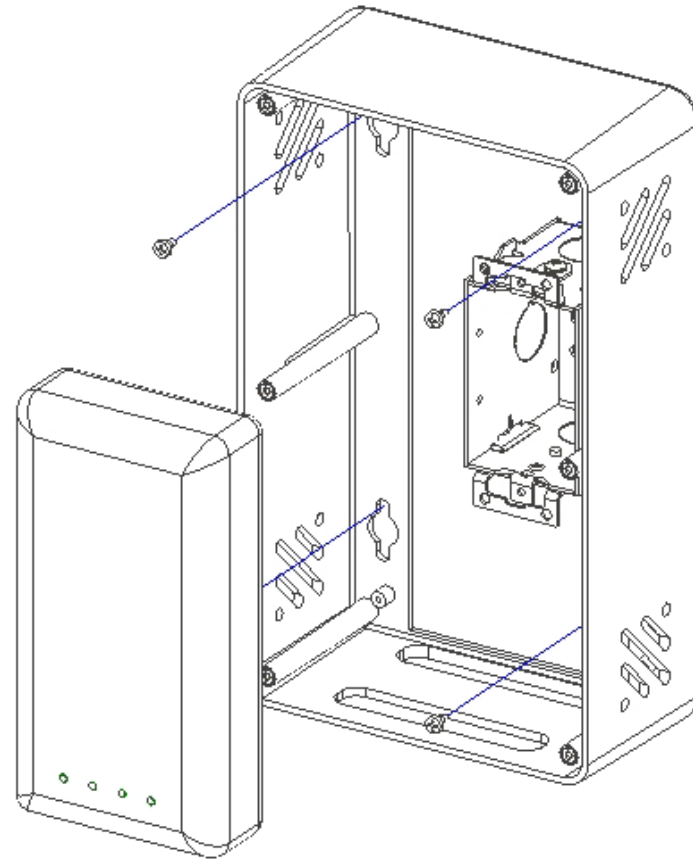


Figure 1 - Access Point Install Over Wall Plate

### Equipment Cord to Enclosure Installation

Step 1 – Remove the enclosure and mark the pilot hole locations for wall anchors or other hardware (not included) using the keyhole slots.

Step 2 – Fasten the enclosure to the surface using the pre-drilled hole locations and wall anchors or other hardware.

Step 3- A surface mount box (or biscuit jack) and equipment cord can be conveniently mounted inside the Model 1017. (Non-plenum rated cables can be used inside a plenum rated enclosure). Use an adhesive backed surface mount box. Consider bend radius of horizontal cable and equipment cord when attaching the surface mount box.

Step 4 – Fasten the AP Mounting Bracket to the enclosure embosses using the provided #2 screws. If a surface mount box is installed, attach the equipment cord from the surface mount box to the access point. Otherwise, attach the Ethernet cable directly to the access point through the bottom cutout and attach the access point to the AP Mounting Bracket using the manufacturer's specified mounting plate (Figure 3).

Step 5 – Fasten the lid with the provided screws, crossed recessed or tamper resistant. Installation is now complete.

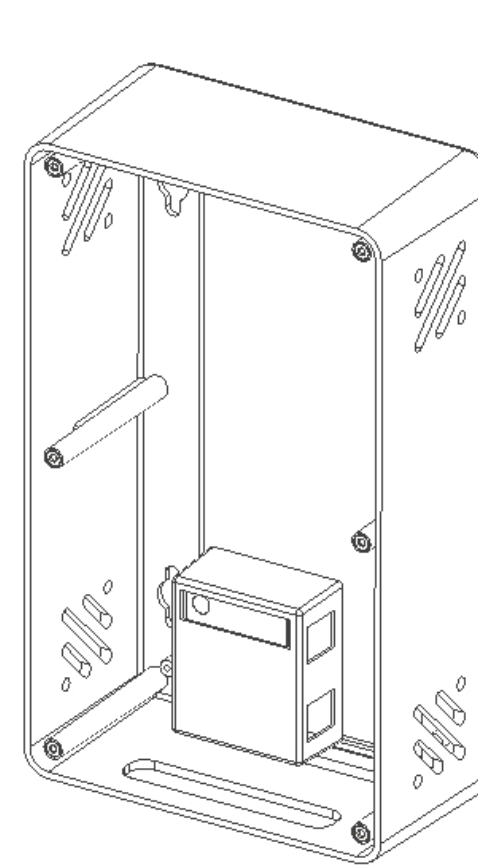


Figure 2 – Surface Mount Box Install To Enclosure

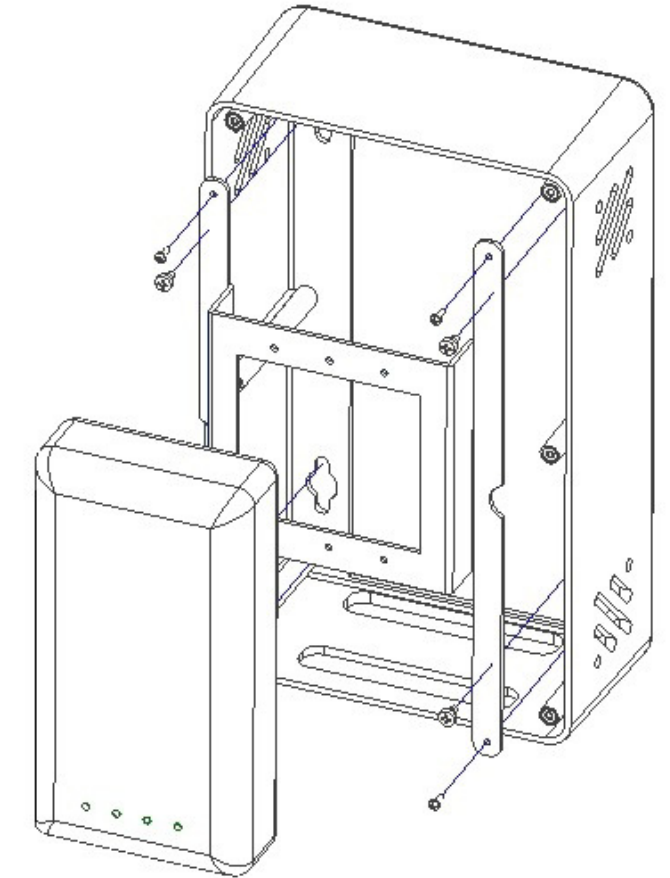


Figure 3 – Access Point Install To Mounting Bracket