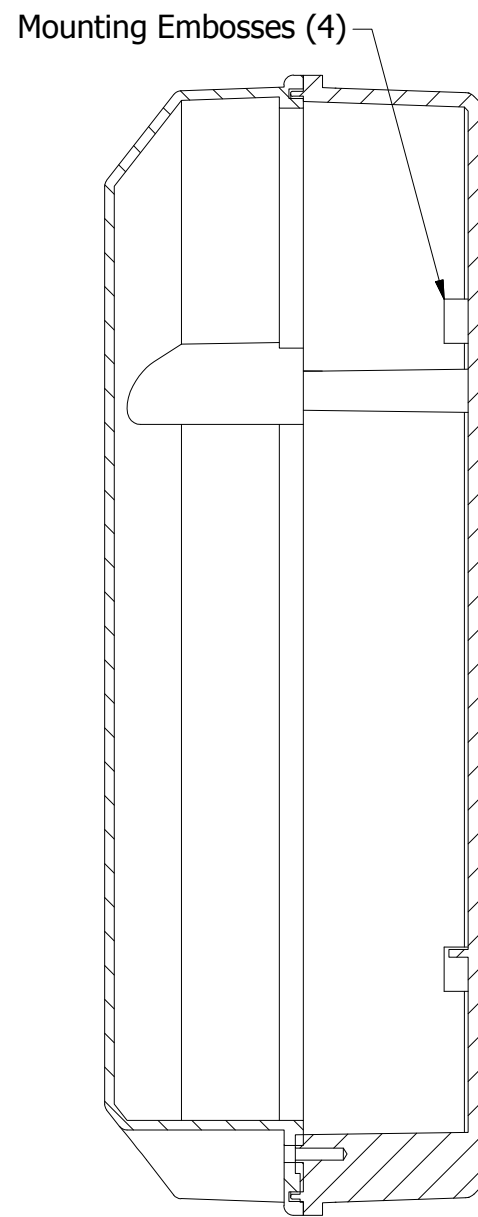
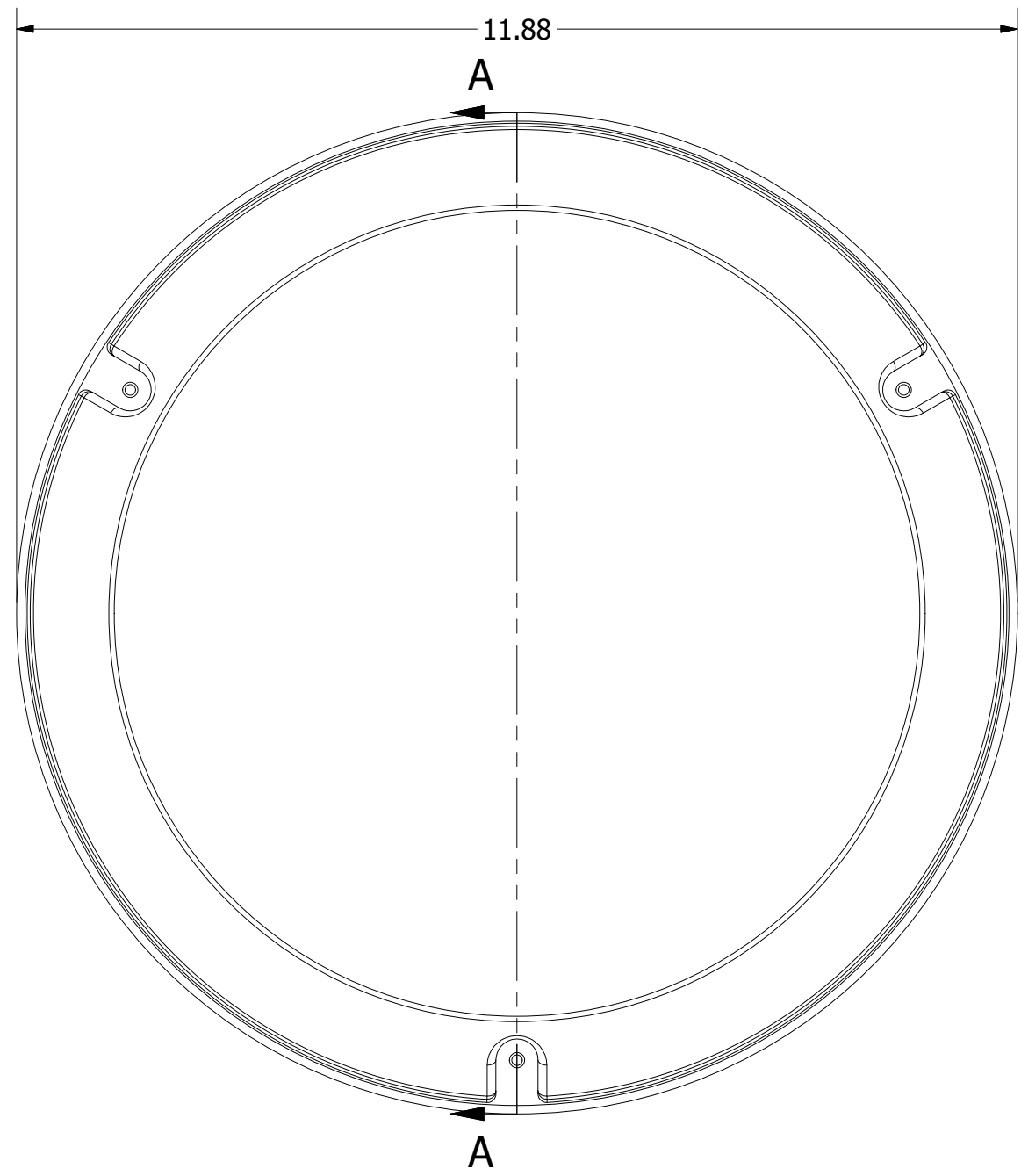
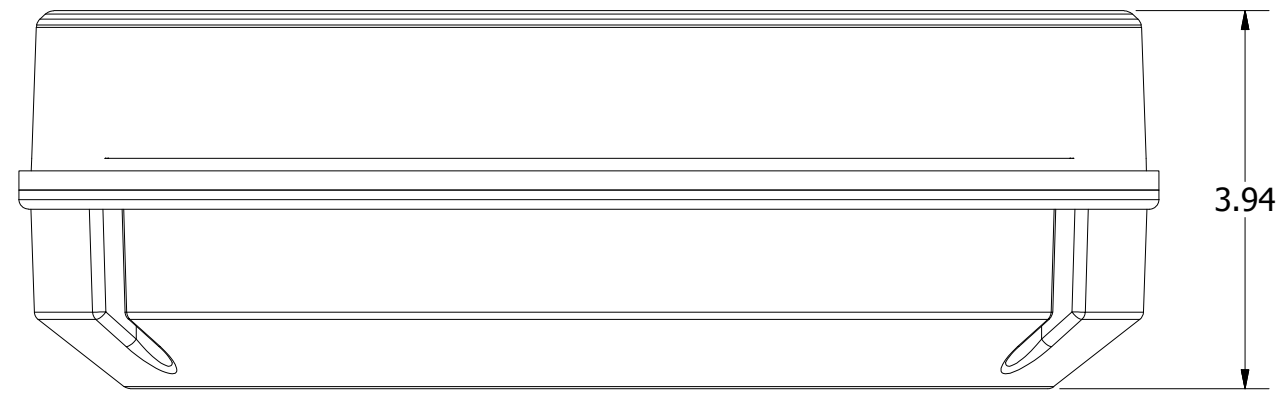
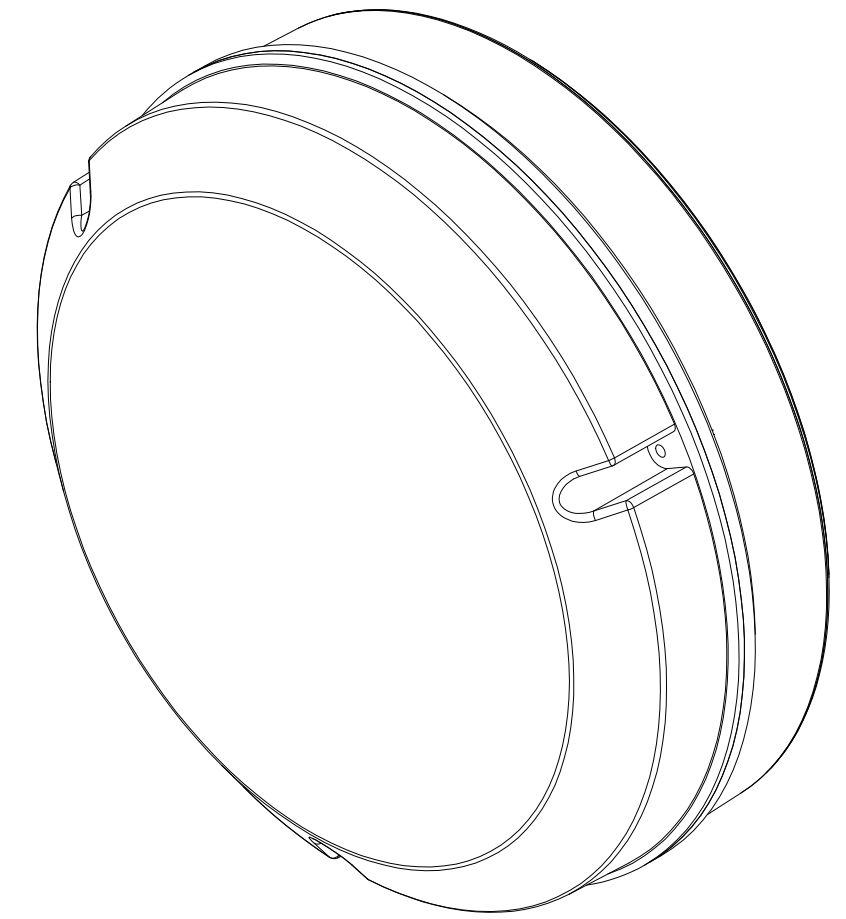


REVISION HISTORY				
ZONE	REV	DESCRIPTION	DATE	APPROVED
All	1	Released	4/1/2016	EAS



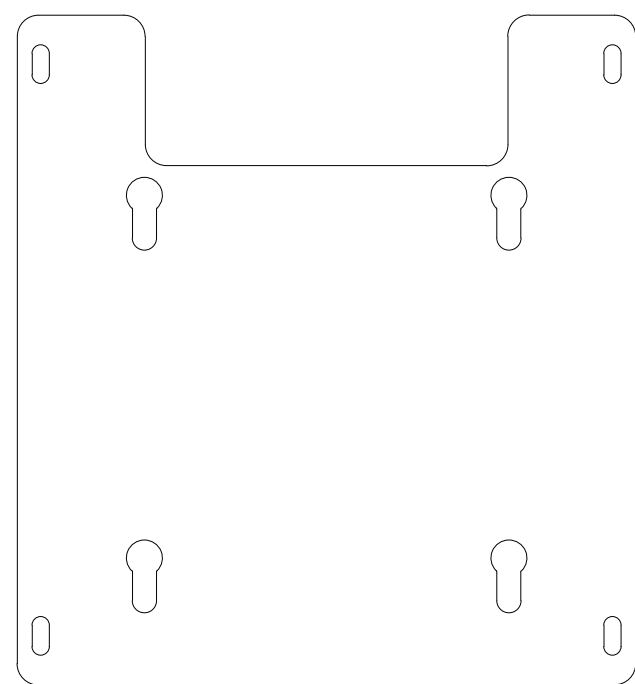
SECTION A-A
SCALE 1 / 2



ISOMETRIC VIEW

NOTE:

- Material: White Polycarbonate
- Includes:
 - T-Bar Bracket
 - Mounting Bracket for Cisco WAPs
 - WiFi Adhesive Label
 - (4) #8-32 Screws
 - (4) #6-32 Screws



Cisco Mounting Bracket



T-Bar Bracket

DRAWN EAS	12/21/2015	Oberon, Inc. - 1315 S. Allen St. - State College, PA 16801		
CHECKED EAS	12/22/2015	TITLE		
QA		Model 1018-00 Customer Print		
MFG EAS	12/22/2015	SIZE C	DWG NO 2582	REV 1
APPROVED EAS	12/22/2015	SCALE	SHEET 1 OF 1	
TOLERANCE:	.0 = +/- .030 .00 = +/- .015 .000 = +/- .005			