

**MODEL 1018**  
Installation Instructions

**\*\*\*\* WARNING \*\*\*\***

**Please thoroughly read the product warning below before installation to provide for a safe work environment.**

1. When fastening the enclosure lid, be sure that the screws are completely fastened to prevent the lid from accidentally falling

# Installation Instructions

Model Numbers 1018

## Assembly Components:

- Wall / Ceiling Enclosure, Model 1018 Assembly – 1 each
- Lid Screws – 3 each
- Cross Recessed Lid Screws – 3 each
- Sealing Washers – 3 each
- Cisco Mounting Bracket – 1 each
- T-Bar Bracket – 1 each
- Wi-Fi Label – 1 each
- #8 Screws – 4 each

If any of these items are missing, contact your Oberon representative.

**Step 1** – Remove the enclosure lid and mark the drill points for securing the enclosure to the wall or ceiling. Drill out any material in the sidewall of the base for routing cables to the access point. Fasten the enclosure to the surface using the pre-drilled hole locations and wall anchors or other hardware.

**Step 2** – A surface mount box (or biscuit jack) and equipment cord can be conveniently mounted inside the Model 1018. (Non-plenum rated cables can be used inside a plenum rated enclosure). Use an adhesive backed surface mount box. Consider bend radius of horizontal cable and equipment cord when attaching the surface mount box (Figure 1).

**Step 3** – Fasten the universal T-Bar Bracket (Figure 2) or Cisco Mounting Bracket (Figure 3) to the embosses inside of the enclosure using the provided #8 screws.

**Step 4** – Secure the access point to either the T-Bar Bracket, or Cisco Mounting Bracket with the provided #6 screws. If a surface mount box is installed, attach the patch cord from the surface mount box to the access point. Otherwise, attach the Ethernet cable directly to the access point.

**Step 5** – Fasten the lid with the provided lid screws and sealing washers to maintain water tightness. Installation is now complete.

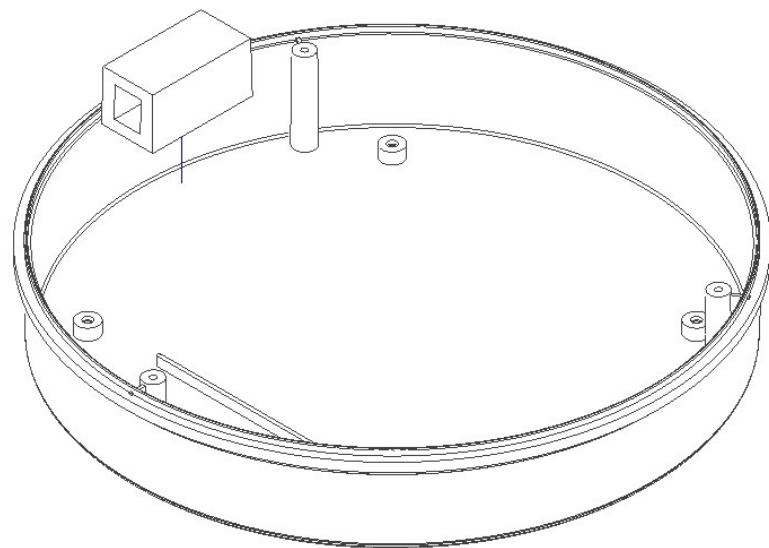


Figure 1 - Surface Mount Box Install

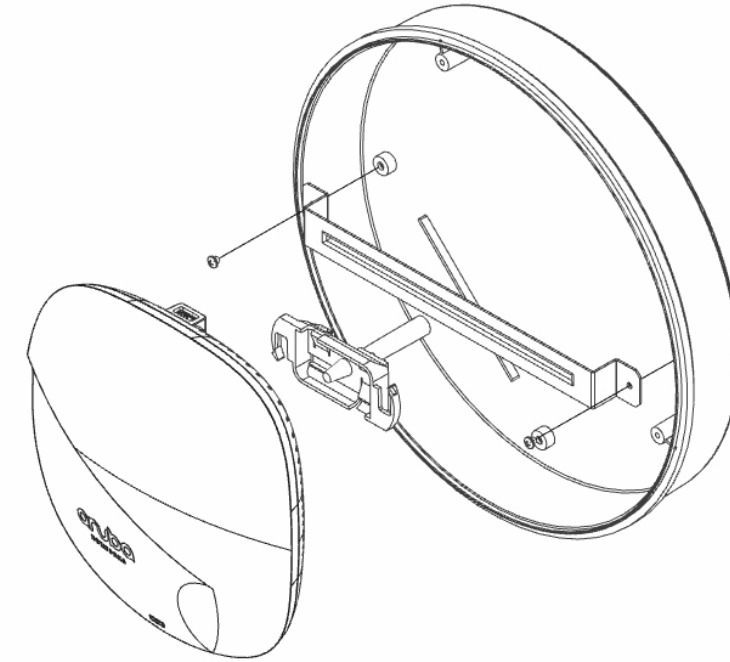


Figure 2 - T-Bar Bracket Install

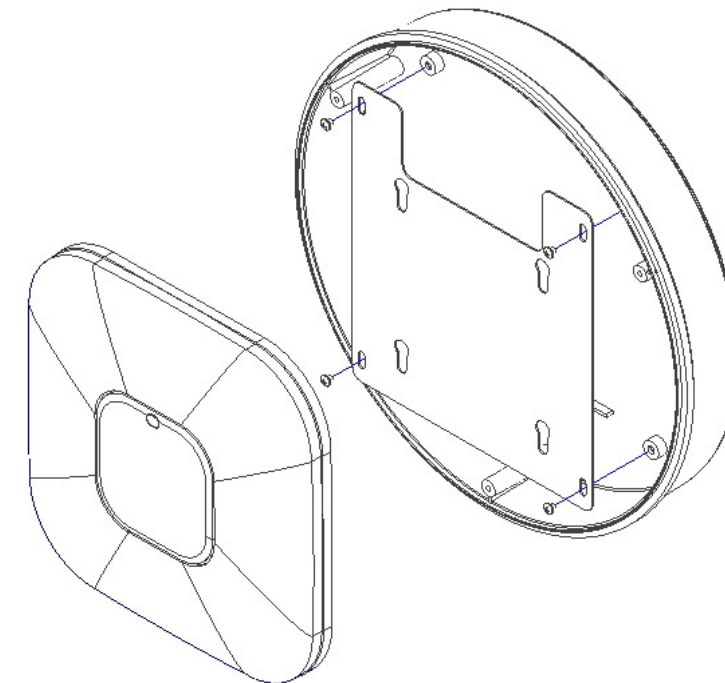


Figure 3 - Access Point Install To Mounting Bracket