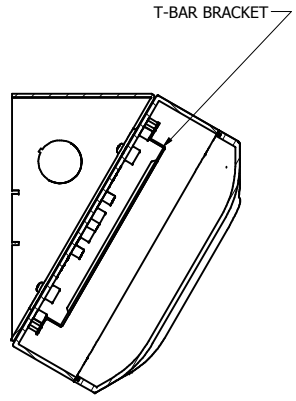
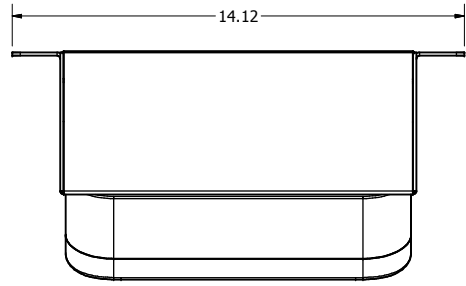
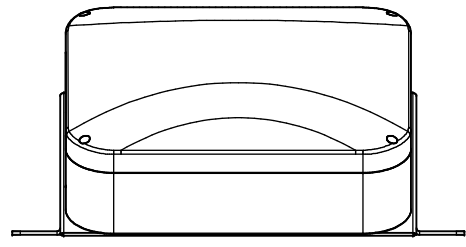
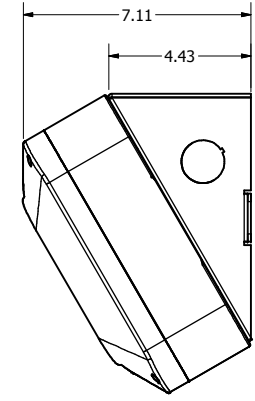
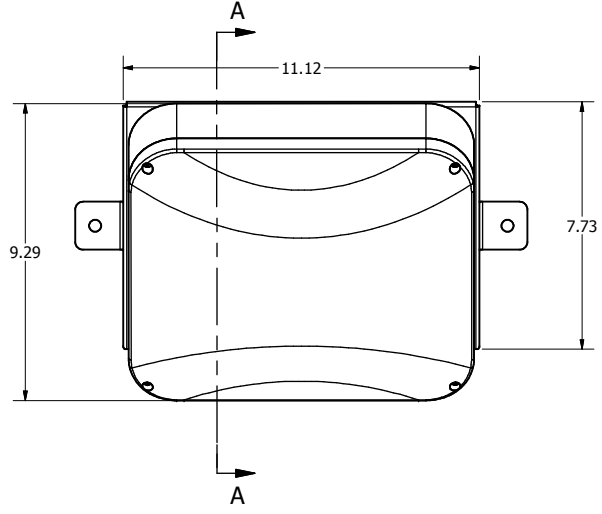


REVISION HISTORY				
ZONE	REV	DESCRIPTION	DATE	APPROVED
All	1	Released	12/18/2017	ATK



SECTION A-A
SCALE 1 / 3



NOTE:

- Material:
- Base and Cover: Gray Textured UL94-V0 Polycarbonate
- 30 Degree Mount: Gray Powdercoat 0.10" Aluminum
- T-Bar Bracket: Gray Powdercoat 18 Ga. Steel

NOTE: All materials used in the construction of Oberon products must be RoHS compliant. Contact Oberon engineering if RoHS compliant materials are not available.

DRAWN	ATK	10/26/2017	Oberon, Inc. - 1315 S. Allen St. - State College, PA 16801	
CHECKED	ATK	10/26/2017	TITLE	
QA			Model 1020-00-USM30	
MFG	ATK	10/26/2017	SIZE	DWG NO
APPROVED	ATK	10/26/2017	C	1020-00-USM30
TOLERANCE:	.0 = +/- .030		SCALE	REV
	.00 = +/- .015			1
	.000 = +/- .005		SHEET 1 OF 1	