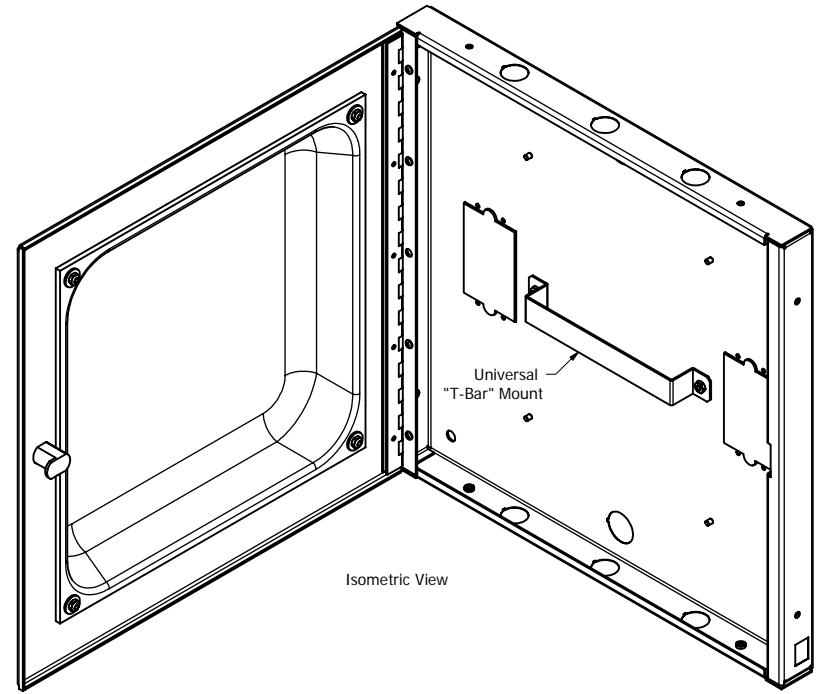
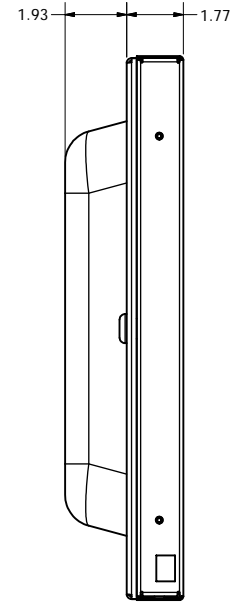
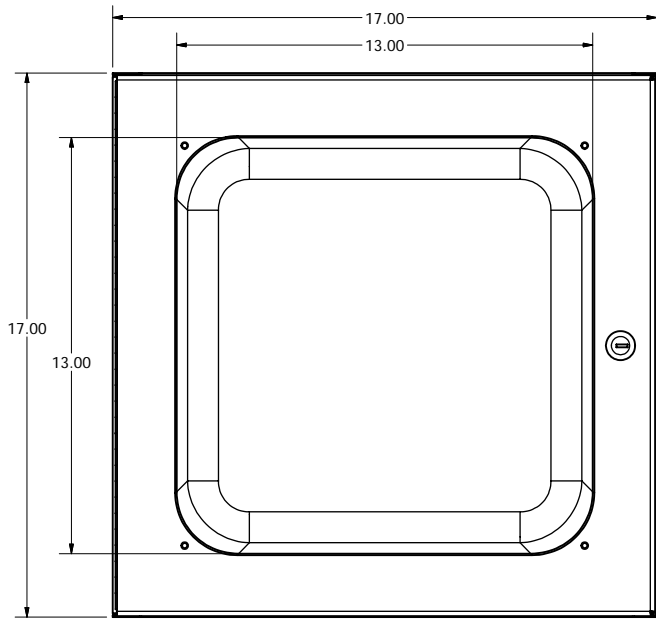


| REVISION HISTORY | | | | |
|------------------|-----|--|-----------|----------|
| ZONE | REV | DESCRIPTION | DATE | APPROVED |
| C1 | 5 | Removed mounting plate and added T-Bar mount | 1/17/2013 | RLC |



- NOTES:**
- UL Listed: File No. E249360
 - OSHPD Approved: File No. OPA-1638-10
 - Weight: 13 lbs.
 - Material: 16 Ga. Galvanized Steel Backbox
14 Ga. White Powder Coated Steel Door
UL 94-5VA ABS Plastic Dome
 - Includes: Hardware Kit

| | | | | |
|-----------------|------------|--|-------------------|----------|
| DRAWN RLC | 12/30/2010 | Oberon, Inc. - 1315 S. Allen St. - State College, PA 16801 | | |
| CHECKED RLC | 12/30/2010 | TITLE | | |
| QA | | Model 1030-00 Enclosure | | |
| MFG RLC | 12/30/2010 | SIZE C | DWG NO 1030-00 | REV 5 |
| APPROVED RLC | 12/30/2010 | SCALE | SHEET 1 OF 1 | |
| TOLERANCE: | | .0 = +/- .030 .00 = +/- .015 .000 = +/- .005 | | |