

Installation Instructions

Model Number 1030-00

Assembly Components:

- Wall / Ceiling Enclosure, Model 1030-00 assembly – 1 each
- #6-32 Screws – 4 each
- #8-32 Screws – 4 each
- #10-32 Screws – 4 each
- #6-32 Hex Nuts – 2 each
- ½" Trade Size Cable Clamp
- Keys for access door lock – 2 each

If any of these items are missing, contact your Oberon representative.

Find a flat work surface to assemble the wall/ceiling enclosure and access point prior to mounting.

Step 1 – Step 3 – (**Any manufacturer's access points**) Install the access point's mounting plate to the enclosure's "T-Bar" bracket using the manufacturer's instructions for attaching the mounting bracket to a ceiling tile grid (T-Bar). Attach the Access Point to the mounting plate. (Ref. Figure 3).

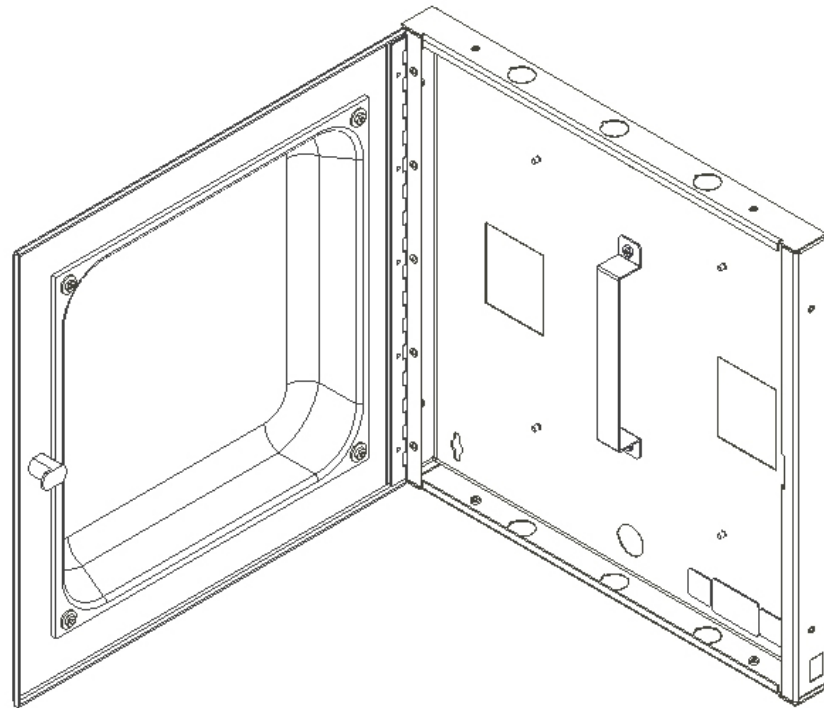


Figure 1 – Model 1030-00 Enclosure Opened

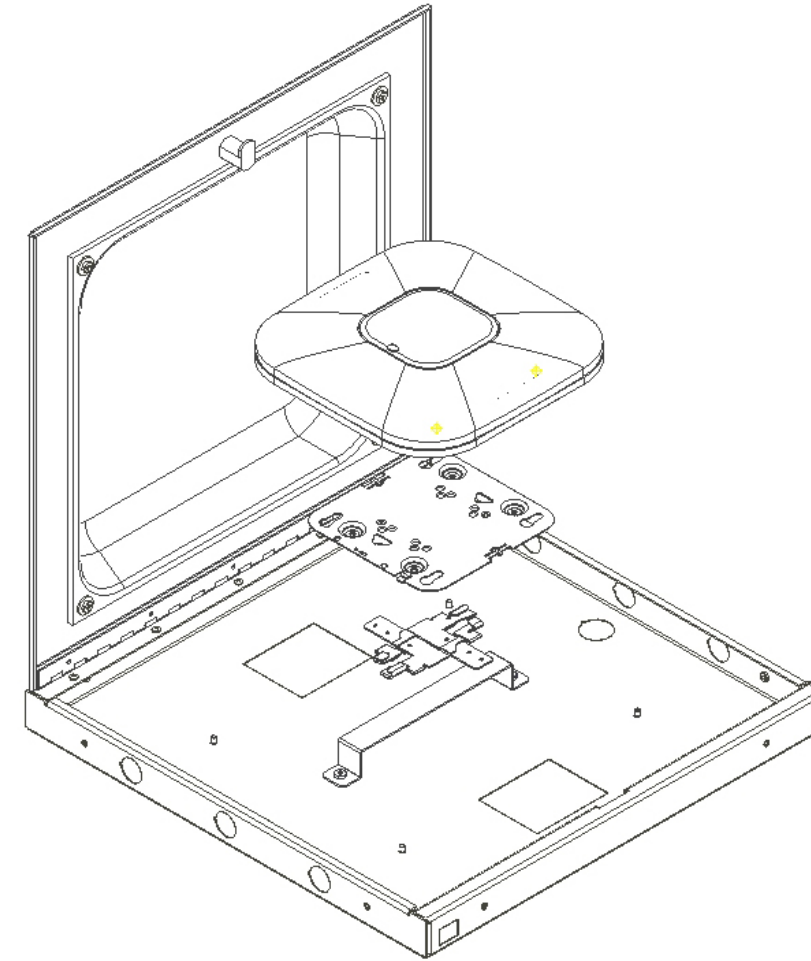


Figure 2 - Install AP per manufacturer's instruction for T-Bar mounting

Step 3 – Decide the best location from which to bring in the Ethernet cable. There are two (2) ¾" trade size knockouts located against the back surface of the enclosure and six (6) ½" trade size clamps located on the top and bottom surface of the enclosure. Remove the knockout that best fits your application. (Note: The knockouts located on the top and bottom walls of the enclosure can also be used for external antennas if required). Install the cable clamp.

Step 4 – Place the enclosure against the surface to which it will be mounted and mark the hole locations to drill pilot holes.

NOTE: Openings are provided in the back of the enclosure so that the unit can be placed over an outlet. If placing over an outlet, remove the cover plate of the outlet and place the enclosure over top. Once the enclosure has been secured in place, re-attach the outlet cover plate inside the enclosure.

Step 5 – Set the enclosure to the side and drill holes for wall anchors. Install the wall anchors and mount the enclosure.

Step 6 – Bring in the Ethernet cable and attach to the access point.

Step 7 – Attach the access point to the previously installed access point mounting plate, close and lock the door. Installation is now complete.

Step 8 – Bring in the Ethernet cable and attach to the access point.

Step 9 – Attach the access point to the previously installed access point mounting plate, close and lock the door. Installation is now complete.