

# Installation Instructions

Model Number 1042-CCOAP

## Model 1042-CCOAP Locking Recess Wall/Ceiling/Ceiling Mount Assembly

### Components:

- Galvanized backbox – 1 each
- AP mounting bracket – 1 each
- AP Trim – 1 each
- #6-32 X 3/4" white screw – 4 each
- #8-32 X 1/4" screw – 4 each
- #8-32 X 1/4" M/F standoff – 2 each
- #8-32 Nuts - 2 each
- 1" Conduit Fitting with Nut – 1 each
- Firestop grommet – 1 each
- Installation instructions – 1 each

If any of these items are missing, contact your Oberon representative.

Find a flat work surface to assemble the enclosure, access point and antenna(s) (if needed) prior to mounting in wall/ceiling or ceiling.

**Step 1** - Cut a 11.25" x 12.25" opening in the "hard lid" ceiling or wall (special cutting tools may be required – ref. Figure 1).

**Step 2** – Place the backbox on the work surface. Remove one of the 1" knockouts on the side of the enclosure and install the 1" trade size conduit connector (the side on which the cable clamp is to be installed will be determined by the location the enclosure is to be installed and direction from which conduit or cable will be brought into the enclosure)

**NOTE:** A surface mount box (or biscuit jack) and equipment cord can be conveniently mounted inside the Model 1042. (Non-plenum rated cables can be used inside a plenum rated enclosure). Use an adhesive backed surface mount box. Consider bend radius of horizontal cable and equipment cord when attaching the surface mount box.

**Step 4** - Fasten Cisco's AIR-BRACKET-2 to the mounting bracket (Figure 2). **NOTE:** Oberon's products designed are designed to accommodate Cisco AIR-AP-BRACKET-2. If you are using Cisco 1040,1140, 1260, or 3500 series access points, you will need to use the included standoffs to raise the AIR-AP-BRACKET-2 so that the seam of access point is flush with the trim or door. If you are using a Cisco 3600, 2700, or 3700 series access point, you will **not** need to use the standoff

**Step 5** - Slide the AP onto the AIR-BRACKET using the AP's feet to lock in place.

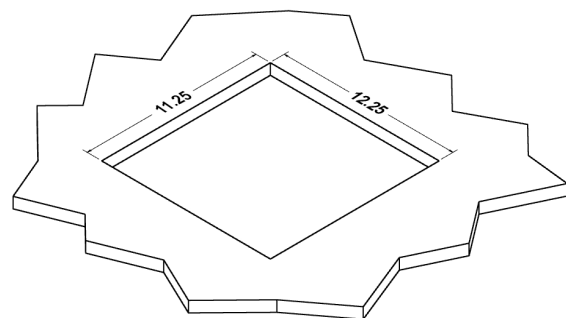


Figure 1 - Cutout Dimensions

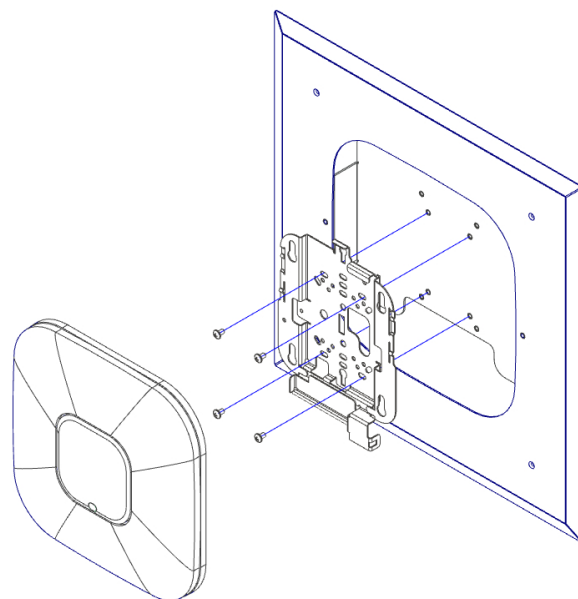


Figure 2 - Access Point and Bracket Attachment

**Step 6** - Attach the AP mounting bracket to the AP trim. The seam around the AP should be flush with the AP trim.

**Step 7** – Insert the Ethernet cable through the conduit connector previously installed in the enclosure. Insert the box into the opening in the ceiling/wall and using either a hand held screw driver or an electric screw driver set to the lowest torque setting, rotate the screws located at the four corners (#1 in Figure 3). Rotating the screws will cause the dogleg clip to rotate into position (#2 in Figure 3) and travel along the length of the screw, tightening the clip against the drywall. Caution, do not over tighten the screws as it may damage the flange of the enclosure. See OSHPD approved drawing where applicable.

**Step 8** – Once the assembly has been installed in the wall or ceiling, run the Ethernet cable into the enclosure through the conduit connector located on the side of the backbox. Clamp the firestop grommet around the cable far enough to allow attachment to the access point (8" - 10"). Insert the grommet into the conduit fitting (Figures 3 and 4)

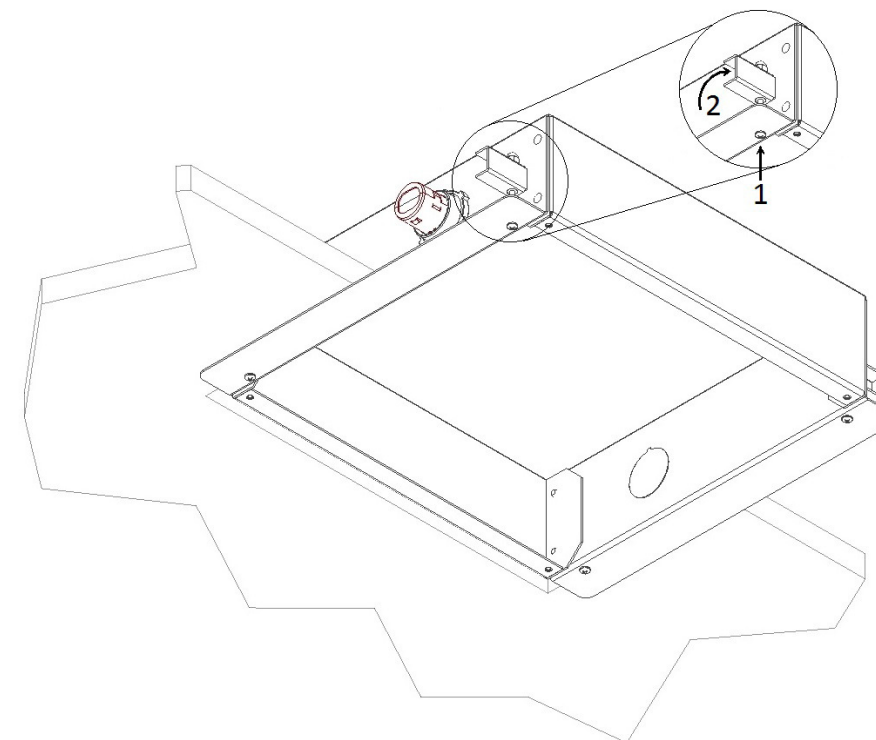


Figure 3 - Back Box Mounting

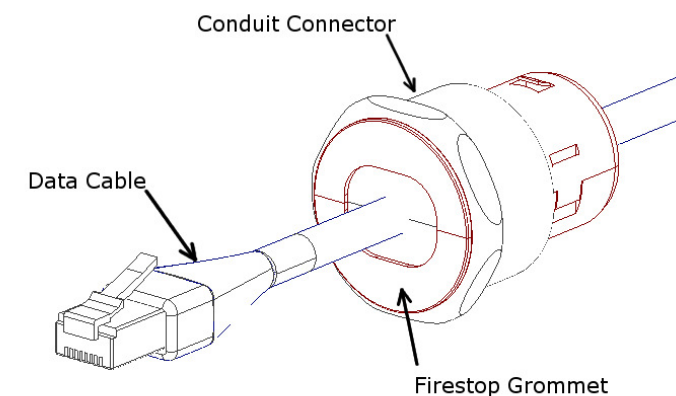
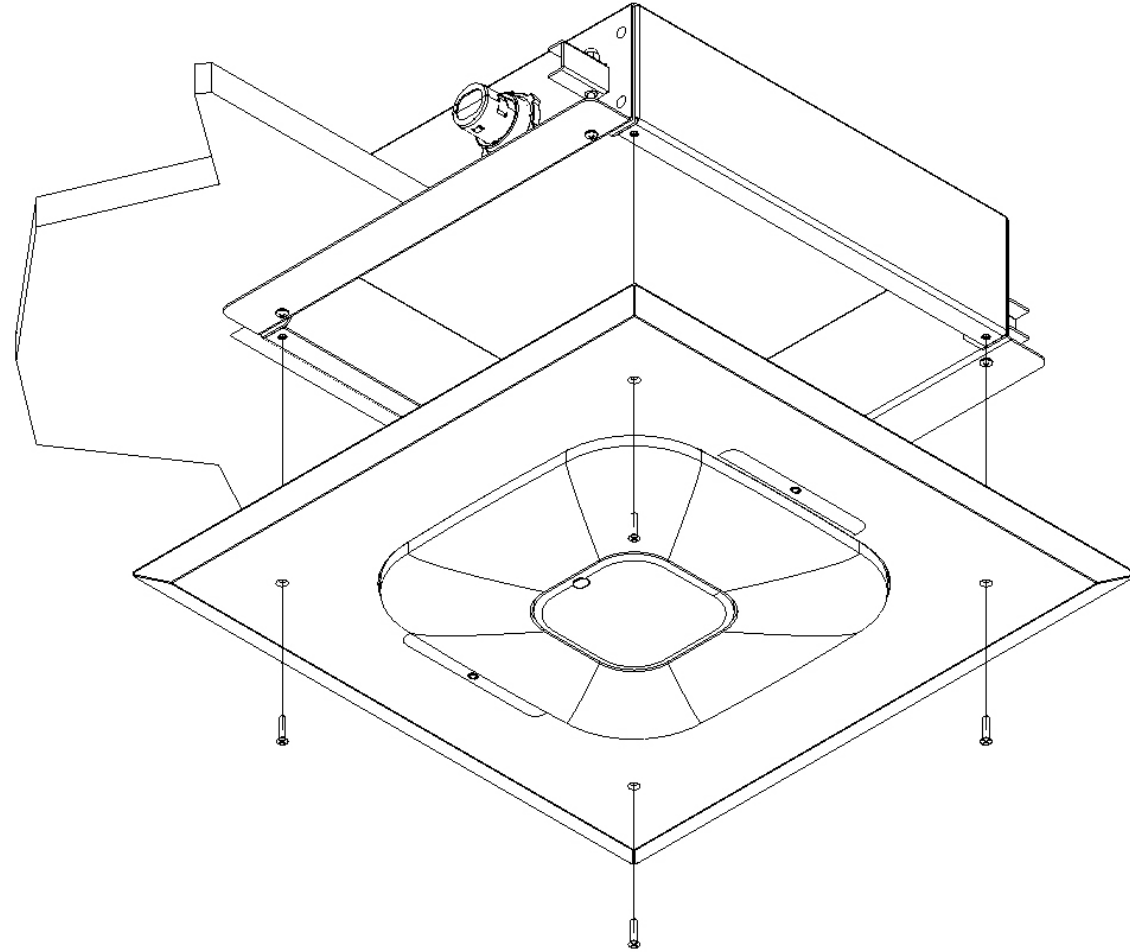


Figure 4 - Firestop Grommet

**Step 9** – Once the access point is secured and Ethernet are connected, screw the trim with access point into the installed back box using the provided painted screws. The installation is now complete. Reference Figure 5.



**Figure 5 – Trim Install**



## **MODEL 1042-CCOAP**

### **Installation Instructions**

### **\*\*\*\* WARNING \*\*\*\***

**Please thoroughly read the product warning below before installation to provide for a safe work environment.**

1. The Cabinet System Communications are intended to be installed in accordance with the applicable requirements of the NFPA 70, "National Electrical Code" (NEC), and/or the applicable sections of ANSI C2, "National Electrical Safety Code" (NESC). The Authority Having Jurisdiction will be responsible over the final installation to determine if the final configuration meets the necessary criteria for the installation and use.
2. The Cabinet System Communication is configured in the field by qualified service personnel.
3. Ambient Temperature - A manufacturer's maximum specified operating ambient of 55°C; so that the installer is able to determine acceptability of use of Accessories and components in the operating state.
4. A readily accessible disconnect device shall be incorporated in the building installation wiring.
5. The instructions may include the product Load Ratings or those ratings shall be placed on the product. Maximum weight to be installed in the unit is 25 lbs
6. Only Listed ITE products shall be installed within the enclosure.
7. This product is to be repaired by personnel trained by the manufacturer or returned to the manufacturer for repair or replacement.
8. All knockouts, openings, and holes shall be sealed with a plug constructed of metal, or a non-metal material that complies with UL 2043 or UL 1479.
9. All unused mounting holes should be sealed with tape or other material that complies with UL 1479.
10. AC power is NOT to be used inside the enclosure
11. See OSHPD approved installation drawings where applicable.