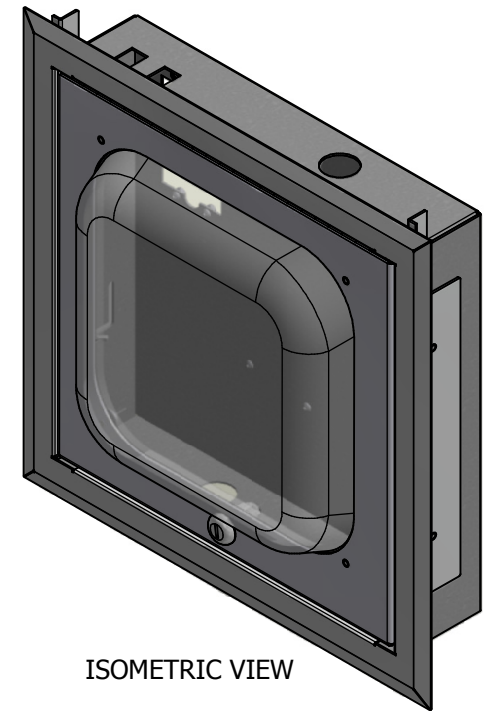
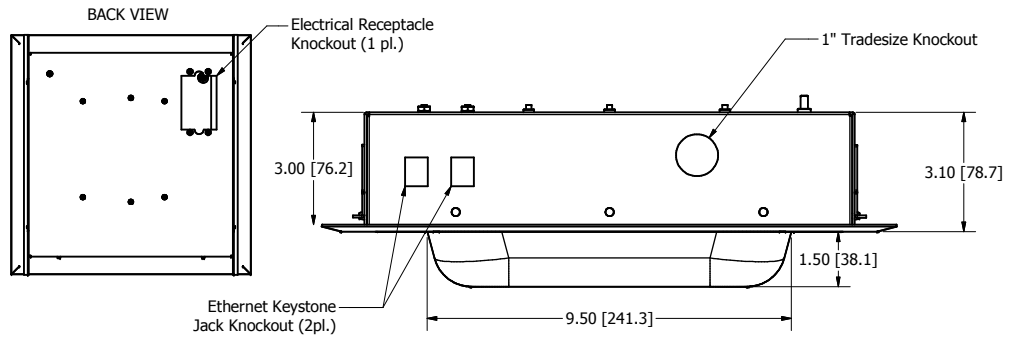
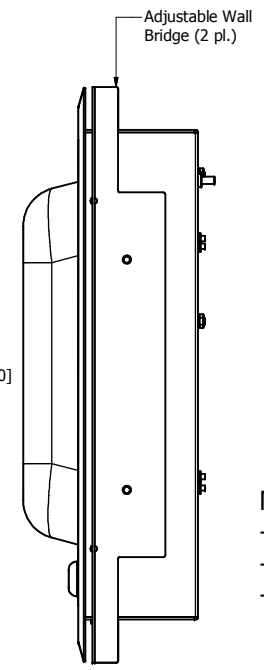
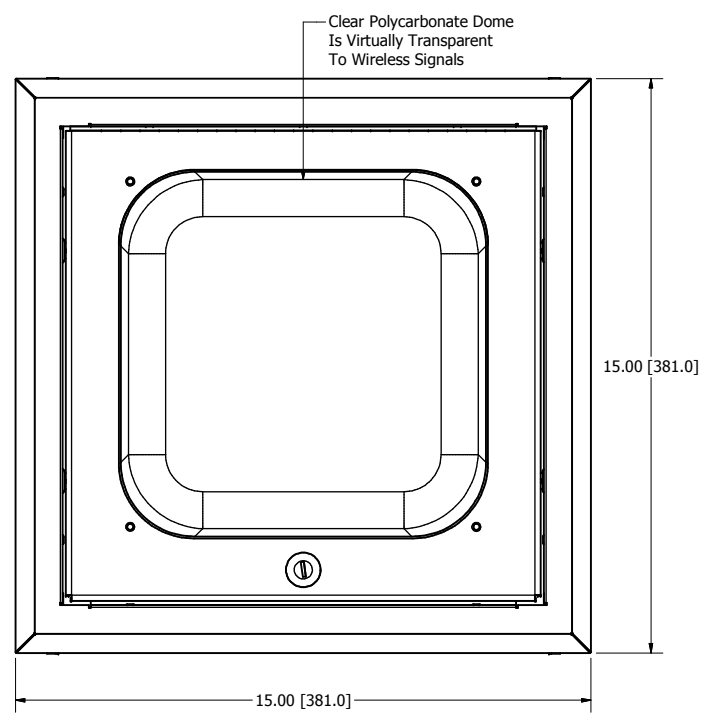
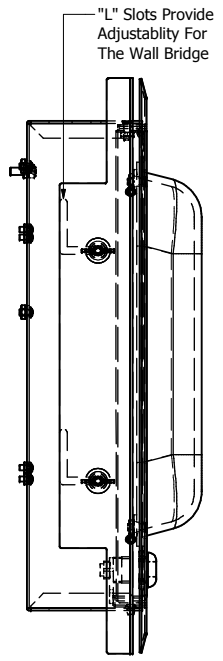


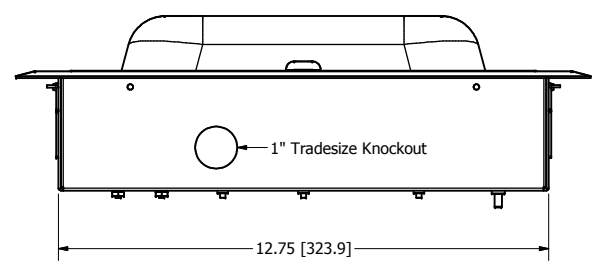
REVISION HISTORY				
ZONE	REV	DESCRIPTION	DATE	APPROVED
All	1	Released	1/31/2018	ATK



ISOMETRIC VIEW



- NOTES:**
- UL Listed NWIN: File No. E348543
 - Weight: 11 lbs.
 - Material: 16 Ga. Galvaneal Backbox
14 Ga. White Powder Coated Steel Door
18 Ga. White Powder Coated Steel Flange
Clear Polycarbonate Dome
 - Includes: (2) Wall Bridge
(1) Universal T-Bar Mount
(1) Fire Stop Grommet
(4) Eyebolt
(1) Caddy Speed Link™ support wire



DRAWN	4/3/2013	Oberon, Inc. - 1315 S. Allen St. - State College, PA 16801		
CHECKED		TITLE		
MDA	4/3/2013	Model 1076-CP		
QA				
MFG	4/3/2013	SIZE	DWG NO	REV
MDA	4/3/2013	C	2007	1
APPROVED		SCALE		
MDA	4/3/2013			SHEET 1 OF 1
TOLERANCE:	.0 = +/- .030 .00 = +/- .015 .000 = +/- .005			