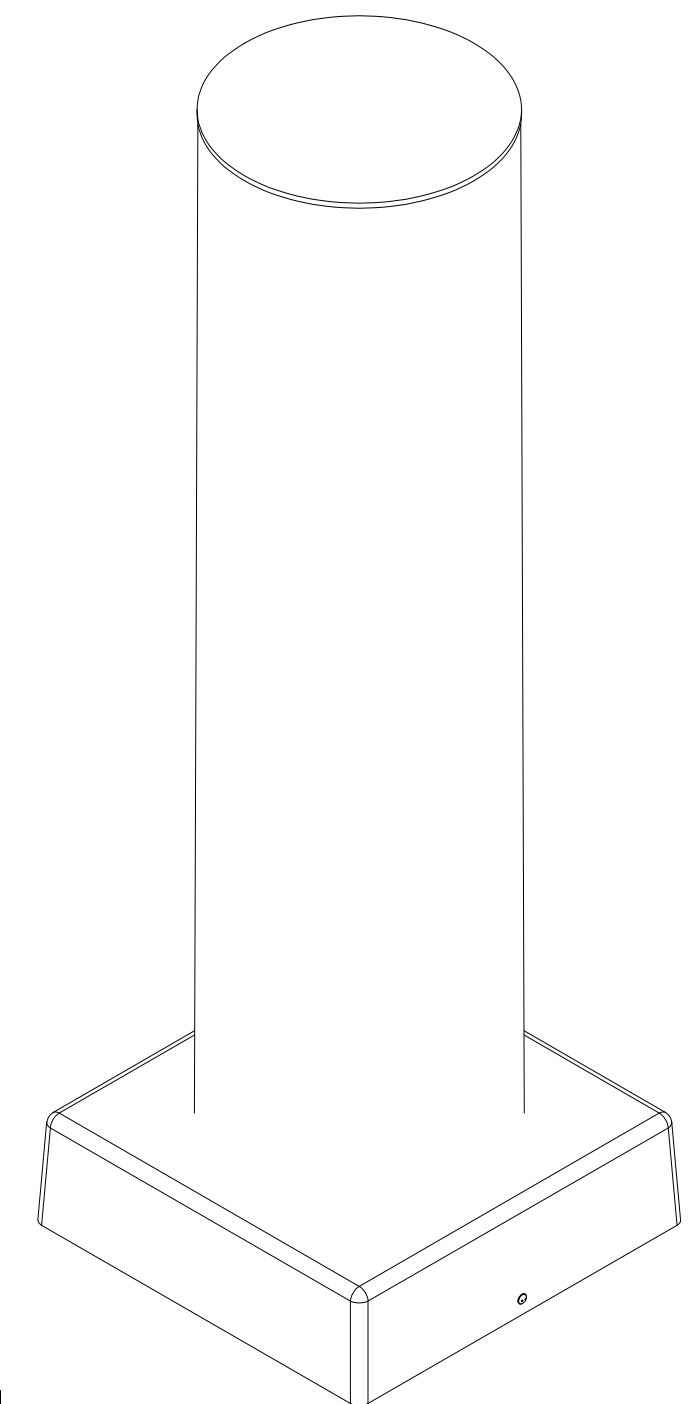
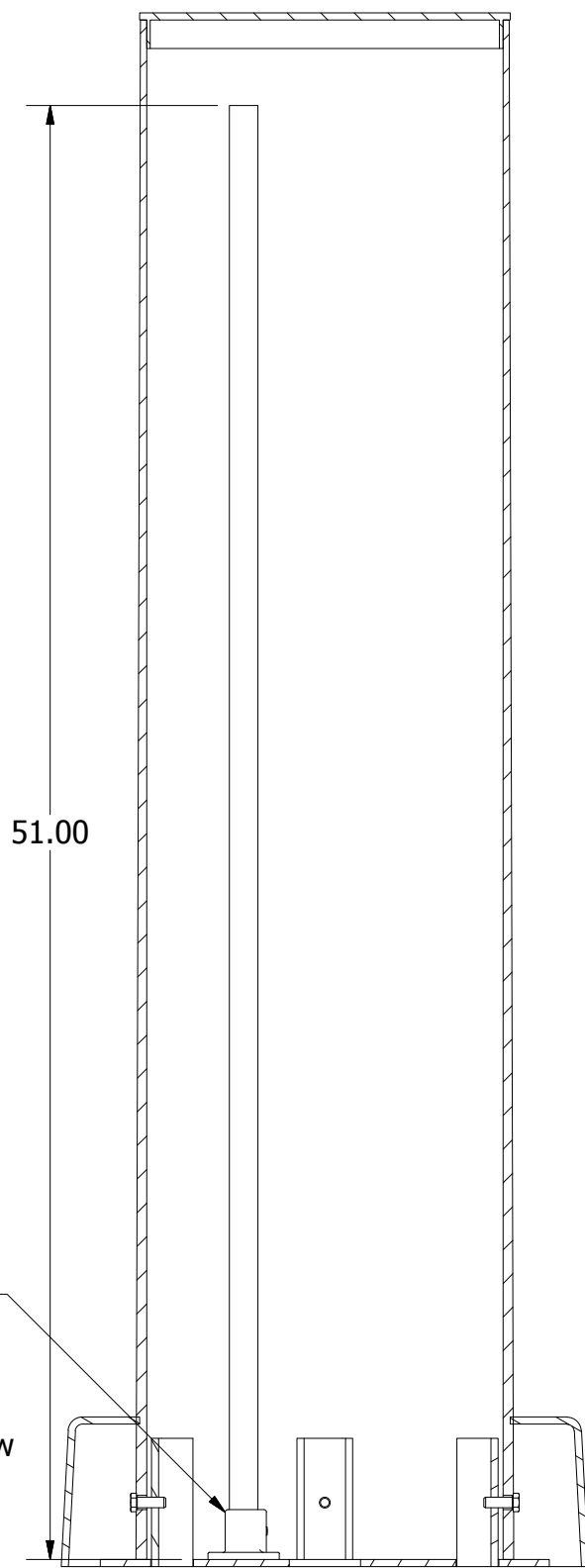
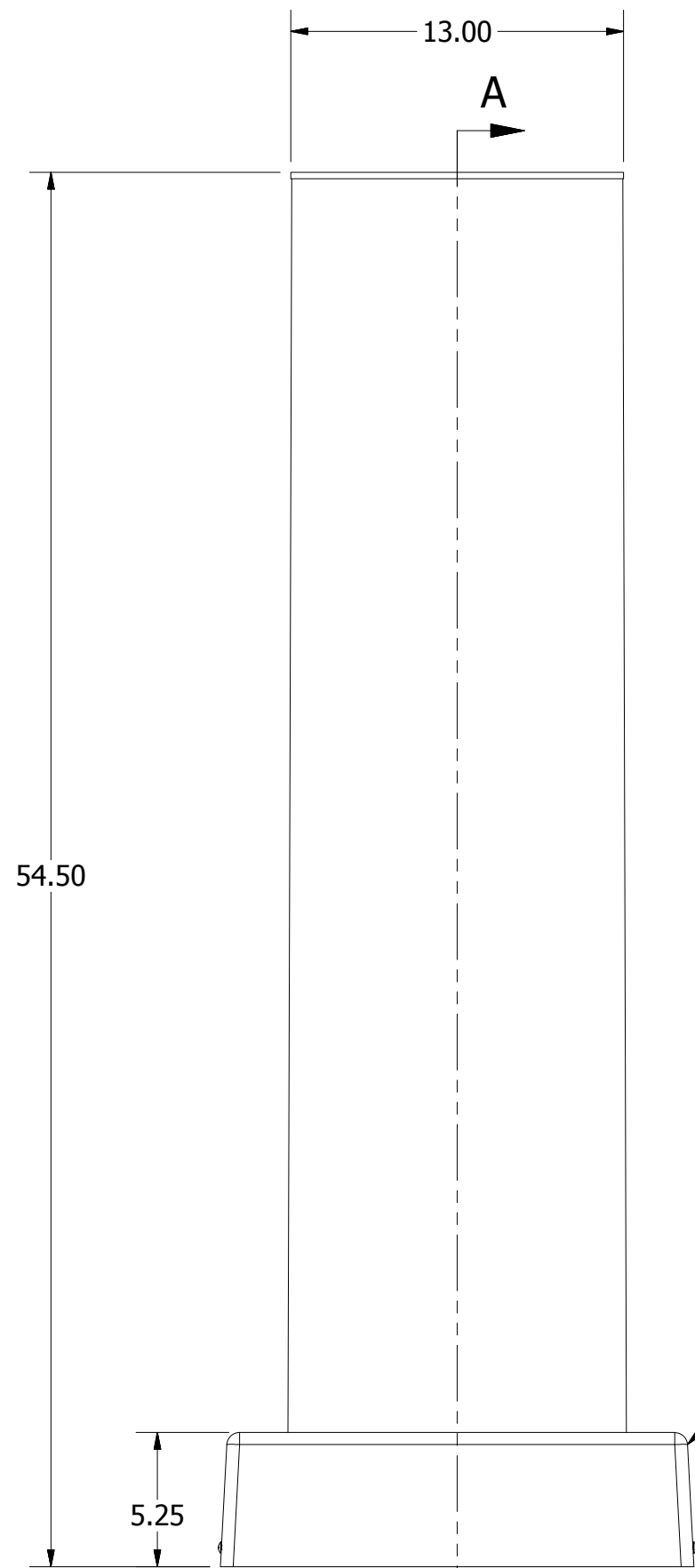
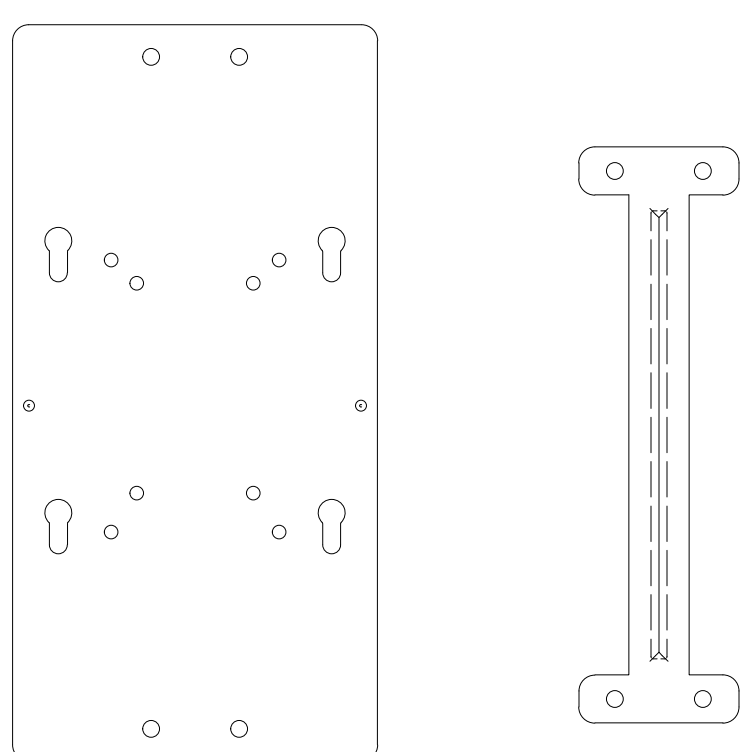
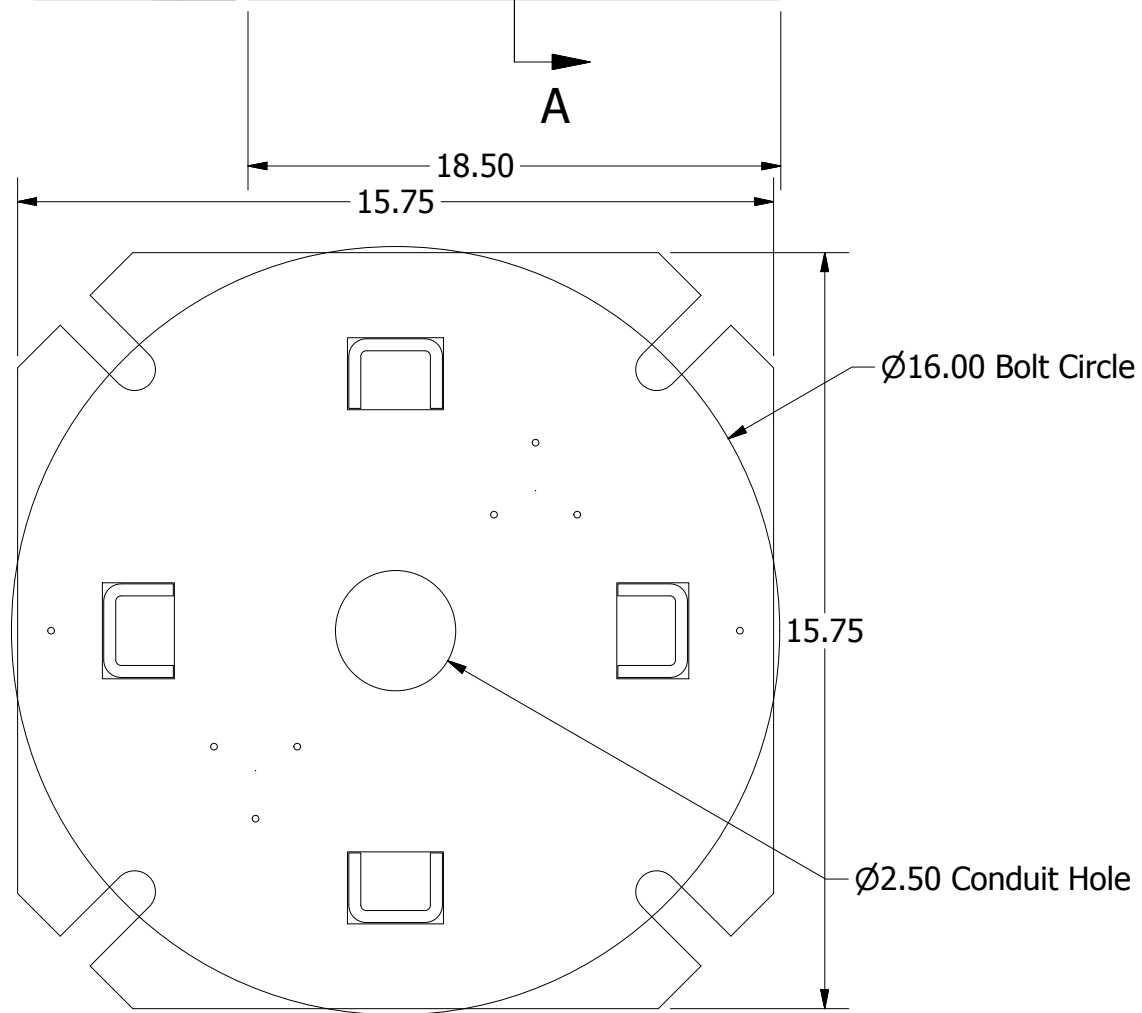


REVISION HISTORY				
ZONE	REV	DESCRIPTION	DATE	APPROVED
All	1	Released	5/18/2017	EAS



- NOTE:**
- Includes:
- (1) Fiberglass Bollard
 - (1) Thermoplastic ABS Bolt Cover
 - (1) Galvanized Steel Anchor Base
 - (2) Bolt Cover Tab
 - (1) 1" Fiberglass Equipment Pole
 - (1) 1" Pole Fitting
 - (2) 1 1/8" Galvanized U-Bolts
 - (1) Cisco AP Mounting Plate
 - (1) T-Bar Bracket
 - (3) #8-32 x 1/2" Flat Head Screws
 - (4) #8-32 x 1/4" Pan Head Screws
 - (4) 3/8-16 Hex Bolts
 - (2) #10-32 x 3/4" Spanner Truss Head Screws
 - (2) #10-32 x 3/4" Phillips Truss Head Screws



Anchor Base

Cisco AP Mounting Plate and T-Bar Bracket

DRAWN EAS	3/23/2017	Oberon, Inc. - 1315 S. Allen St. - State College, PA 16801		
CHECKED EAS	3/23/2017	TITLE		
QA		Model 3030-BK-AB Customer Print		
MFG EAS	3/23/2017	SIZE C	DWG NO 2993	REV 1
APPROVED EAS	3/23/2017	SCALE	SHEET 1 OF 1	
TOLERANCE:		.0 = +/- .030 .00 = +/- .015 .000 = +/- .005		