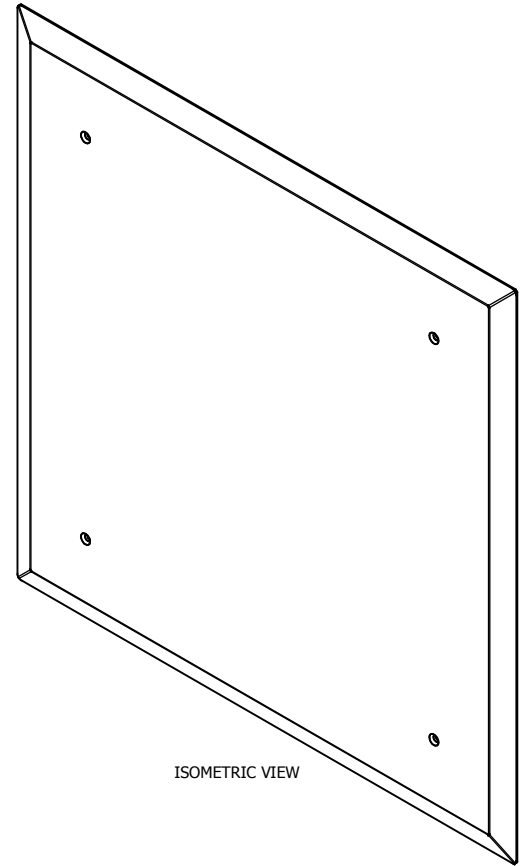
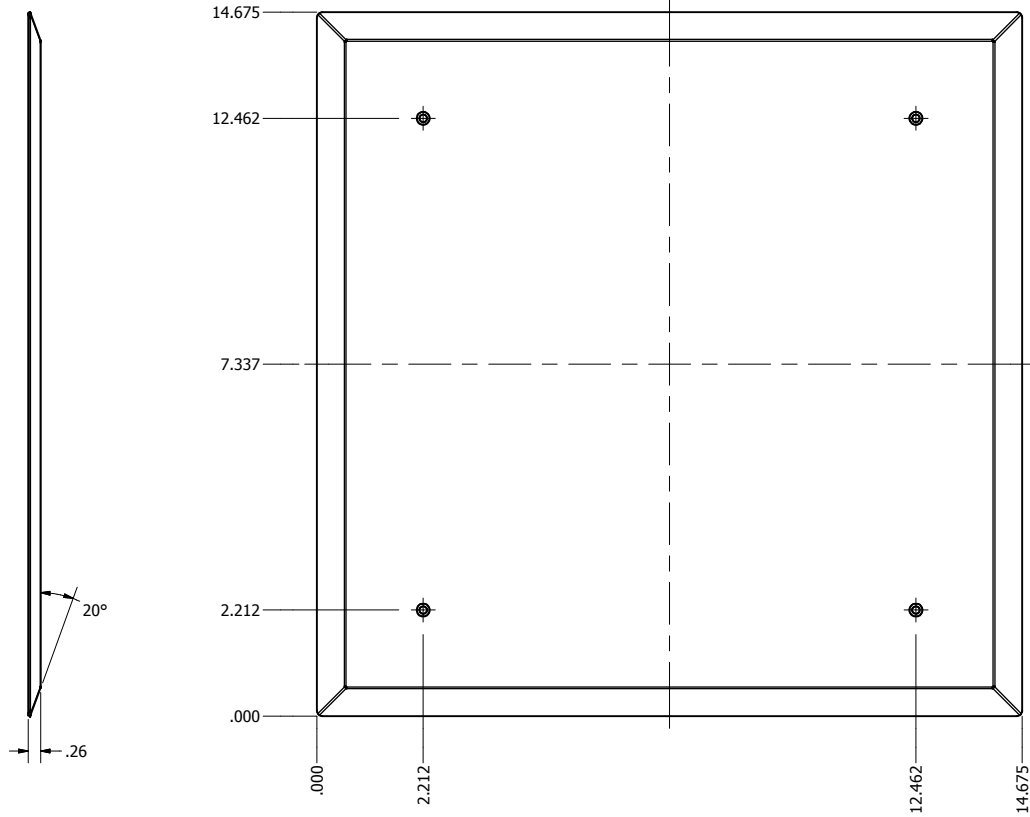


REVISION HISTORY				
ZONE	REV	DESCRIPTION	DATE	APPROVED
All	1	Released	7/1/2015	RLC



NOTE:
 - Material: 18 GA. (.048") Steel
 - Finish: White Powder Coat

NOTE: All materials used in the construction of Oberon products must be RoHS compliant and meet RoHS2 Directive 2011/65/EU. Contact Oberon engineering if RoHS compliant materials are not available.

DRAWN	RLC	2/1/2017	Oberon, Inc. - 1315 S. Allen St. - State College, PA 16801	
CHECKED	RLC	2/1/2017	TITLE	
QA			Model 37-104X-BLANK-F	
MFG	RLC	2/1/2017	SIZE	DWG NO
APPROVED	RLC	2/1/2017	C	37-104X-BLANK
TOLERANCE:	.0 = +/- .030		SCALE	REV
	.00 = +/- .015			1
	.000 = +/- .005		SHEET 1 OF 1	