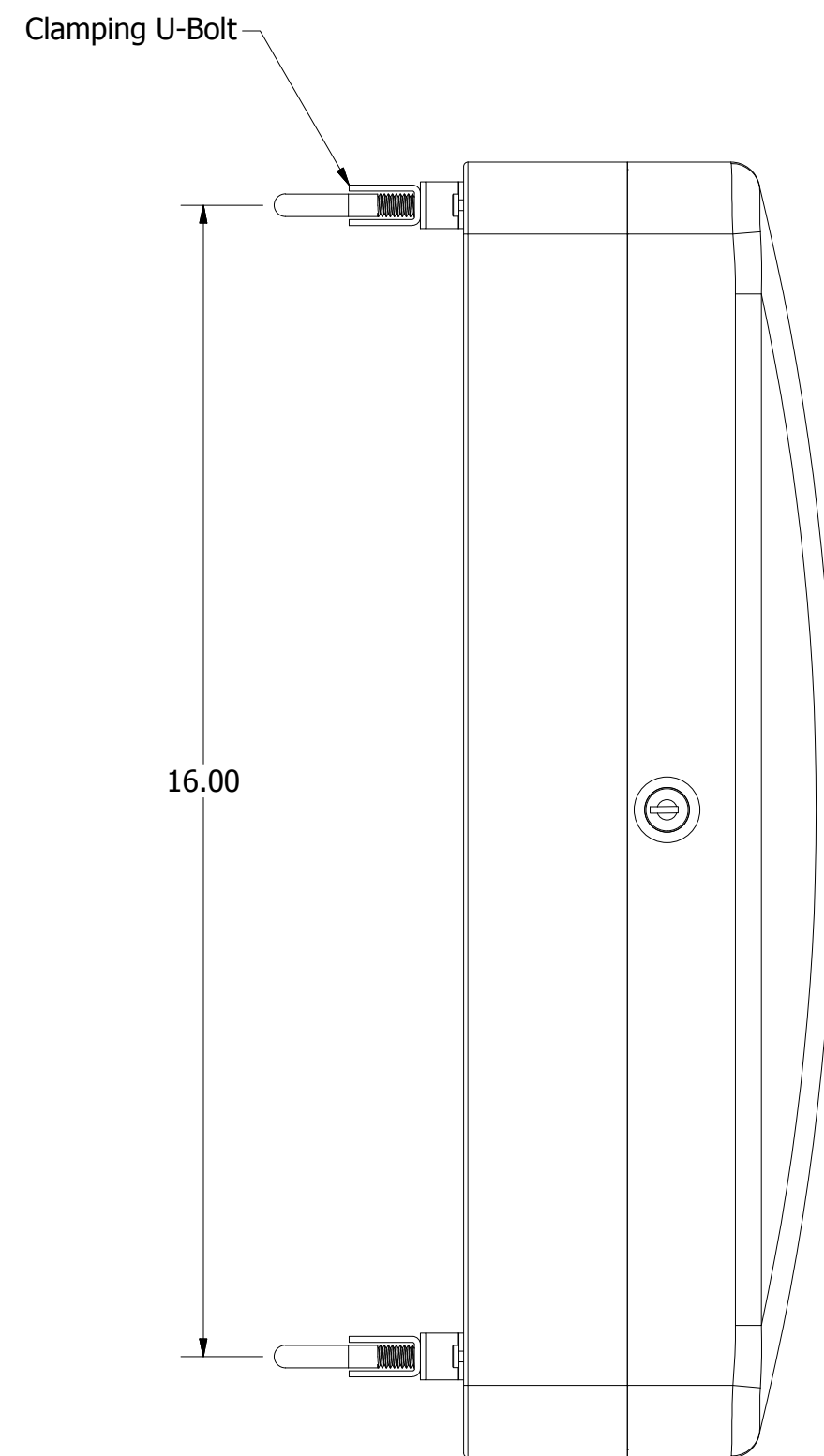
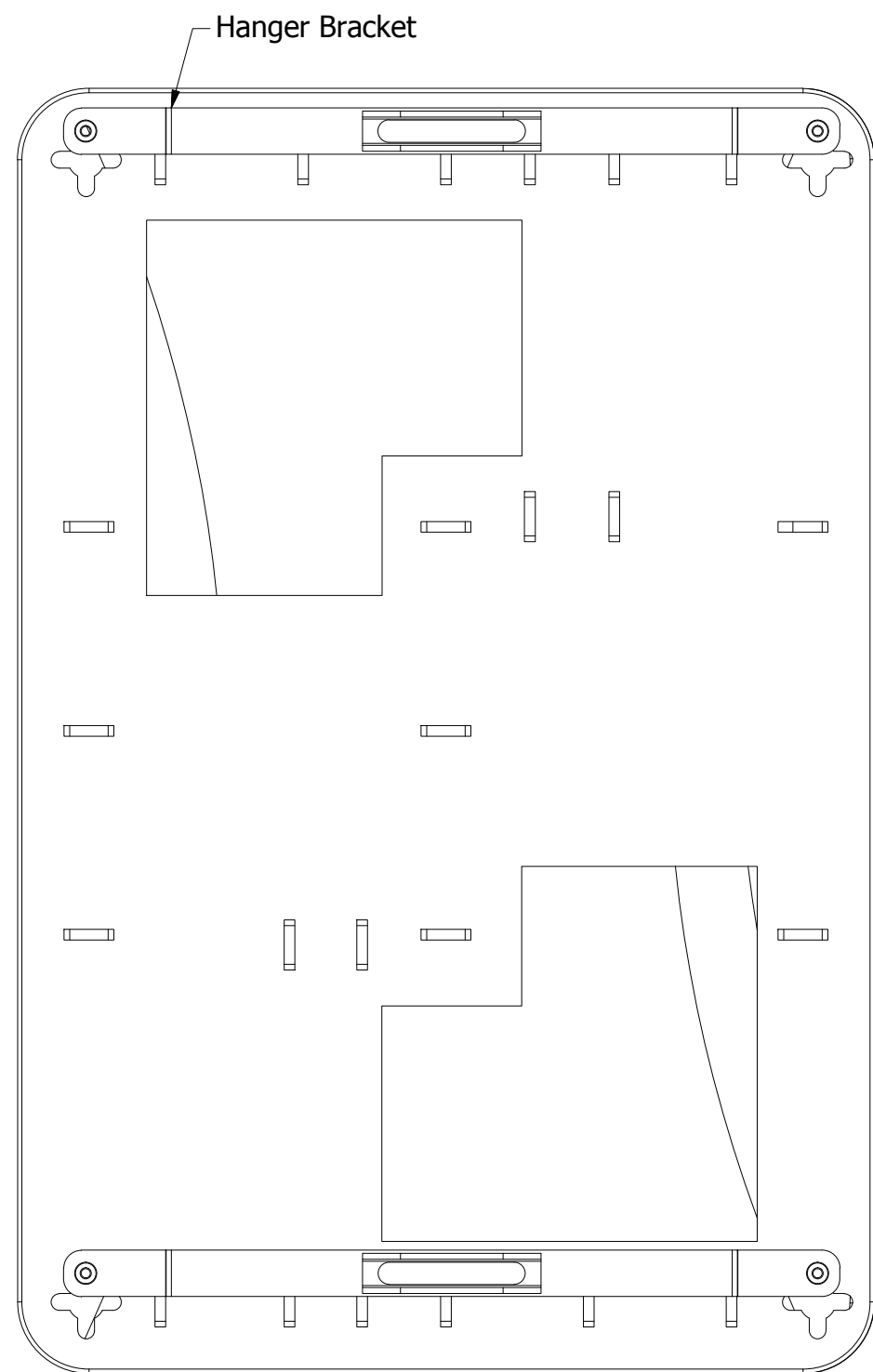
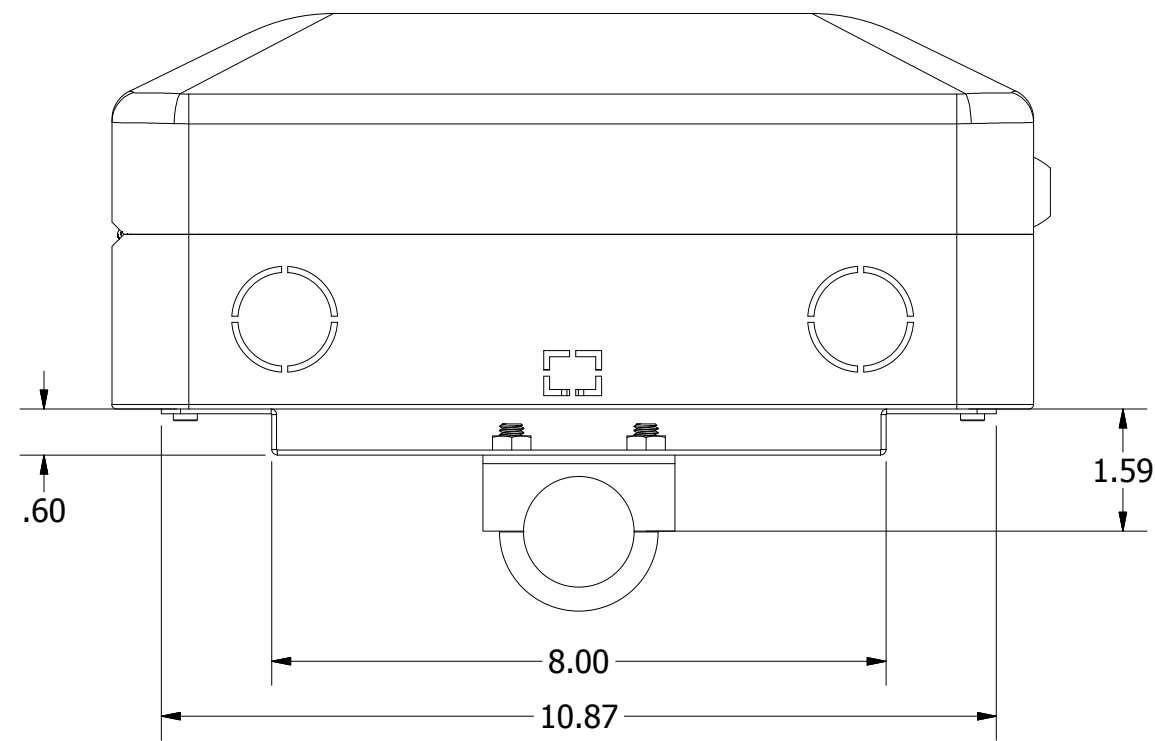


REVISION HISTORY				
ZONE	REV	DESCRIPTION	DATE	APPROVED
All	1	Released	12/13/2016	EAS



NOTE:

- Material: Galvanized Steel
 - Mounts Oberon Model 1016 to 1-3/8" Speaker Stands
- INCLUDES:**
- Speaker Mount Bracket (2X)
 - Clamping U-Boat (2X)
 - #8-32 x 1/2 Screws (4X)

* Model 1016 enclosure not included

DRAWN EAS	12/14/2016	Oberon, Inc. - 1315 S. Allen St. - State College, PA 16801		
CHECKED EAS	12/14/2016	TITLE		
QA				
MFG EAS	12/14/2016	Model 39-1016-SPKRMNT Customer Print		
APPROVED EAS	12/14/2016	SIZE C	DWG NO 2919	REV 1
TOLERANCE:	.0 = +/- .030 .00 = +/- .015 .000 = +/- .005	SCALE	SHEET 1 OF 1	