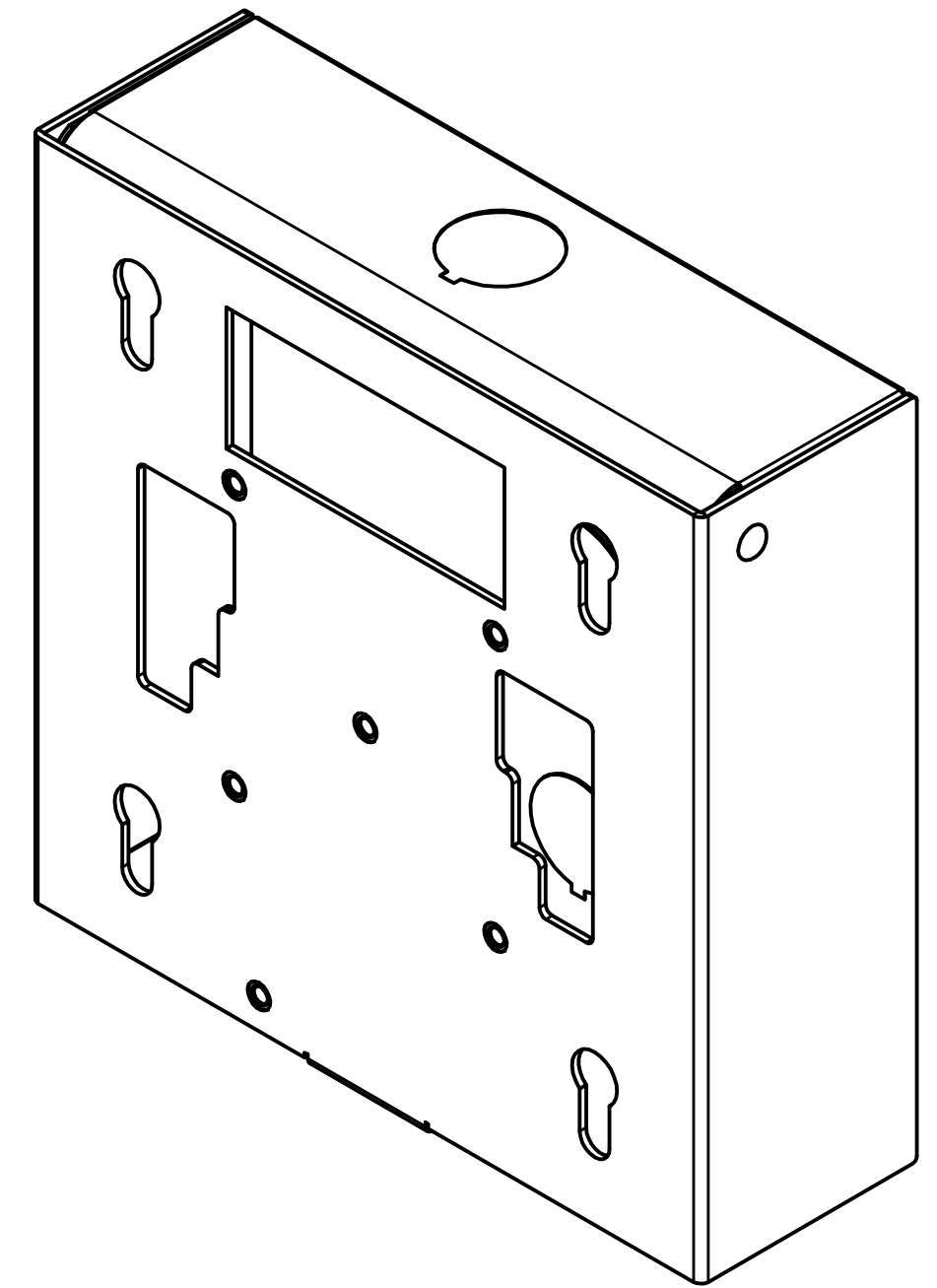
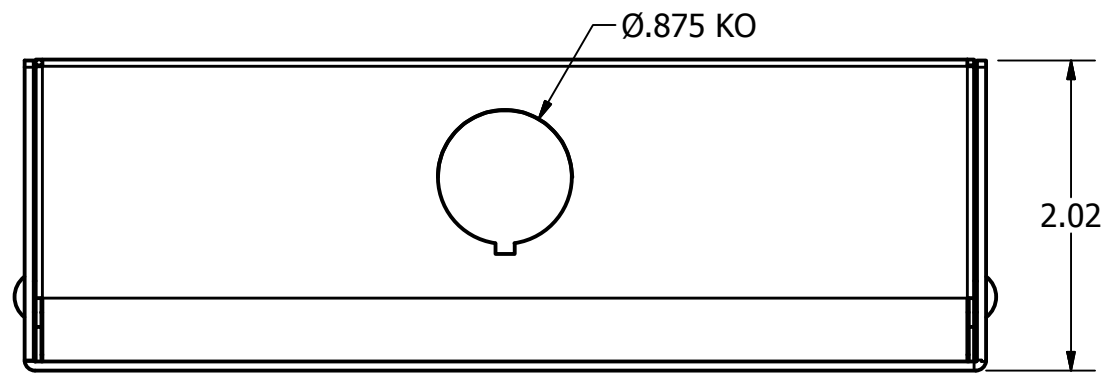
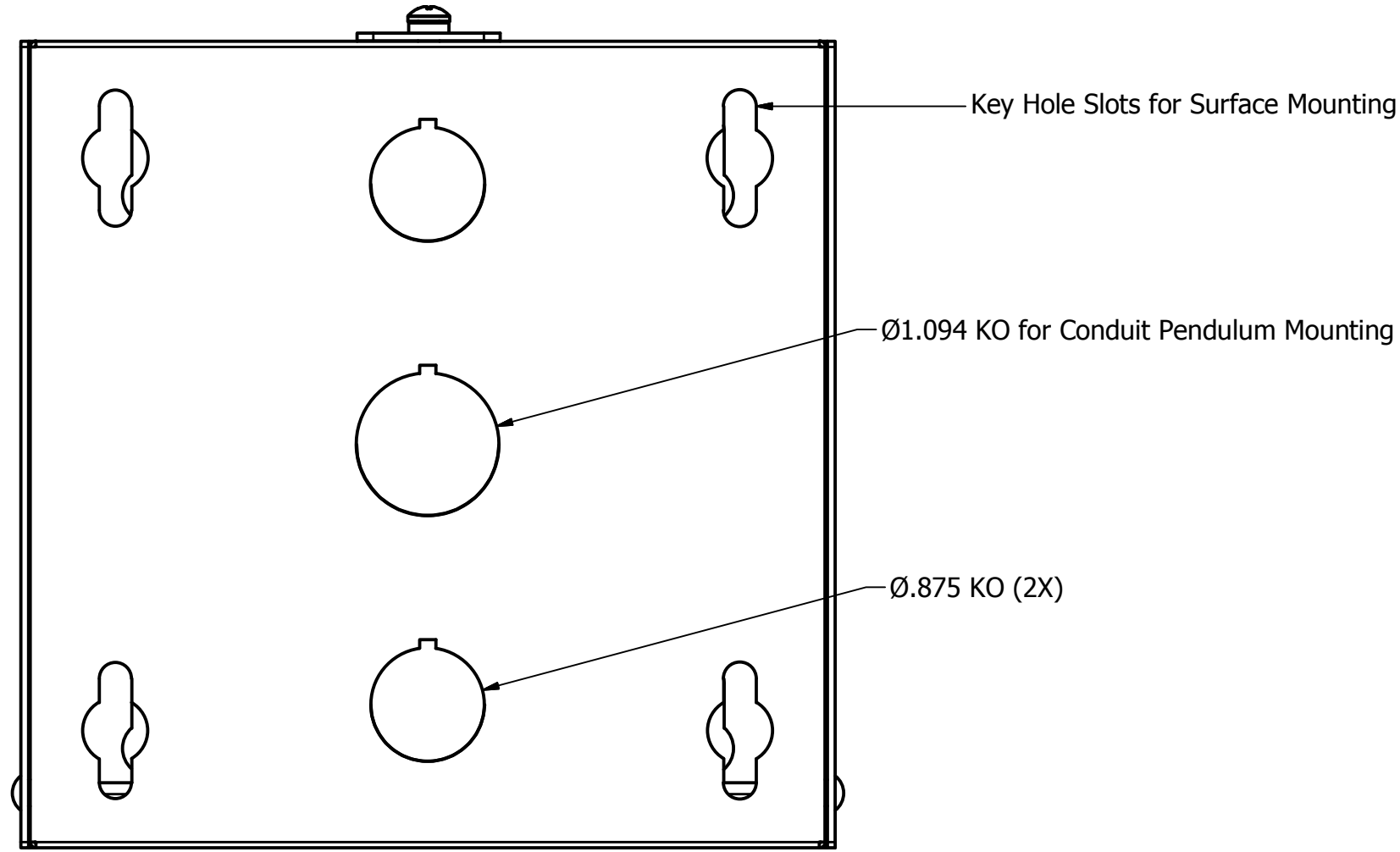
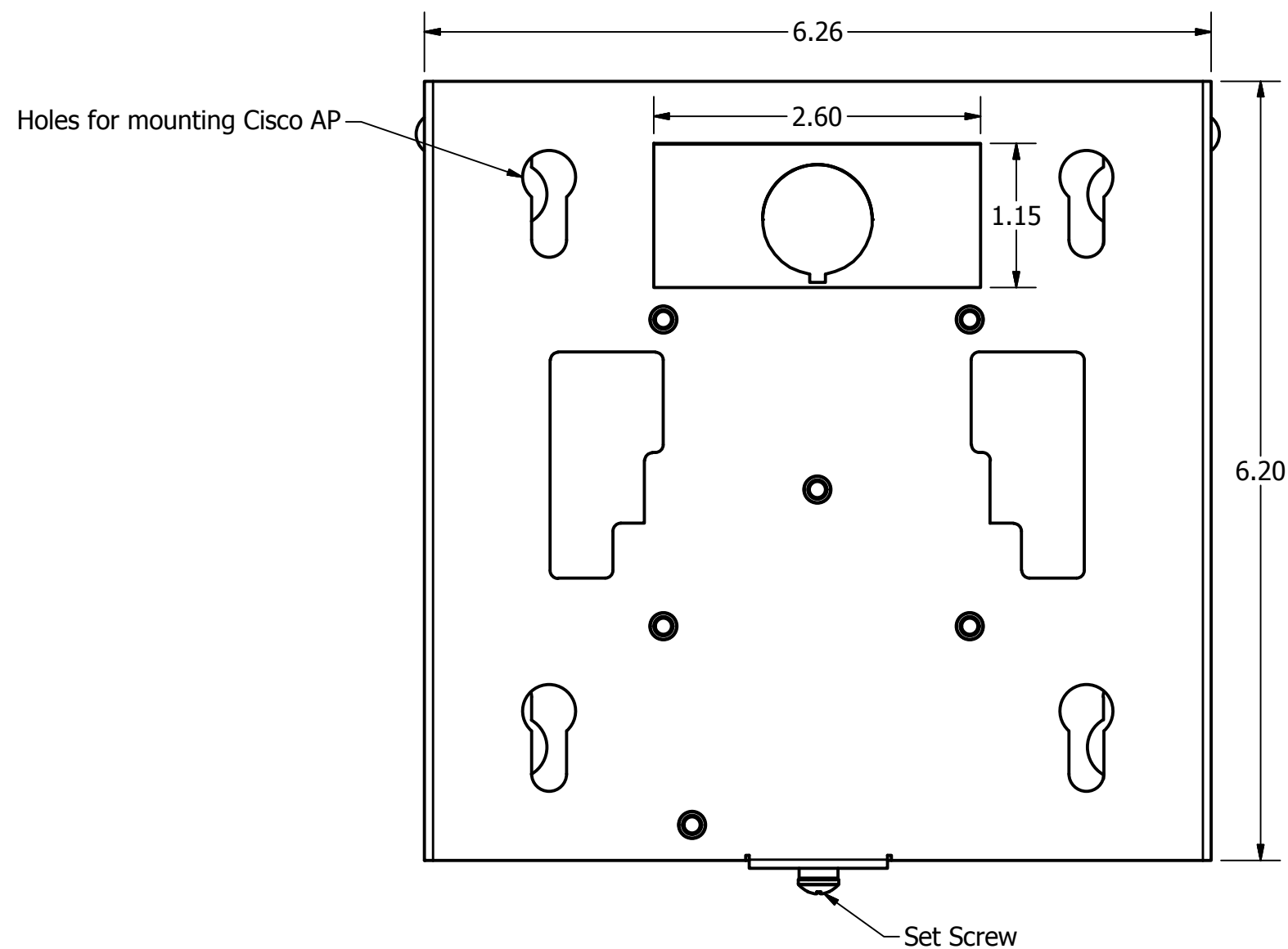


| REVISION HISTORY | | | | |
|------------------|-----|-------------|-----------|----------|
| ZONE | REV | DESCRIPTION | DATE | APPROVED |
| All | 1 | Released | 6/27/2016 | KMK |



ISOMETRIC VIEW



Note:

- Construction: 16 Ga. White Powder Coated Steel
- Includes: AP Mount (1)
- #8-32 x 1/4" Pan Head Screw (4)
- Cable Tie (1)

| | | | | |
|-----------------|----------|--|----------------|----------|
| DRAWN KMK | 8/9/2016 | Oberon, Inc. - 1315 S. Allen St. - State College, PA 16801 | | |
| CHECKED KMK | 8/9/2016 | TITLE | | |
| QA | | Model 900-HC Customer Print | | |
| MFG KMK | 8/9/2016 | SIZE C | DWG NO 2477 | REV 1 |
| APPROVED KMK | 8/9/2016 | SCALE | SHEET 1 OF 1 | |
| TOLERANCE: | | .0 = +/- .030 .00 = +/- .015 .000 = +/- .005 | | |