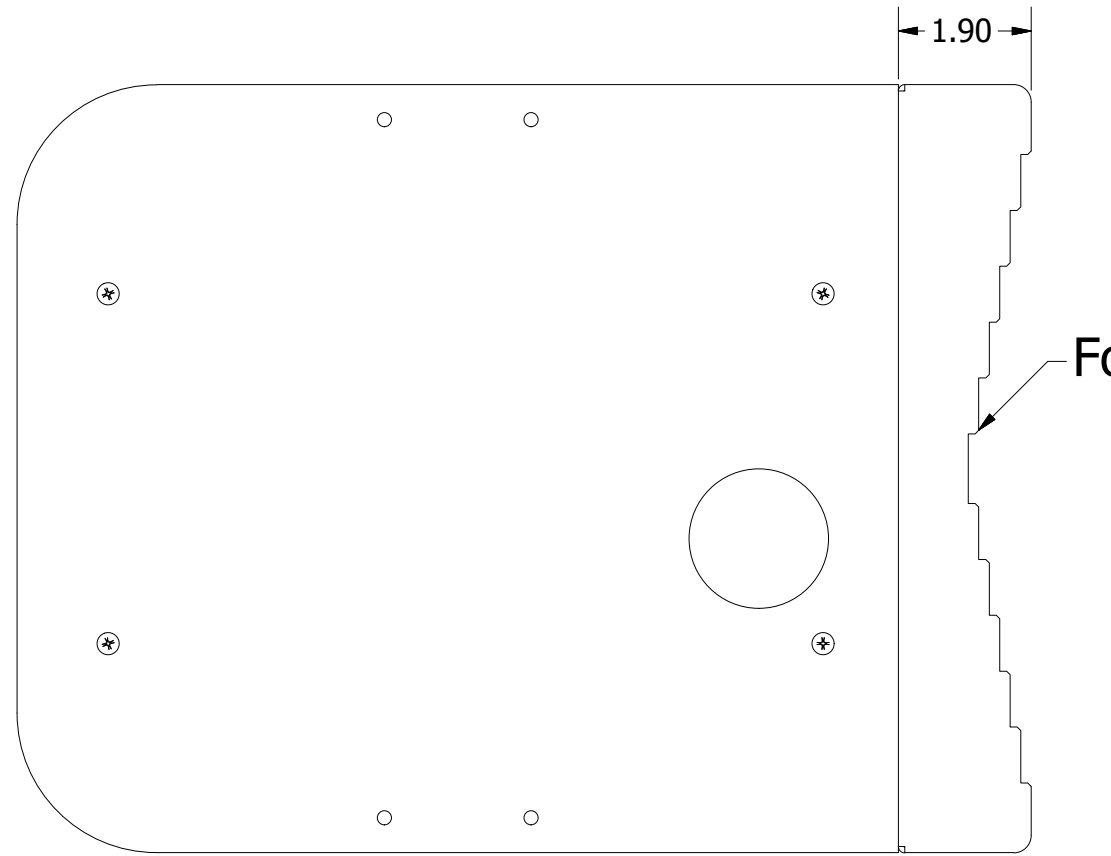


Horizontal Mounting
Shown with Model 1020-RAB

REVISION HISTORY				
ZONE	REV	DESCRIPTION	DATE	APPROVED
All	1	Released	10/11/2016	EAS

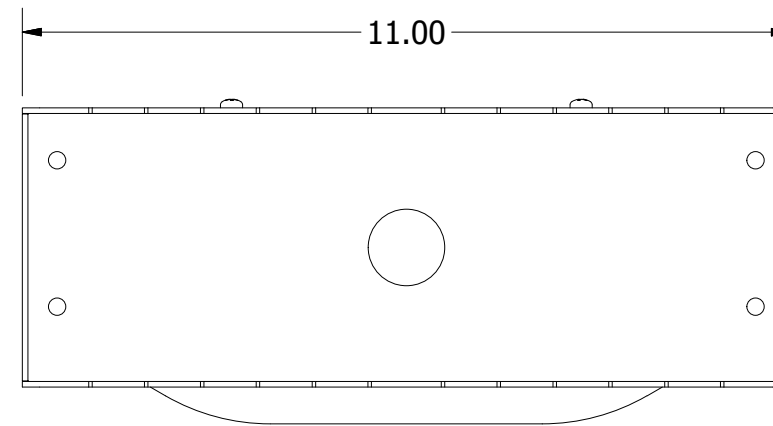
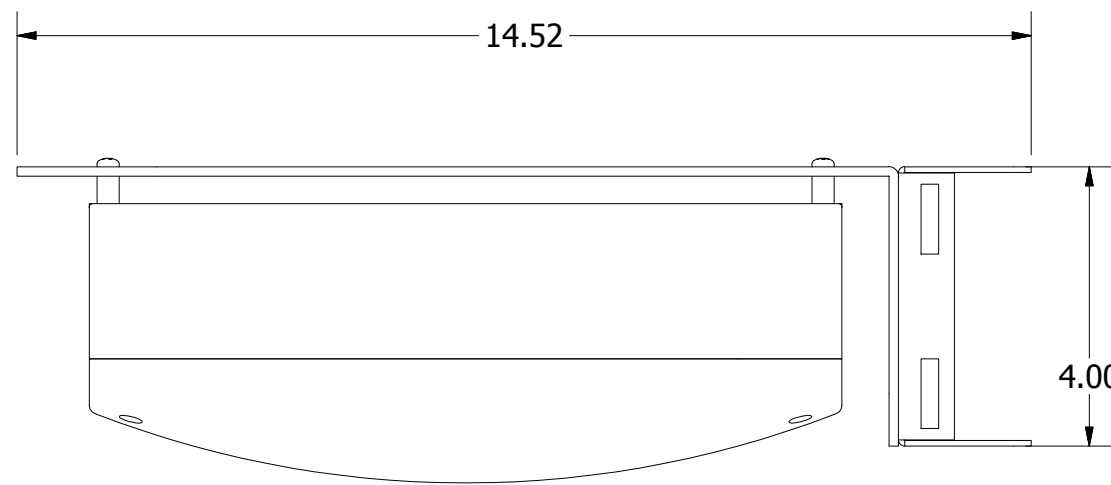
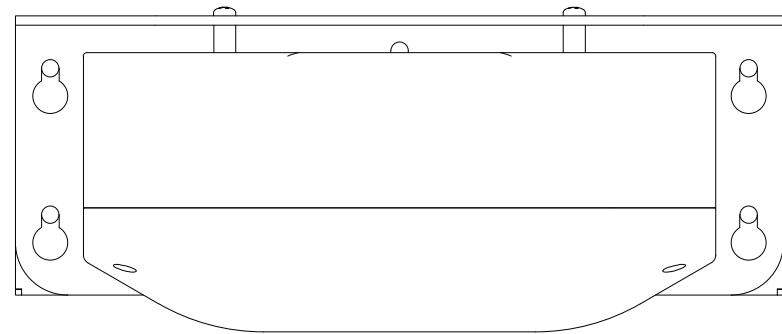
D

D



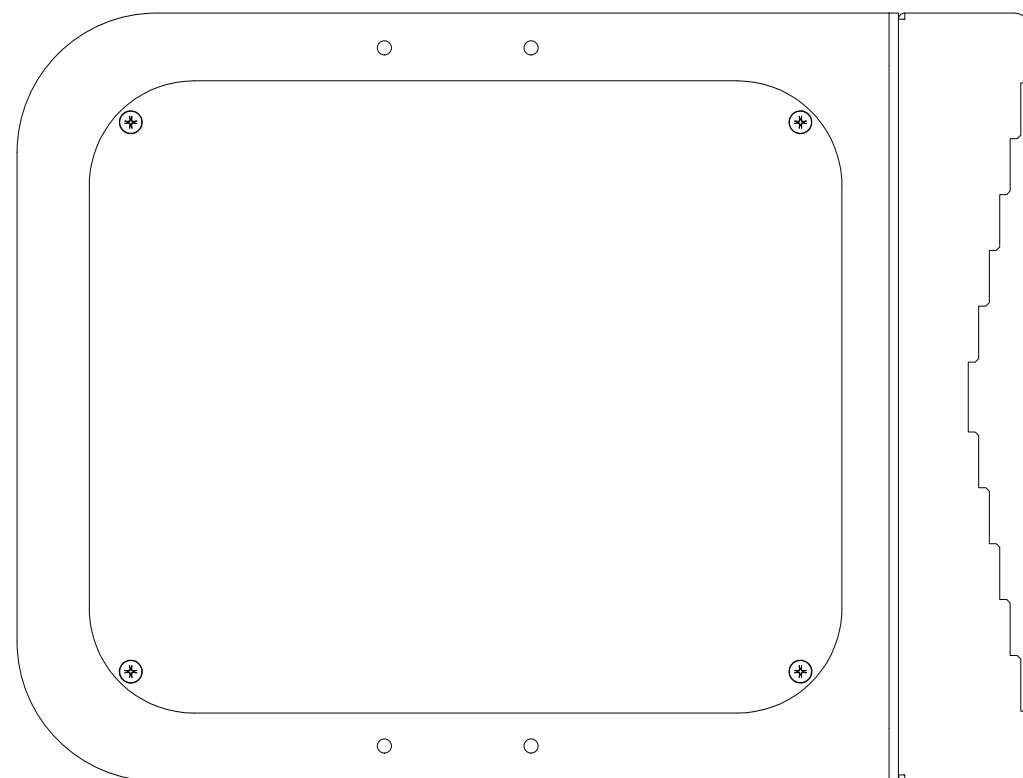
C

C



B

B



NOTE:

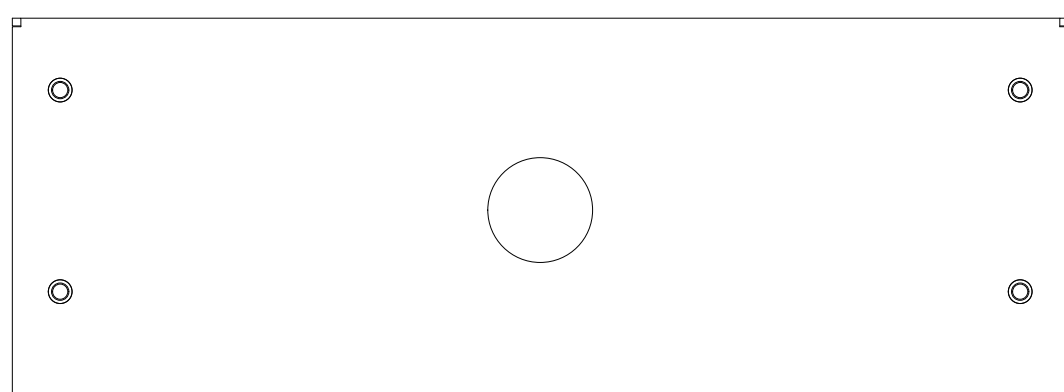
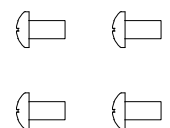
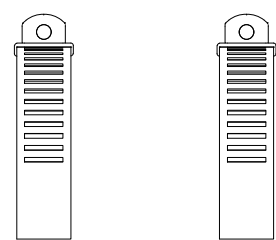
- Material:
12 Ga. Gray Powder Coated Aluminum
- Includes:
Pole Mount Bracket
#10 x 3/8" Screw (4)
Worm Drive Band Clamp (2)
- Weight: 2 lbs

B

B

A

A



Pole Mount Kit

DRAWN EAS	7/22/2016	Oberon, Inc. - 1315 S. Allen St. - State College, PA 16801		
CHECKED EAS	7/22/2016	TITLE		
QA		Model 39-1020-PMK Customer Print		
MFG EAS	7/22/2016	SIZE C	DWG NO Model39-1020-PMK_Customer_Print	REV
APPROVED EAS	7/22/2016	SCALE	SHEET 1 OF 2	
TOLERANCE:		.0 = +/- .030 .00 = +/- .015 .000 = +/- .005		

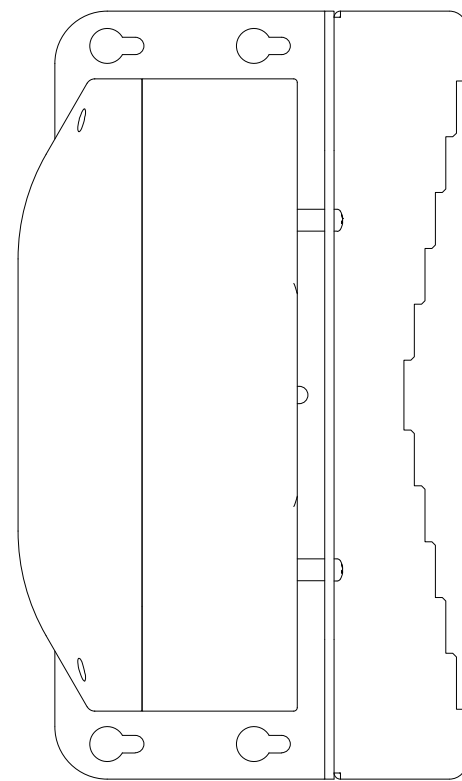
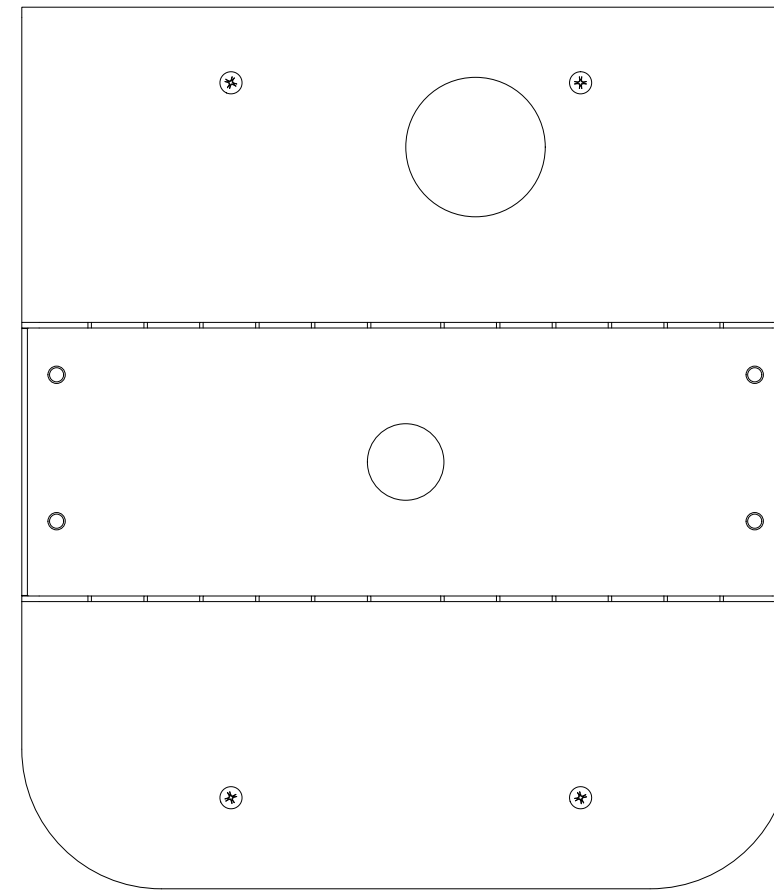
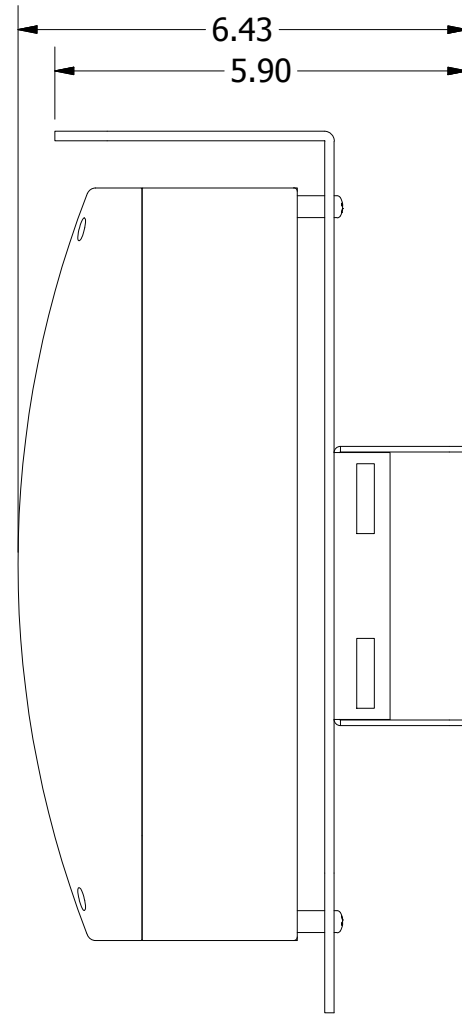
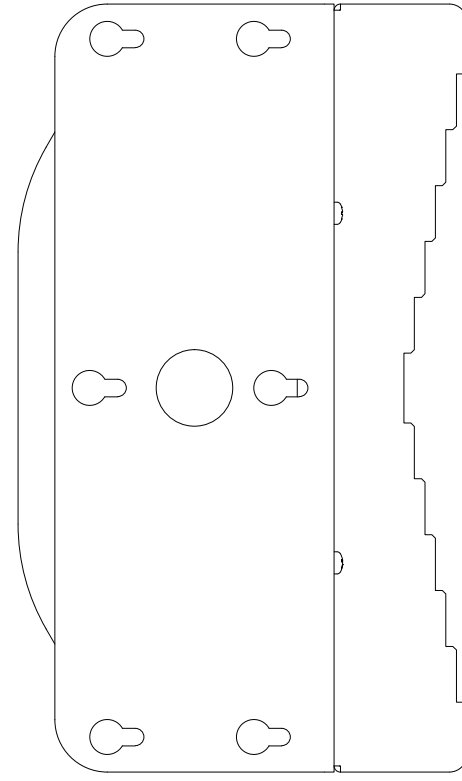
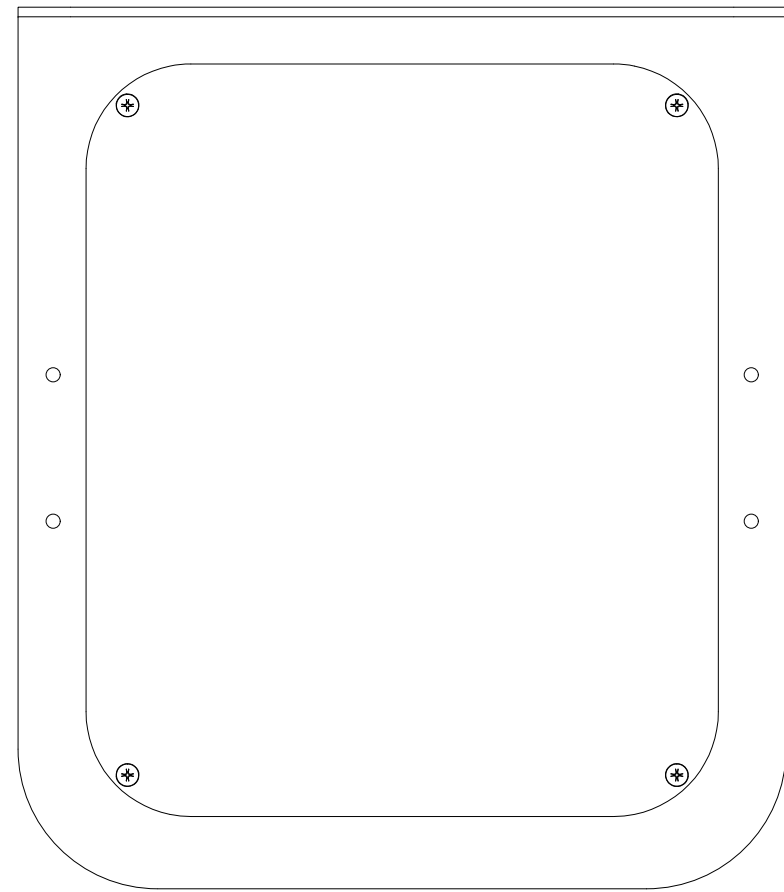
4

3

2

1

Vertical Mounting
Shown with Model 1020-RAB



DRAWN EAS	7/22/2016	Oberon, Inc. - 1315 S. Allen St. - State College, PA 16801		
CHECKED EAS	7/22/2016	TITLE		
QA		Model 39-1020-PMK Customer Print		
MFG EAS	7/22/2016	SIZE C	DWG NO Model39-1020-PMK_Customer_Print	REV
APPROVED EAS	7/22/2016	SCALE	SHEET 2 OF 2	
TOLERANCE:		.0 = +/- .030 .00 = +/- .015 .000 = +/- .005		