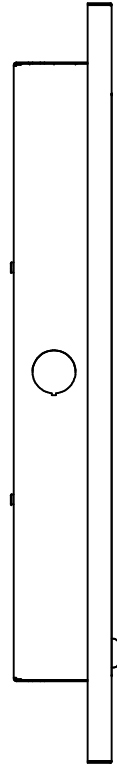
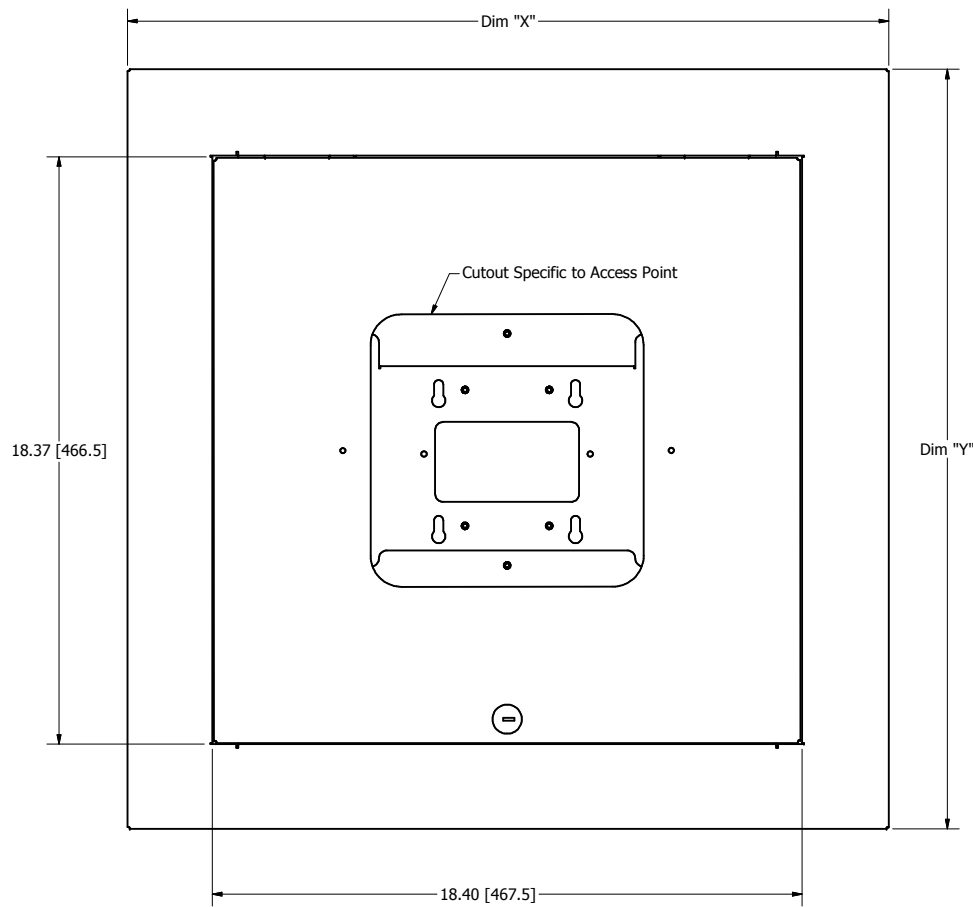
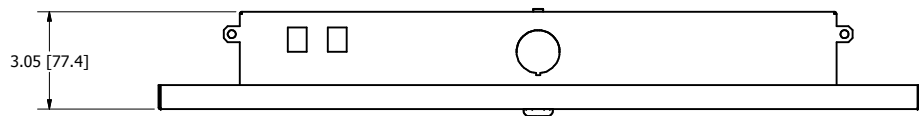


REVISION HISTORY				
ZONE	REV	DESCRIPTION	DATE	APPROVED
All	1	Released	5/25/2018	RLC



**NOTES:**

- Weight: 16 lbs. (7.3 kg.)
- Material: 20 Gauge Galvanized Steel Backbox  
18 Gauge Steel Door White Powder Coat  
18 Gauge Steel Flange White Powder Coat

**Includes:**

- Fire Foam Grommet
- Conduit Fittings
- Installation Hardware Specific to Access Point

UL Listed - File Number E348543  
OSHPD Approved - OPM-0110-13

FLANGE DIMENSIONS		
Flange Style	Dim X	Dim Y
1047-XXXX (U.S. Size)	23.75"	23.75"
1047-XXXX-T (U.S. Size)	23.75"	23.75"
1047-XXXX-600MM (Metric Size)	594 MM	594 MM

NOTE: All materials used in the construction of Oberon products must be RoHS compliant and meet RoHS2 Directive 2011/65/EU. Contact Oberon engineering if RoHS compliant materials are not available.

DRAWN RLC	5/25/2018	Oberon, Inc. - 1315 S. Allen St. - State College, PA 16801		
CHECKED RLC	5/25/2018	TITLE		
QA		Model 1047 Series - Customer Print		
MFG RLC	5/25/2018	SIZE C	DWG NO Model1047	REV 1
APPROVED RLC	5/25/2018	SCALE	SHEET 1 OF 2	
TOLERANCE:	.0 = +/- .030 .00 = +/- .015 .000 = +/- .005			

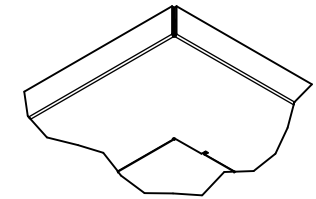
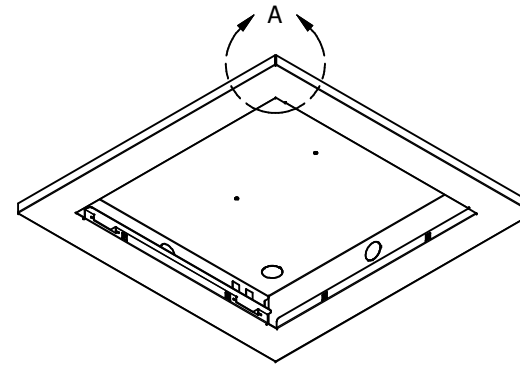
Please specify configuration when ordering:

1047 - \_\_\_\_\_ - \_\_\_\_\_ - \_\_\_\_\_

BASE - AP DOOR - TILE TYPE - TILE SIZE  
 (see Configurations) T for tegular flange, (\*600MM for European metric ceiling grid, leave blank for 24" tile)

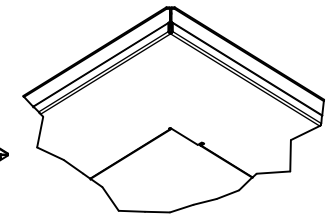
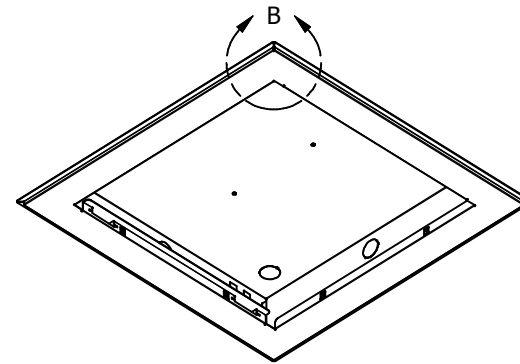
Configuration Table					
MODEL NUMBER	BASE	AP DOOR	TILE TYPE	TILE SIZE	ACCESS POINT
1047-AP325	1047	AP325			Aruba AP325
1047-AP325-T	1047	AP325	Tegular (T)		Aruba AP325
1047-AP325-600MM	1047	AP325		600 MM	Aruba AP325
1047-AP335	1047	AP335			Aruba AP335 or AP345
1047-AP335-T	1047	AP335	Tegular (T)		Aruba AP335 or AP345
1047-AP335-600MM	1047	AP335		600 MM	Aruba AP335 or AP345
1047-CCOAP	1047	CCOAP			Cisco 2600, 2700, 3500, 3600, 3700 Series APs
1047-CCOAP-T	1047	CCOAP	Tegular (T)		Cisco 2600, 2700, 3500, 3600, 3700 Series APs
1047-CCOAP-600MM	1047	CCOAP		600 MM	Cisco 2600, 2700, 3500, 3600, 3700 Series APs
1047-CCOAP3800	1047	CCOAP3800			Cisco 2800, 3800 Series APs
1047-CCOAP3800-T	1047	CCOAP3800	Tegular (T)		Cisco 2800, 3800 Series APs
1047-CCOAP3800-600MM	1047	CCOAP3800		600 MM	Cisco 2800, 3800 Series APs
1047-COAP4800	1047	COAP4800			Cisco 4800 Series APs
1047-COAP4800-T	1047	COAP4800	Tegular (T)		Cisco 4800 Series APs
1047-COAP4800-600MM	1047	COAP4800		600 MM	Cisco 4800 Series APs
1047-HLA	1047	HLA			Cisco 3700 w/Hyper Location Antenna
1047-HLA-T	1047	HLA	Tegular (T)		Cisco 3700 w/Hyper Location Antenna
1047-HLA-600MM	1047	HLA		600 MM	Cisco 3700 w/Hyper Location Antenna
1047-LPDOME	1047	LPDOME			General Purpose, Works With Most APs
1047-LPDOME-T	1047	LPDOME	Tegular (T)		General Purpose, Works With Most APs
1047-LPDOME-600MM	1047	LPDOME		600 MM	General Purpose, Works With Most APs
1047-CCOAP-USCM	1047	CCOAP-USCM			Cisco APs with Universal Small Cell Module
1047-CCOAP-USCM-T	1047	CCOAP-USCM	Tegular (T)		Cisco APs with Universal Small Cell Module
1047-CCOAP-USCM-600MM	1047	CCOAP-USCM		600 MM	Cisco APs with Universal Small Cell Module
1047-MR42	1047	MR42			Meraki MR42
1047-MR42-T	1047	MR42	Tegular (T)		Meraki MR42
1047-MR42-600MM	1047	MR42		600 MM	Meraki MR42
1047-MR52	1047	MR52			Meraki MR52 or MR53
1047-MR52-T	1047	MR52	Tegular (T)		Meraki MR52 or MR53
1047-MR52-600MM	1047	MR52		600 MM	Meraki MR52 or MR53
1047-ND	1047	ND			N/A (No Door Included)
1047-ND-T	1047	ND	Tegular (T)		N/A (No Door Included)
1047-ND-600MM	1047	ND		600 MM	N/A (No Door Included)

### STANDARD "LAY-IN" FLANGE STYLE



DETAIL A  
SCALE 1 / 2

### "-T" TEGULAR FLANGE STYLE



DETAIL B  
SCALE 1 / 2

DRAWN RLC	5/25/2018	Oberon, Inc. - 1315 S. Allen St. - State College, PA 16801		
CHECKED RLC	5/25/2018	TITLE		
QA		Model 1047 Series - Customer Print		
MFG RLC	5/25/2018	SIZE C	DWG NO Model1047	REV 1
APPROVED RLC	5/25/2018	SCALE	SHEET 2 OF 2	
TOLERANCE:	.0 = +/- .030 .00 = +/- .015 .000 = +/- .005			