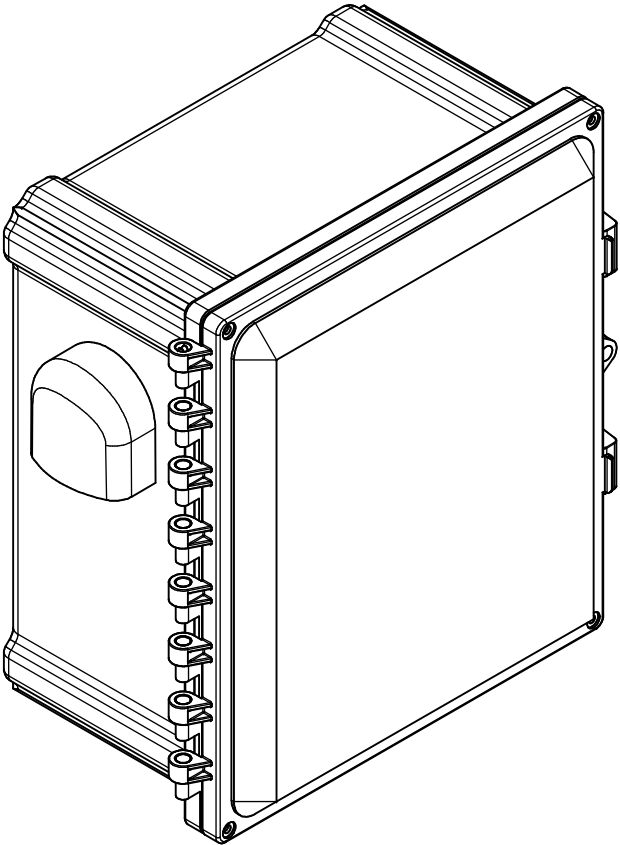


REVISION HISTORY				
ZONE	REV	DESCRIPTION	DATE	APPROVED
All	1	Released	5/14/2018	EAS
All	2	Updated Views, Notes, "Includes" List, and Configuration Table	9/23/2020	CAH



NOTES:

- Material: UL94-5VA Light Gray Polycarbonate Plastic Enclosure Base
- UL94-5VA Light Gray Polycarbonate Plastic Enclosure Door (For -00 SKUs Only)
- UL94-V0 Tinted Clear Polycarbonate Plastic Enclosure Door (For -C SKUs Only)
- UL94-5VA Black ABS Plastic Internal Mounting Plate
- UL94-5VA Light Gray Polycarbonate Plastic Mounting Feet

Includes:

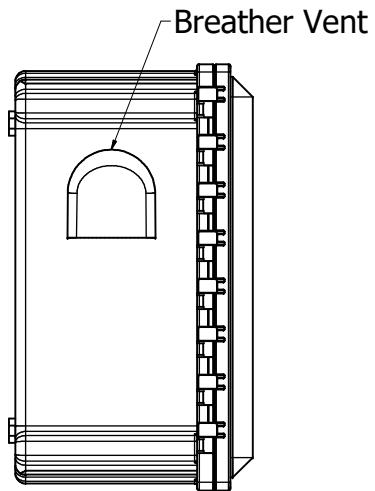
- (1) Enclosure
- (1) Internal Mounting Plate
- (4) Mounting Feet (For All SKUs Except -242410)
- (4) 1/4"-20 x 1/2 in. Mounting Feet Screws (For All SKUs Except -242410)
- (4) #10 x 3/8 in. Mounting Plate Screws
- (4) #10 x 5/8 in. Lid Screws
- (4) #10 Washers
- (4) Small Hole Covers
- (1) Large Hole Cover
- (1) NEMA 3R Breather Vent (For all SKUs Except -242410)
- (2) NEMA 3R Breather Vents (For -242410 SKUs Only)
- (1) Drain Vent

DRAWN CAH	9/23/2020	Oberon, Inc. - 1315 S. Allen St. - State College, PA 16801		
CHECKED CAH	9/23/2020	TITLE		
QA		Model 1026-XX-V		
MFG CAH	9/23/2020	SIZE C	DWG NO 1026-XX-V	REV 2
APPROVED CAH	9/23/2020	SCALE	SHEET 1 OF 2	
TOLERANCE:				
.0 = +/- .030				
.00 = +/- .015				
.000 = +/- .005				

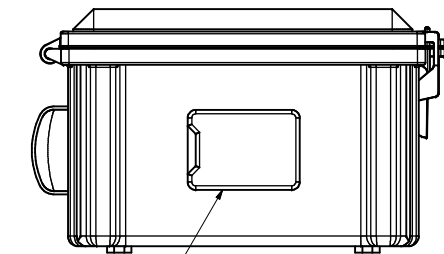
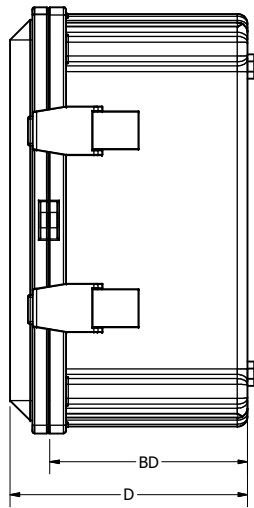
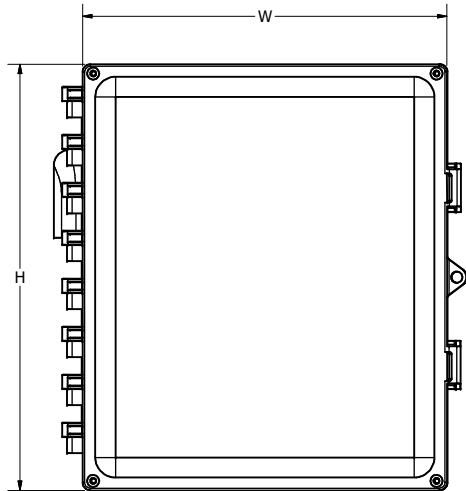
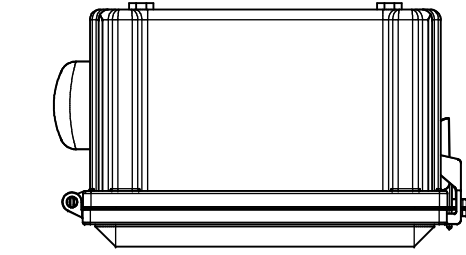
4 3 2 1

D
C
B
A

D
C
B
A



Breather Vent



Drain Vent

Configuration Table				
MODEL NUMBER	HEIGHT (H)	WIDTH (W)	DEPTH (D)	BASE DEPTH (BD)
1026-1084-00-V	11.40 in.	9.40 in.	5.86 in.	4.64 in.
1026-1084-C-V	11.40 in.	9.40 in.	5.86 in.	4.64 in.
1026-12106-00-V	13.40 in.	11.40 in.	7.38 in.	6.14 in.
1026-12106-C-V	13.40 in.	11.40 in.	7.38 in.	6.14 in.
1026-14126-00-V	15.40 in.	13.40 in.	7.38 in.	6.14 in.
1026-14126-C-V	15.40 in.	13.40 in.	7.38 in.	6.14 in.
1026-16148-00-V	17.40 in.	15.40 in.	9.38 in.	8.14 in.
1026-16148-C-V	17.40 in.	15.40 in.	9.38 in.	8.14 in.
1026-242410-00-V	25.40 in.	25.40 in.	11.33 in.	10.14 in.
1026-242410-C-V	25.40 in.	25.40 in.	11.33 in.	10.14 in.

DRAWN CAH	9/23/2020	Oberon, Inc. - 1315 S. Allen St. - State College, PA 16801		
CHECKED CAH	9/23/2020	TITLE		
MFG CAH	9/23/2020	Model 1026-XX-V		
APPROVED CAH	9/23/2020	SIZE C	DWG NO 1026-XX-V	REV 2
TOLERANCE: .0 = +/- .030 .00 = +/- .015 .000 = +/- .005		SCALE	SHEET 2 OF 2	