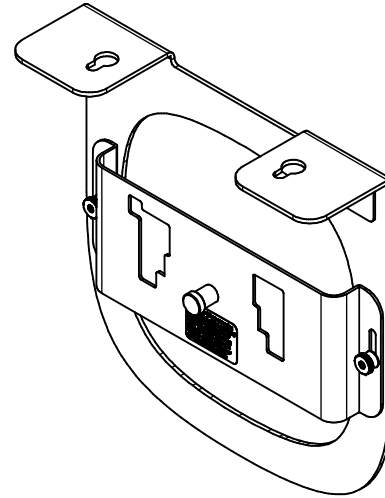
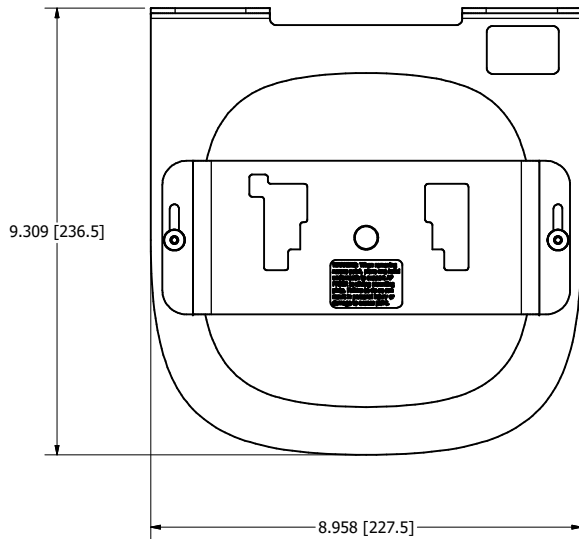
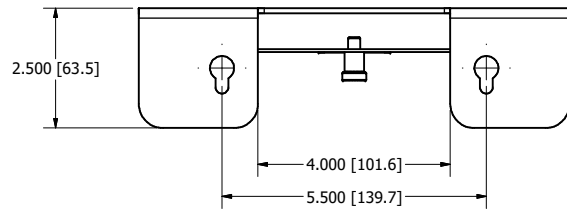


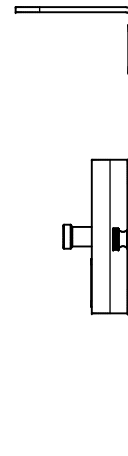
REVISION HISTORY				
ZONE	REV	DESCRIPTION	DATE	APPROVED
All	1	Released	2/11/2020	CAH

RIGHT-ANGLE WALL MOUNT

**NOTE: Mount Cutout
Specific to Access Point



ISOMETRIC VIEW



CONFIGURATION TABLE	
MODEL NUMBER	ACCESS POINT
1006-AP225	Aruba AP225
1006-AP305	Aruba AP305
1006-AP315	Aruba AP315
1006-AP325	Aruba AP325
1006-AP335	Aruba AP335
1006-ARAP505	Aruba AP505
1006-ARAP515	Aruba AP515
1006-ARAP535	Aruba AP535
1006-ARAP555	Aruba AP555
1006-CCOAP	Cisco 2700, 3700 Series APs
1006-CCOAP3800	Cisco 2800, 3800 Series APs
1006-COAP9115	Cisco 9115i
1006-COAP9117	Cisco 9117i
1006-COAP9120	Cisco 9120i
1006-COAP9130	Cisco 9130i
1006-EXT3935	Extreme Networks 3935
1006-UBI	Ubiquiti UAP-AC-HD, UAP-AC-PRO

NOTES:

- Weight: 3 lbs.
- Material: 12 Ga. White Powder Coated Steel Base
16 Ga. White Powder Coated Steel Mounting Bracket

Includes:

- (1) Right-Angle Wall Mount, Specific to Access Point
- (2) Hollow Tip Wall Anchors
- (2) Snap Caps
- Access Point Attachment Hardware

NOTE: All materials used in the construction of Oberon products must be RoHS compliant and meet RoHS2 Directive 2011/65/EU. Contact Oberon engineering if RoHS compliant materials are not available.

DRAWN CAH	2/11/2020	Oberon, Inc. - 1315 S. Allen St. - State College, PA 16801		
CHECKED CAH	2/11/2020	TITLE		
QA		Model 1006-XX		
MFG CAH	2/11/2020	SIZE C	DWG NO 1006-XX	REV 1
APPROVED CAH	2/11/2020	SCALE	SHEET 1 OF 1	
TOLERANCE:	.0 = +/- .030 .00 = +/- .015 .000 = +/- .005			