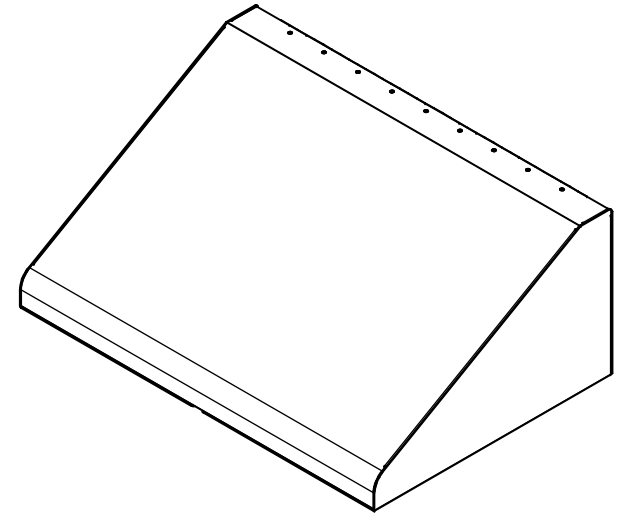
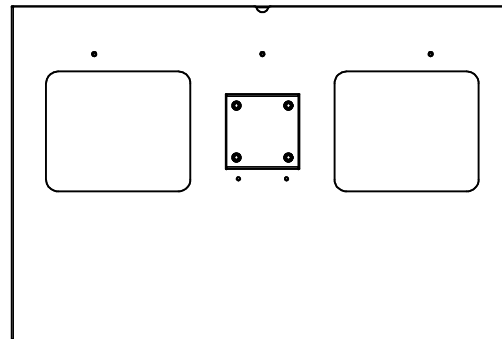
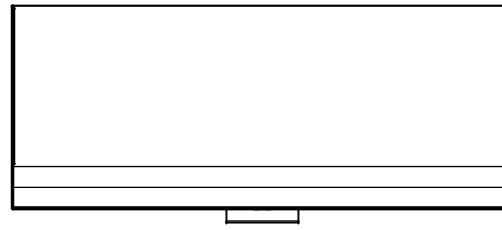
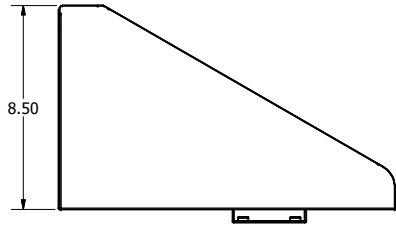
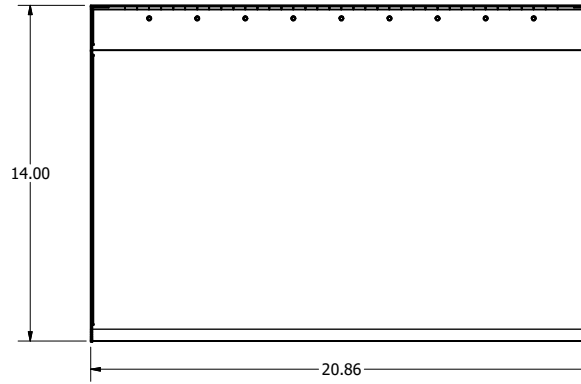
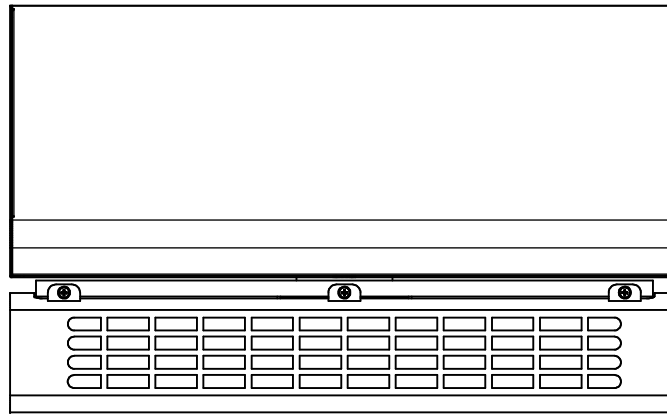
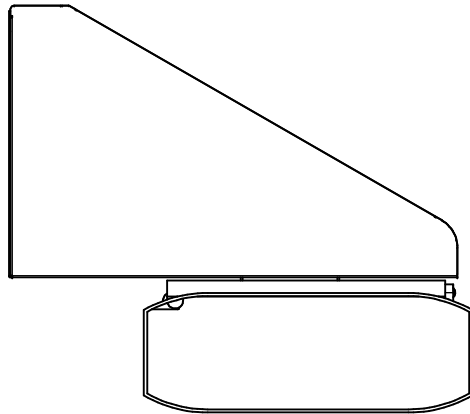
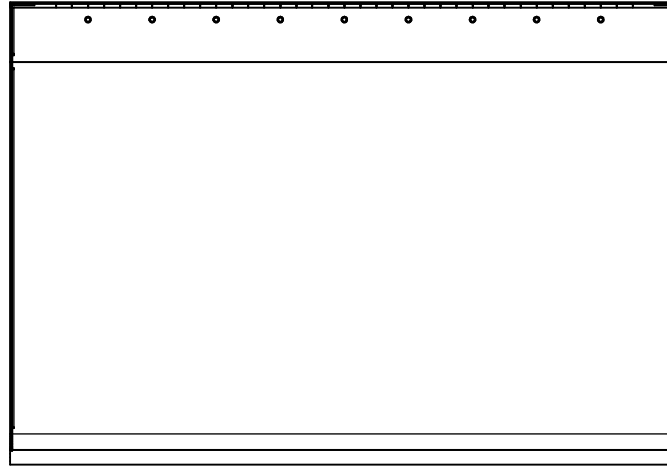


1011-LS



DRAWN	3/17/2020	Oberon, Inc. - 1315 S. Allen St. - State College, PA 16801		
CHECKED	3/17/2020	TITLE		
RLC		1011-LS		
QA		SIZE	DWG NO	REV
MFG	3/17/2020	C	1011-LS	Prel
RLC	3/17/2020	SCALE	SHEET 1 OF 4	
TOLERANCE:	.0 = +/- .030 .00 = +/- .015 .000 = +/- .005			

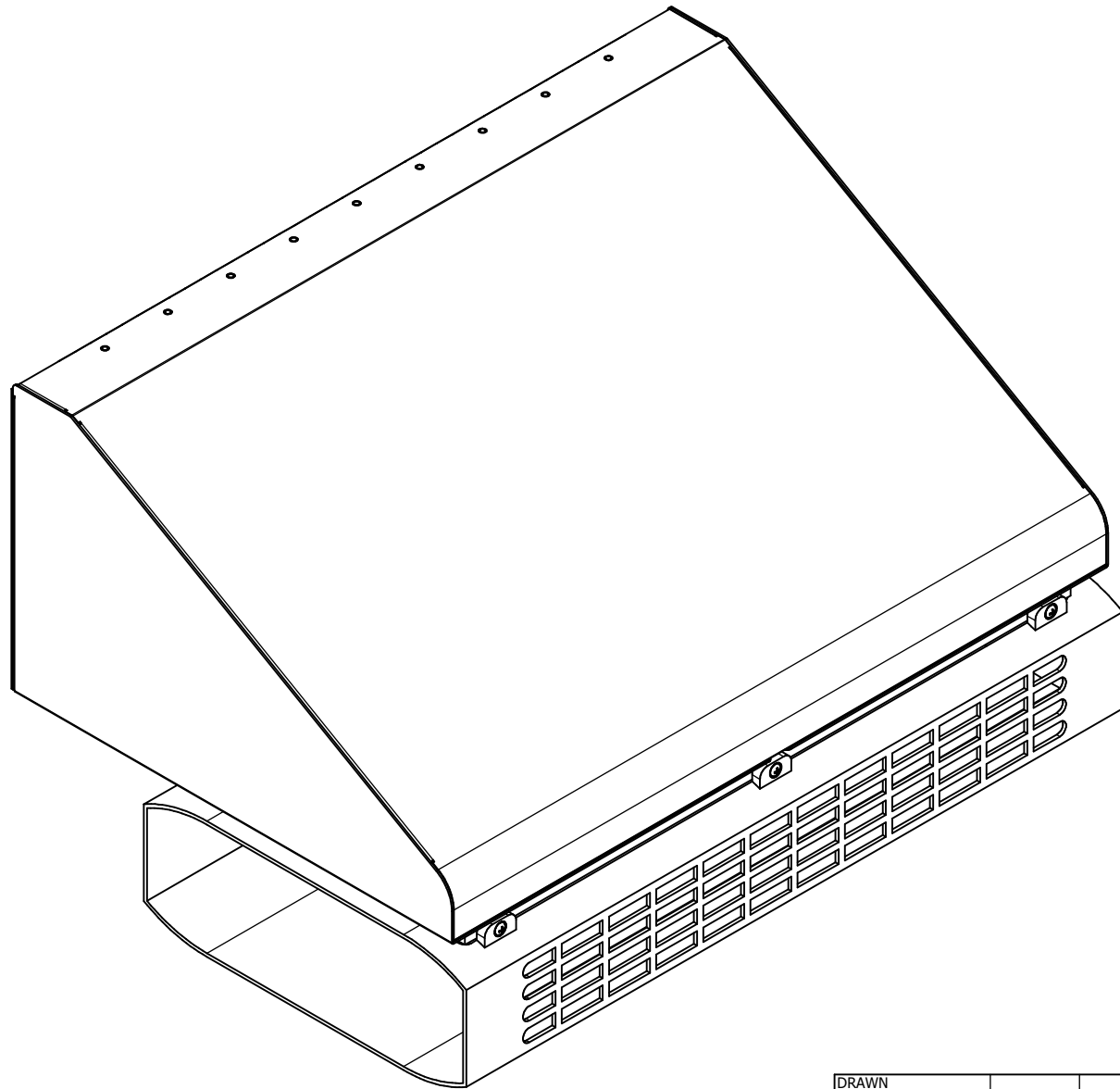
1011-LS With LampSite Shroud



NOTE: All materials used in the construction of Oberon products must be RoHS compliant and meet RoHS2 Directive 2011/65/EU. Contact Oberon engineering if RoHS compliant materials are not available.

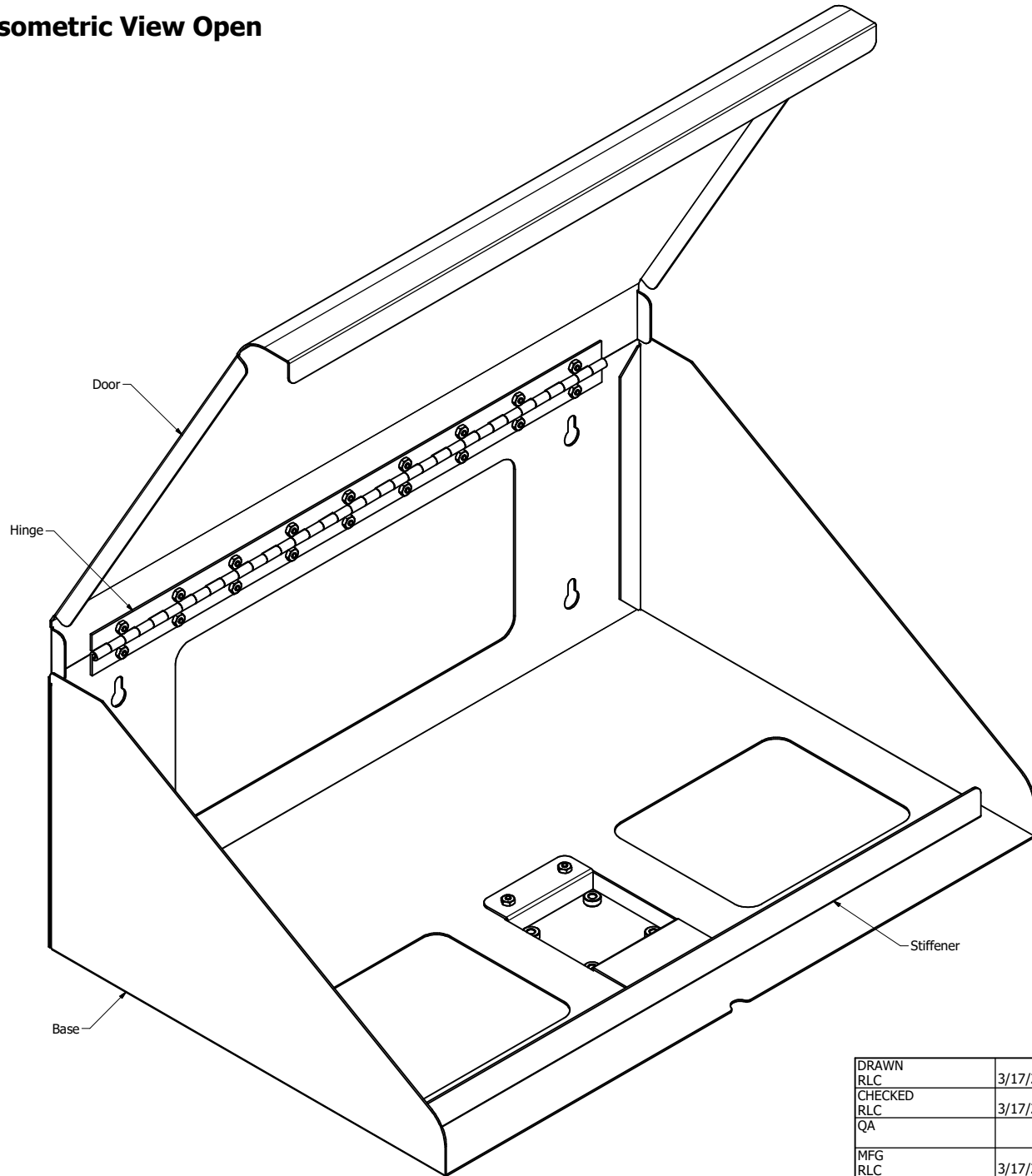
DRAWN RLC	3/17/2020	Oberon, Inc. - 1315 S. Allen St. - State College, PA 16801		
CHECKED RLC	3/17/2020	TITLE		
QA		1011-LS		
MFG RLC	3/17/2020	SIZE C	DWG NO 1011-LS	REV Prel
APPROVED RLC	3/17/2020	SCALE	SHEET 2 OF 4	
TOLERANCE:	.0 = +/- .030 .00 = +/- .015 .000 = +/- .005			

1011-LS Isometric View With Shroud



DRAWN	RLC	3/17/2020	Oberon, Inc. - 1315 S. Allen St. - State College, PA 16801	
CHECKED	RLC	3/17/2020	TITLE	
QA			1011-LS	
MFG	RLC	3/17/2020	SIZE	DWG NO
APPROVED	RLC	3/17/2020	C	1011-LS
TOLERANCE:		.0 = +/- .030	SCALE	REV
		.00 = +/- .015		Prel
		.000 = +/- .005	SHEET 3 OF 4	

1011-LS Isometric View Open



DRAWN	RLC	3/17/2020	Oberon, Inc. - 1315 S. Allen St. - State College, PA 16801		
CHECKED	RLC	3/17/2020	TITLE		
QA			1011-LS		
MFG	RLC	3/17/2020	SIZE	DWG NO	REV
APPROVED	RLC	3/17/2020	C	1011-LS	Prel
TOLERANCE:	.0 = +/- .030		SCALE	SHEET 4 OF 4	
	.00 = +/- .015				
	.000 = +/- .005				