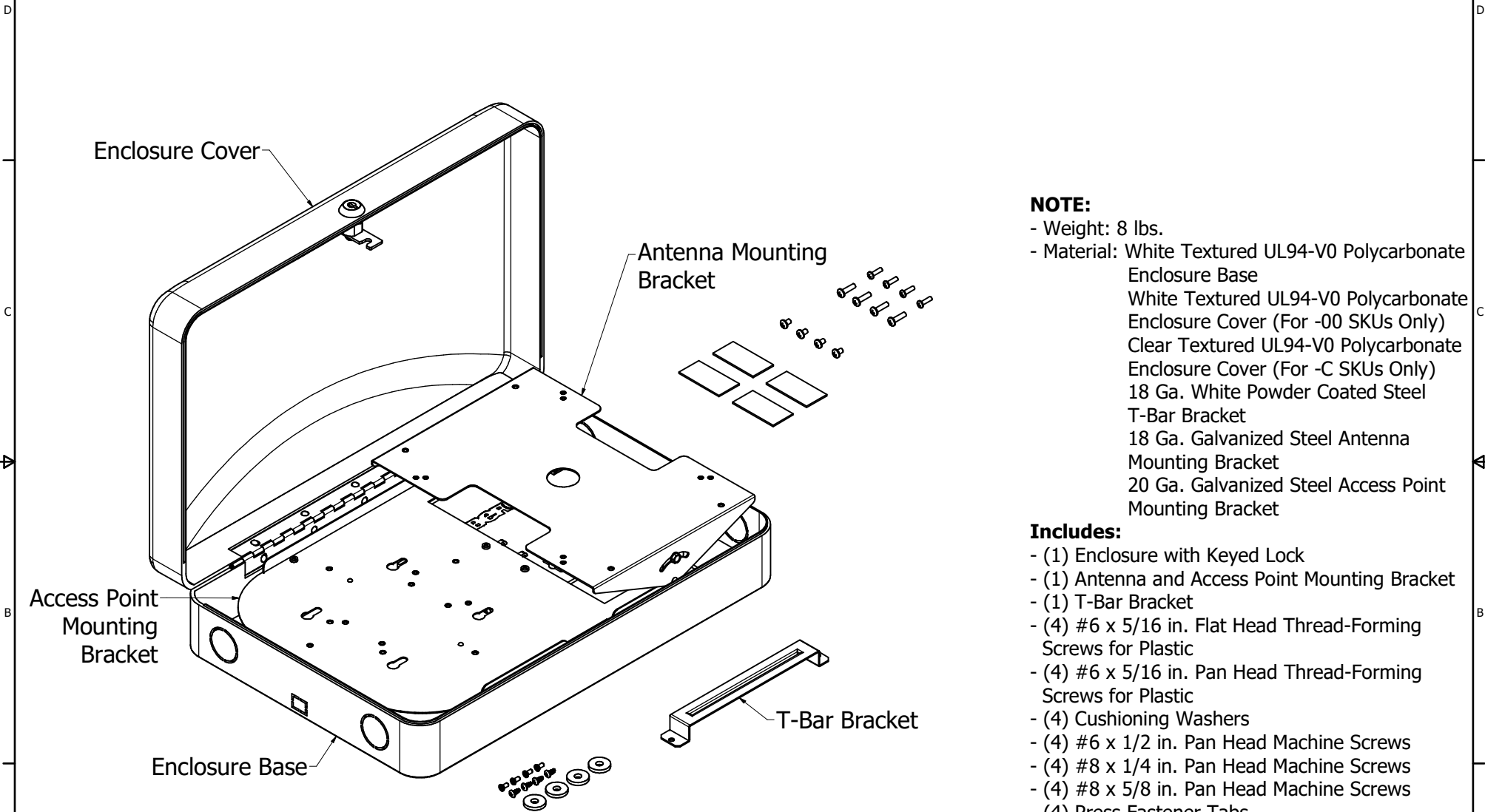


REVISION HISTORY				
ZONE	REV	DESCRIPTION	DATE	APPROVED
All	4	N/A	2/15/2017	EAS
All	5	Updated Notes, "Includes" List, Views, and Mounting Legend	6/5/2020	CAH
All	6	Updated Notes, "Includes" List	6/12/2020	CAH



NOTE:

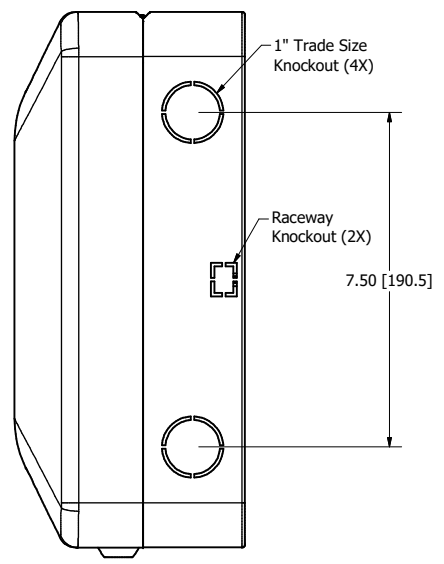
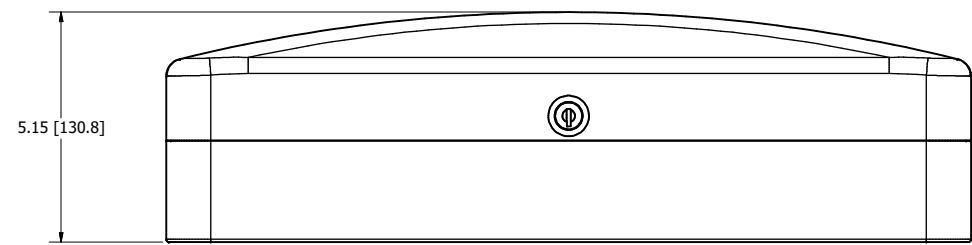
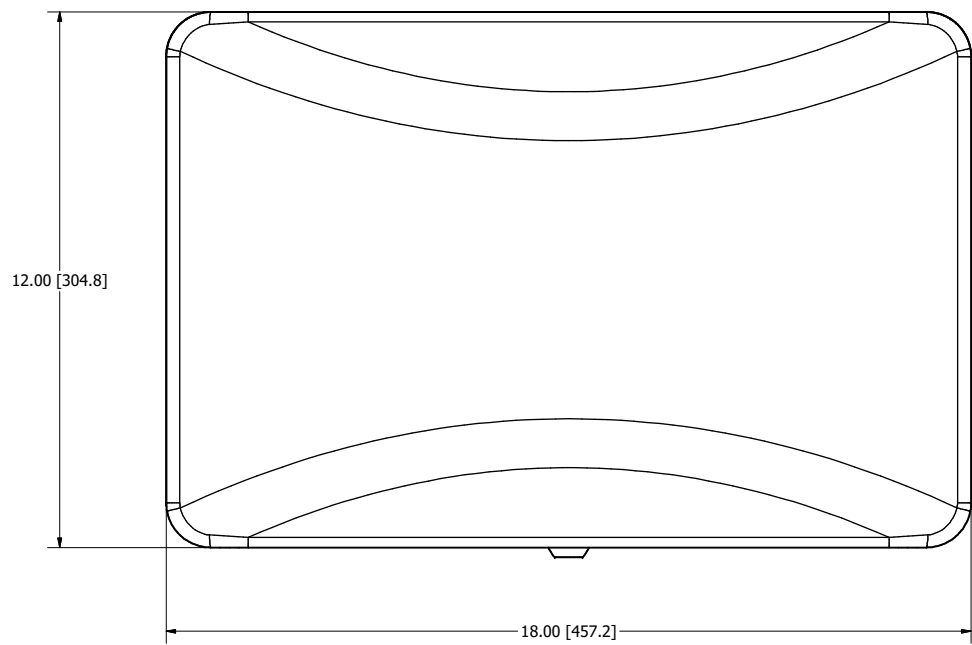
- Weight: 8 lbs.
- Material: White Textured UL94-V0 Polycarbonate Enclosure Base
White Textured UL94-V0 Polycarbonate Enclosure Cover (For -00 SKUs Only)
Clear Textured UL94-V0 Polycarbonate Enclosure Cover (For -C SKUs Only)
18 Ga. White Powder Coated Steel T-Bar Bracket
18 Ga. Galvanized Steel Antenna Mounting Bracket
20 Ga. Galvanized Steel Access Point Mounting Bracket

Includes:

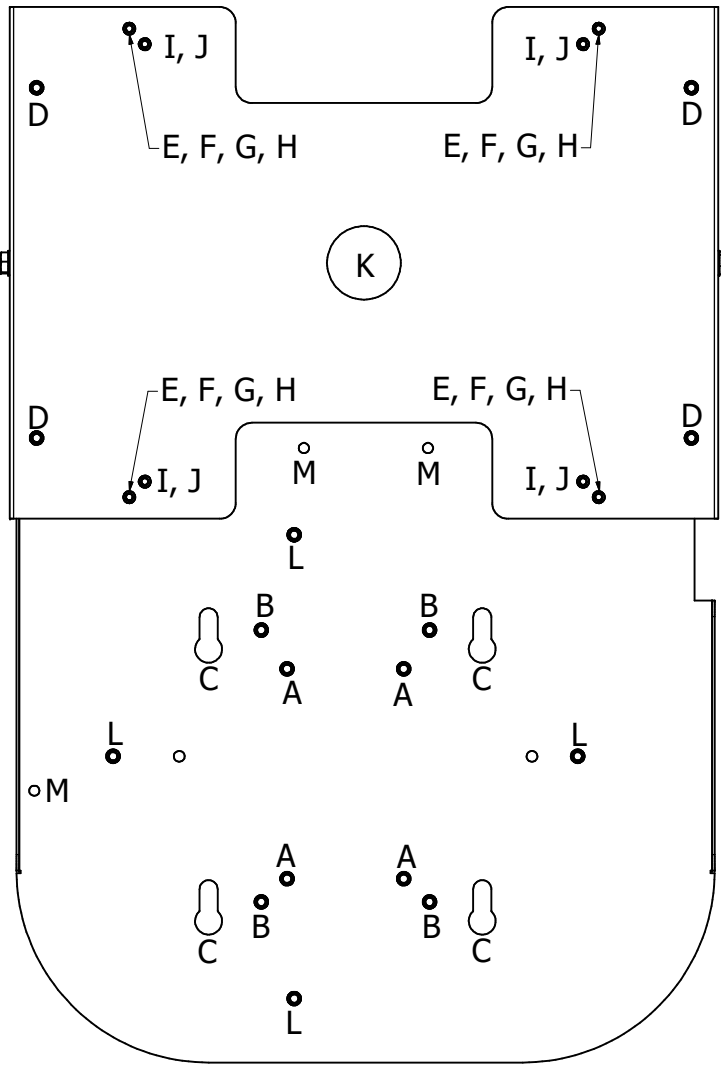
- (1) Enclosure with Keyed Lock
- (1) Antenna and Access Point Mounting Bracket
- (1) T-Bar Bracket
- (4) #6 x 5/16 in. Flat Head Thread-Forming Screws for Plastic
- (4) #6 x 5/16 in. Pan Head Thread-Forming Screws for Plastic
- (4) Cushioning Washers
- (4) #6 x 1/2 in. Pan Head Machine Screws
- (4) #8 x 1/4 in. Pan Head Machine Screws
- (4) #8 x 5/8 in. Pan Head Machine Screws
- (4) Press Fastener Tabs
- (2) Keys for Lock

Antennas Supported:
 Cisco AIR-ANT2566P4W-R
 Aruba AP-ANT-17
 Aruba AP-ANT-18
 Aruba AP-ANT-25
 Aruba AP-ANT-28
 Aruba AP-ANT-35
 Aruba AP-ANT-38

DRAWN CAH	6/12/2020	Oberon, Inc. - 1315 S. Allen St. - State College, PA 16801		
CHECKED CAH	6/12/2020	TITLE		
MFG CAH	6/12/2020	Model 1016-XX-ANTPLATE		
APPROVED CAH	6/12/2020	SIZE C	DWG NO 1016-XX-ANTPLATE	REV 6
TOLERANCE: .0 = +/- .030 .00 = +/- .015 .000 = +/- .005		SCALE	SHEET 1 OF 3	



DRAWN CAH	6/12/2020	Oberon, Inc. - 1315 S. Allen St. - State College, PA 16801		
CHECKED CAH	6/12/2020	TITLE		
QA		Model 1016-XX-ANTPLATE		
MFG CAH	6/12/2020	SIZE C	DWG NO 1016-XX-ANTPLATE	REV 6
APPROVED CAH	6/12/2020	SCALE	SHEET 2 OF 3	
TOLERANCE:				
.0 = +/- .030				
.00 = +/- .015				
.000 = +/- .005				



Mounting Legend

- A - Cisco AIR-AP-BRACKET-1
- B - Cisco AIR-AP-BRACKET-2
- C - Keyhole Slots for Mounting Cisco APs
- D - Cisco Antenna AIR-ANT2566P4W-R
- E - Aruba Networks Antenna AP-ANT-17
- F - Aruba Networks Antenna AP-ANT-18
- G - Aruba Networks Antenna AP-ANT-25
- H - Aruba Networks Antenna AP-ANT-35
- I - Aruba Networks Antenna AP-ANT-28
- J - Aruba Networks Antenna AP-ANT-38
- K - 1" Center Post Antennas
- L - T-Bar Mount
- M - Holes Used to Fasten Bracket to Enclosure Base

DRAWN CAH	6/12/2020	Oberon, Inc. - 1315 S. Allen St. - State College, PA 16801		
CHECKED CAH	6/12/2020	TITLE		
QA		Model 1016-XX-ANTPLATE		
MFG CAH	6/12/2020	SIZE C	DWG NO 1016-XX-ANTPLATE	REV 6
APPROVED CAH	6/12/2020	SCALE	SHEET 3 OF 3	
TOLERANCE:				
.0 = +/- .030				
.00 = +/- .015				
.000 = +/- .005				