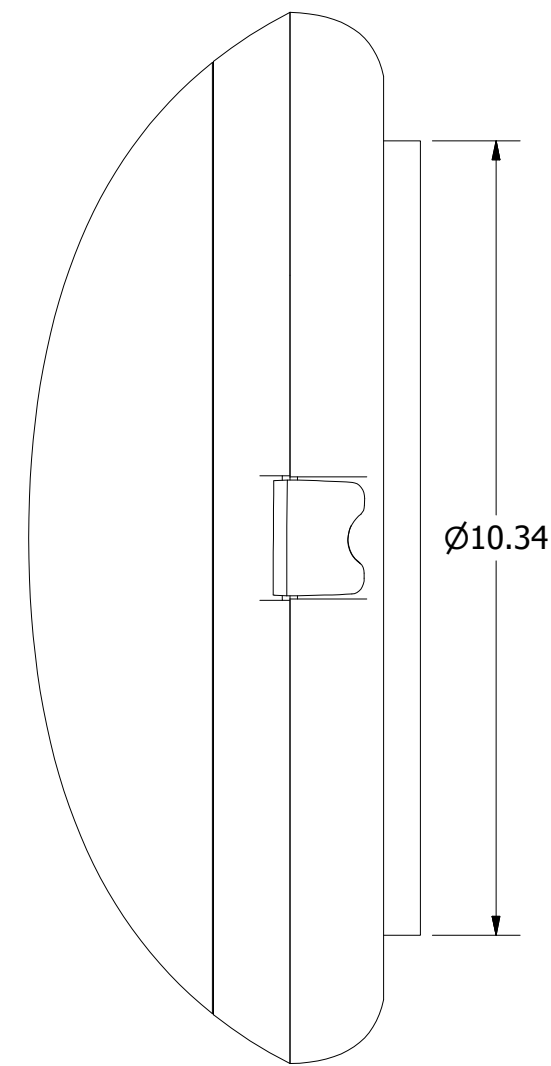
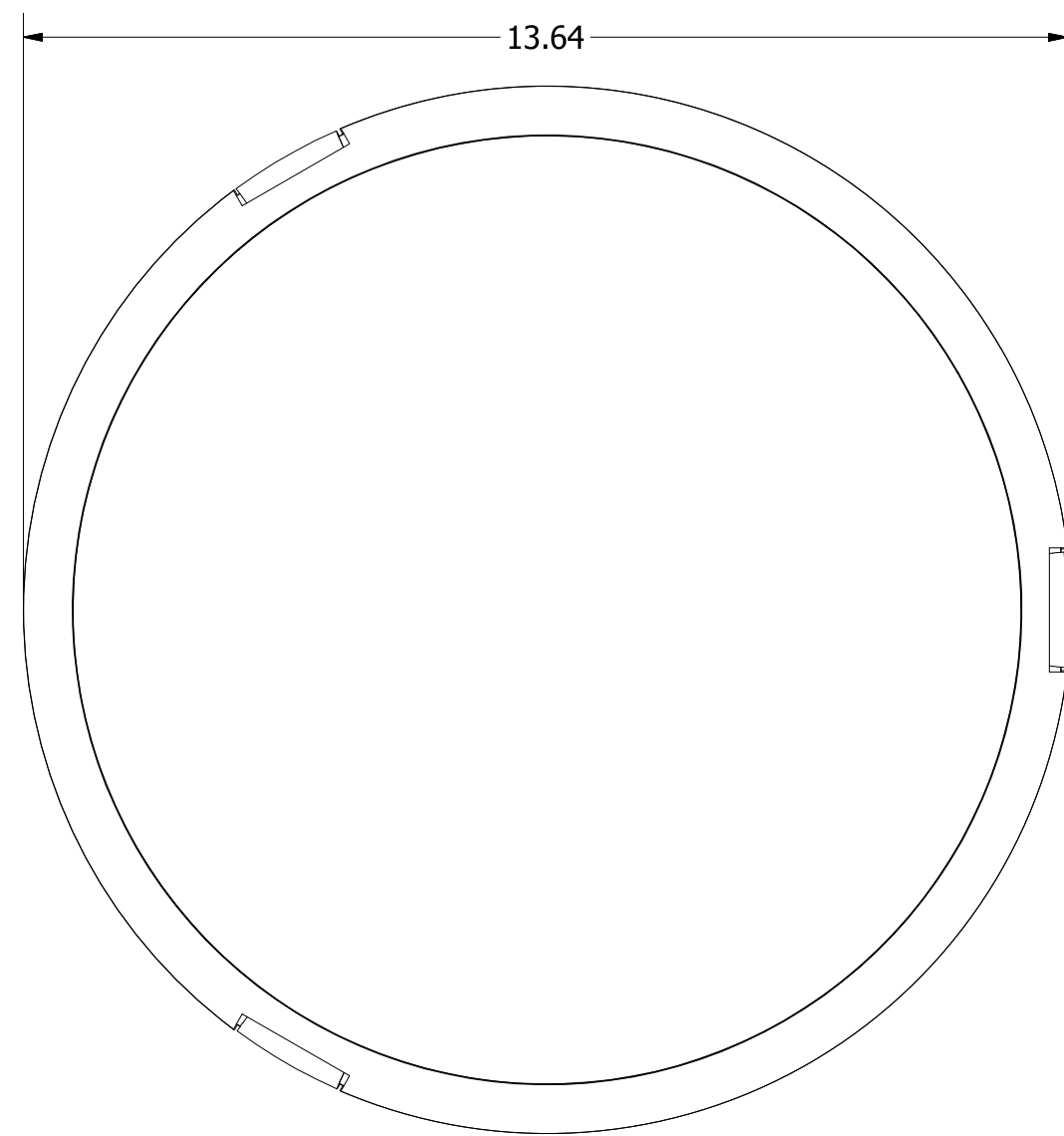
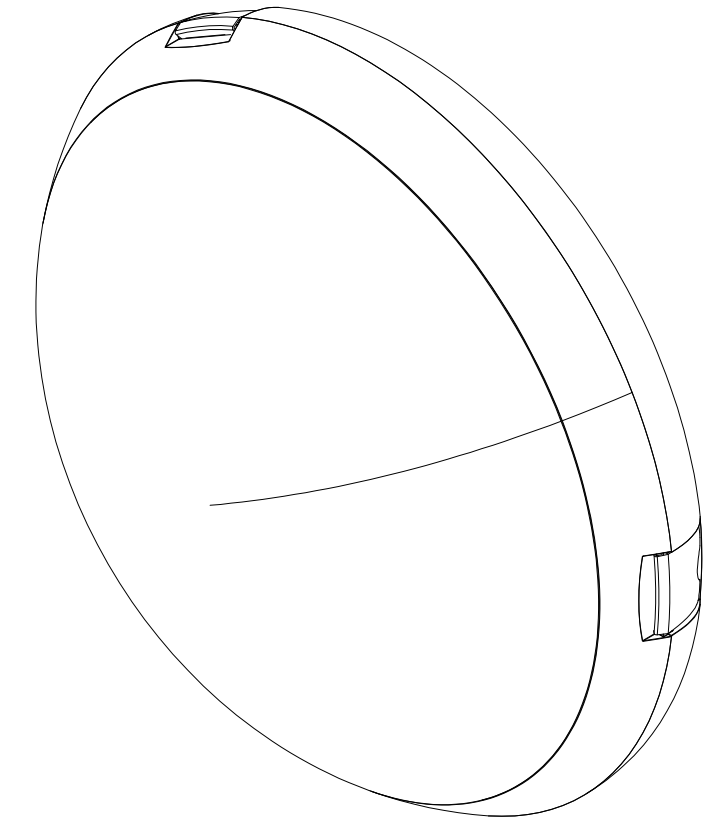
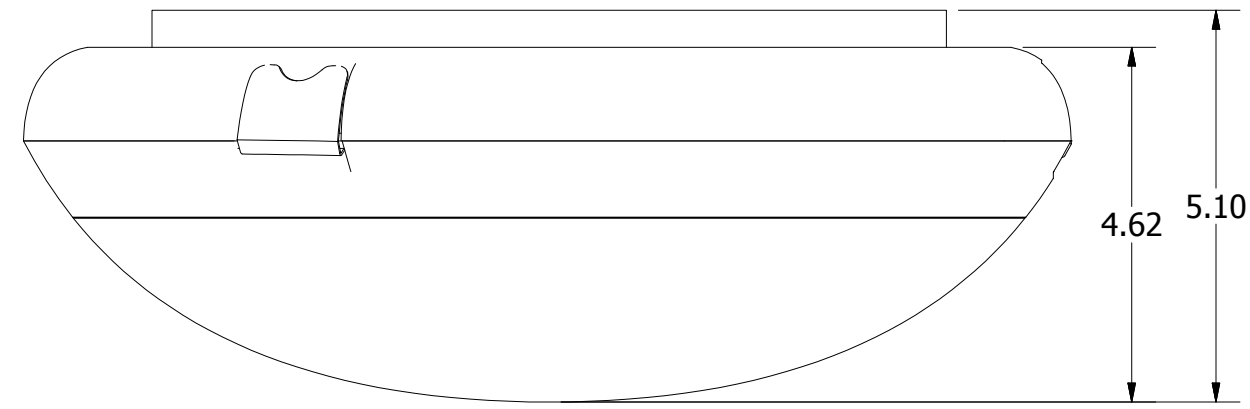
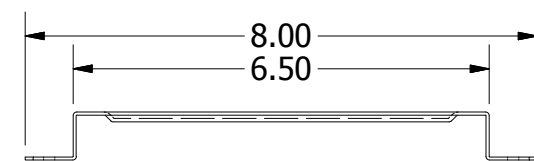
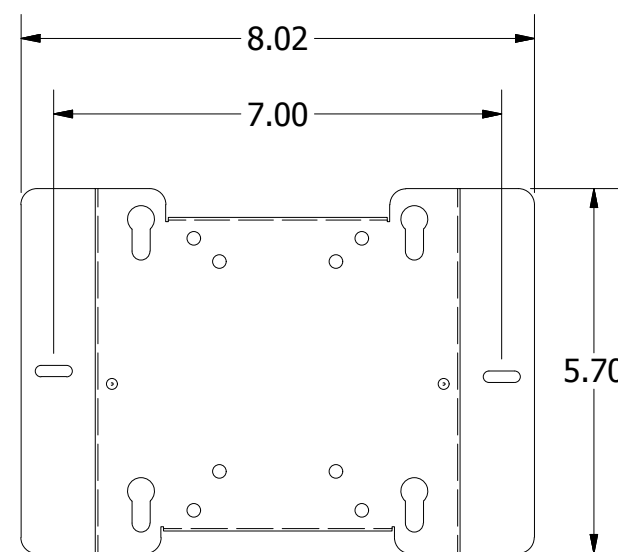


REVISION HISTORY				
ZONE	REV	DESCRIPTION	DATE	APPROVED
All	1	Released	8/15/2017	EAS



**NOTE:**

- Material:  
White Polycarbonate Enclosure  
Zinc Plated Mounting Brackets
- Includes:  
(1) Round Enclosure  
(1) T-Bar Bracket  
(1) Cisco AP Bracket  
(1) WiFi Lid Label  
(2) #8 Sheet Metal Screw  
(4) #8-32 x 1/4" Screw



Cisco AP Mounting Bracket and T-Bar Bracket

DRAWN	EAS	8/15/2017	Oberon, Inc. - 1315 S. Allen St. - State College, PA 16801		
CHECKED	EAS	8/15/2017	TITLE		
MFG	EAS	8/15/2017	Model 1018-14 Customer Print		
APPROVED	EAS	8/15/2017	SIZE	DWG NO	REV
TOLERANCE:		.0 = +/- .030	C	3067	1
		.00 = +/- .015			
		.000 = +/- .005			
SCALE			SHEET 1 OF 1		