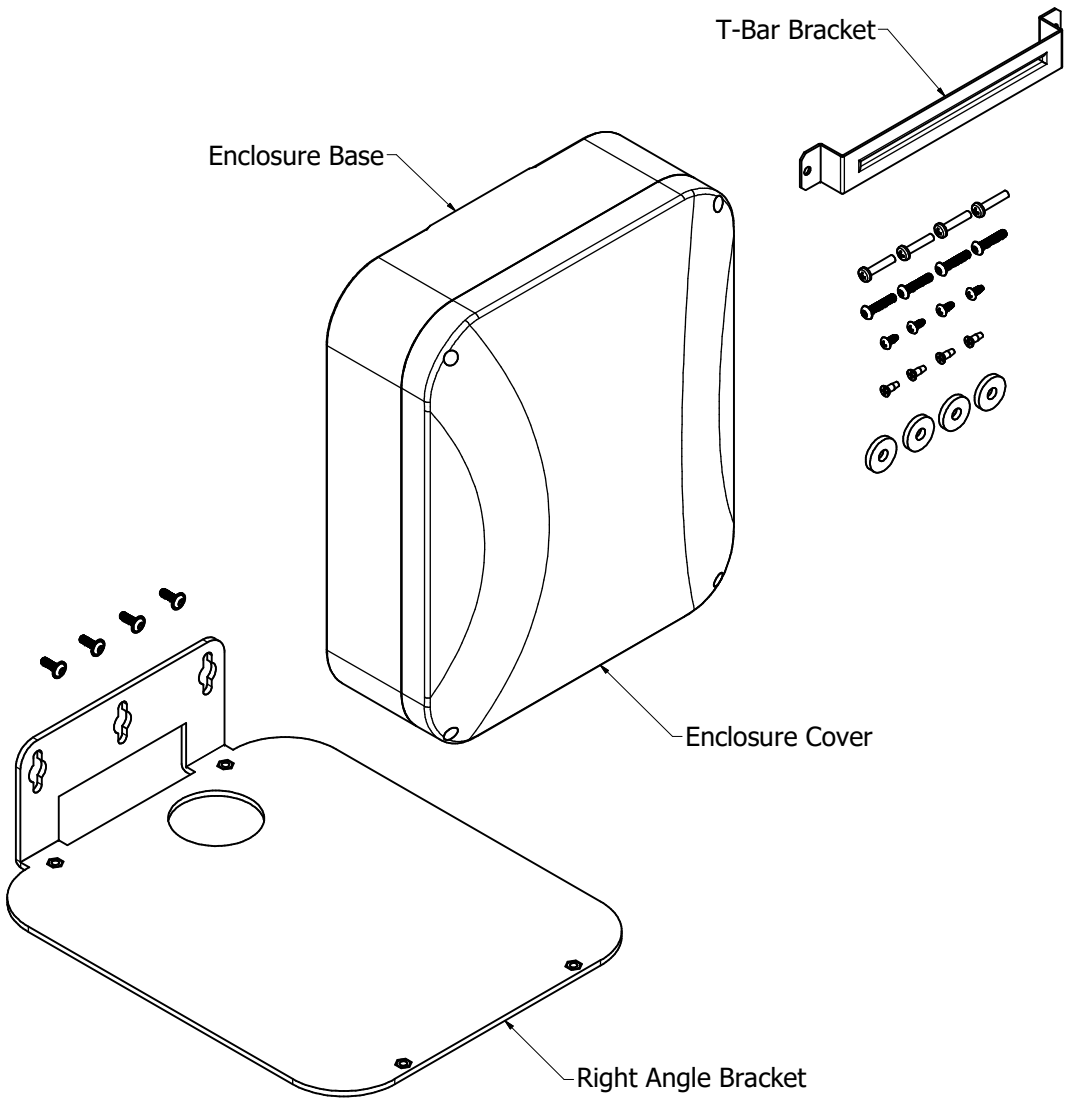


ZONE		REV	DESCRIPTION	DATE	APPROVED
All		1	Released	7/22/2016	EAS
All		2	Updated Notes, "Includes" List, and Views; Added Mounting Legend	6/22/2020	CAH
Pg. 2		3	Updated Dimensions (Pg. 2)	6/25/2020	CAH



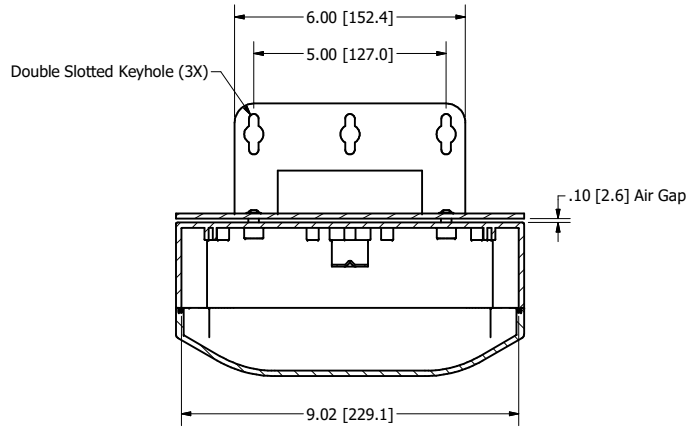
NOTE:

- Weight: 6 lbs.
- Material: Gray Textured UL94-V0 Polycarbonate
- Enclosure Base
- Gray Textured UL94-V0 Polycarbonate
- Enclosure Cover
- 18 Ga. White Powder Coated Steel T-Bar Bracket
- Right-Angle Bracket

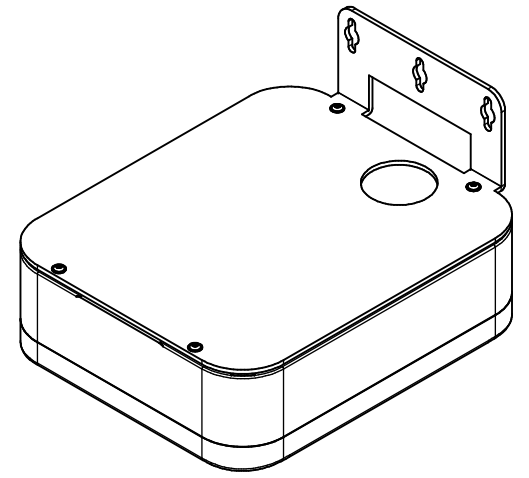
Includes:

- (1) Enclosure
- (1) T-Bar Bracket
- (4) M4 x 20 mm Captive Phillips Lid Screws
- (4) M4 x 20 mm Captive Torx Lid Screws
- (4) #6 x 5/16 in. Pan Head Thread-Forming Screws for Plastic
- (4) #6 x 5/16 in. Flat Head Thread-Forming Screws for Plastic
- (4) Cushioning Washers
- (1) Right Angle Bracket
- (4) M4 x 12 mm Button Head Socket Cap Screws

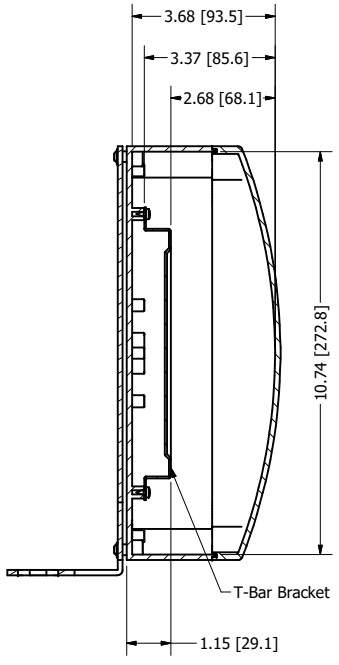
DRAWN CAH	6/25/2020	Oberon, Inc. - 1315 S. Allen St. - State College, PA 16801		
CHECKED CAH	6/25/2020	TITLE		
QA		Model 1020-00-RAB		
MFG CAH	6/25/2020	SIZE C	DWG NO 1020-00-RAB	REV 3
APPROVED CAH	6/25/2020	SCALE	SHEET 1 OF 3	
TOLERANCE:				
.0 = +/- .030				
.00 = +/- .015				
.000 = +/- .005				



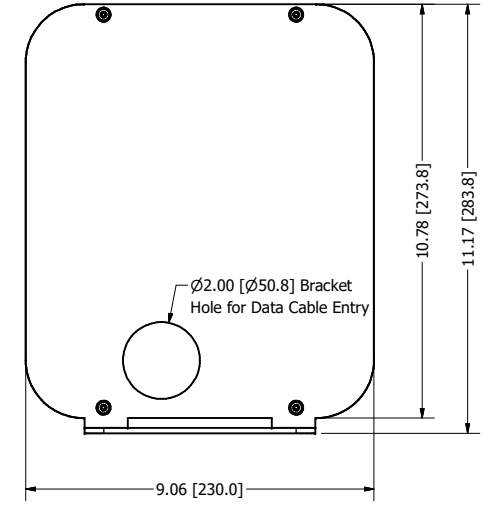
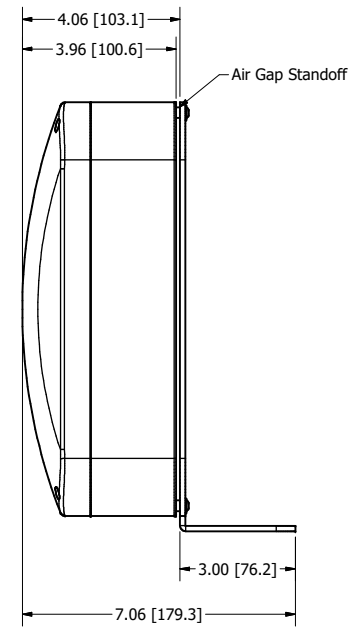
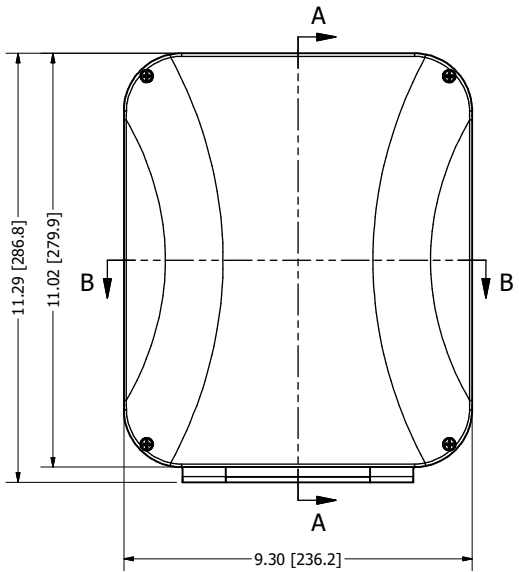
SECTION B-B
SCALE 1 / 2.5



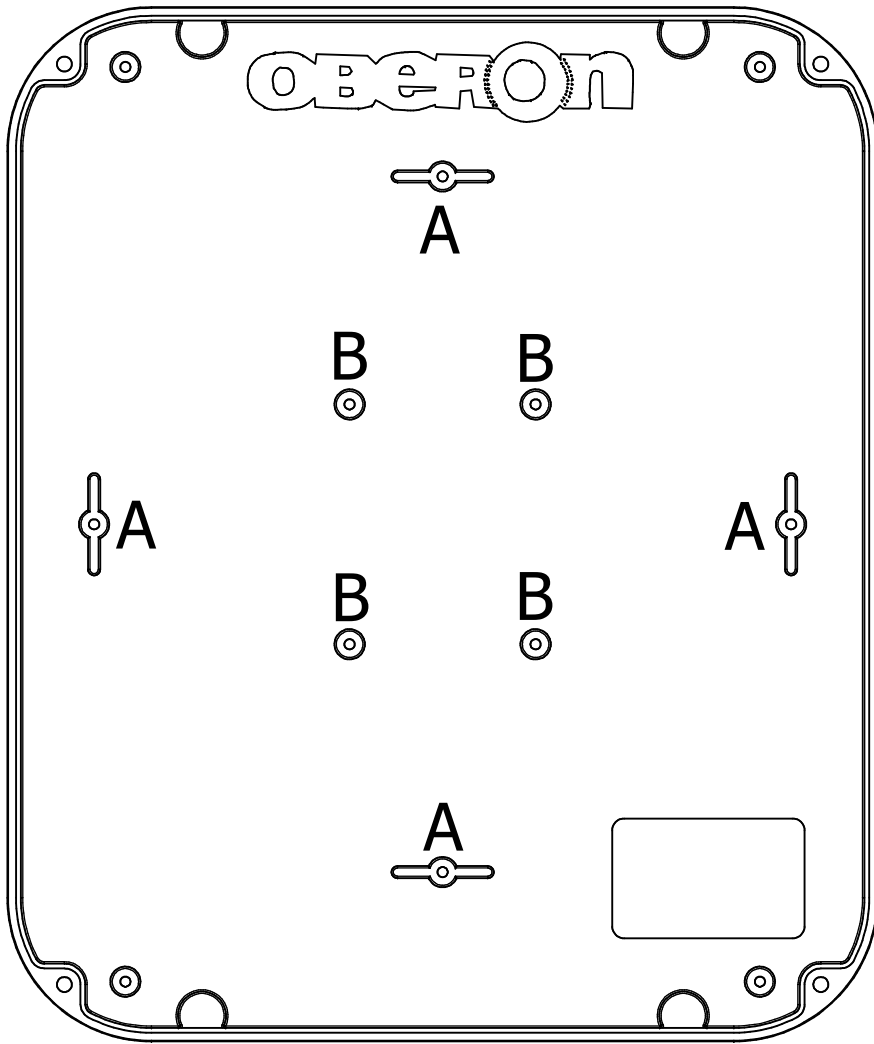
ISOMETRIC VIEW



SECTION A-A
SCALE 1 / 2.5



DRAWN	6/25/2020	Oberon, Inc. - 1315 S. Allen St. - State College, PA 16801		
CHECKED	6/25/2020	TITLE		
CAH	6/25/2020	Model 1020-00-RAB		
QA		SIZE	DWG NO	REV
MFG	6/25/2020	C	1020-00-RAB	3
CAH	6/25/2020	SCALE		
TOLERANCE:		.0 = +/- .030		
		.00 = +/- .015		
		.000 = +/- .005		
		SHEET 2 OF 3		



Mounting Legend

A - Oberon T-bar

B - Cisco AIR-AP-BRACKET-1 or -2

DRAWN CAH	6/25/2020	Oberon, Inc. - 1315 S. Allen St. - State College, PA 16801		
CHECKED CAH	6/25/2020	TITLE		
QA		Model 1020-00-RAB		
MFG CAH	6/25/2020	SIZE C	DWG NO 1020-00-RAB	REV 3
APPROVED CAH	6/25/2020	SCALE	SHEET 3 OF 3	
TOLERANCE:				
.0 = +/- .030				
.00 = +/- .015				
.000 = +/- .005				