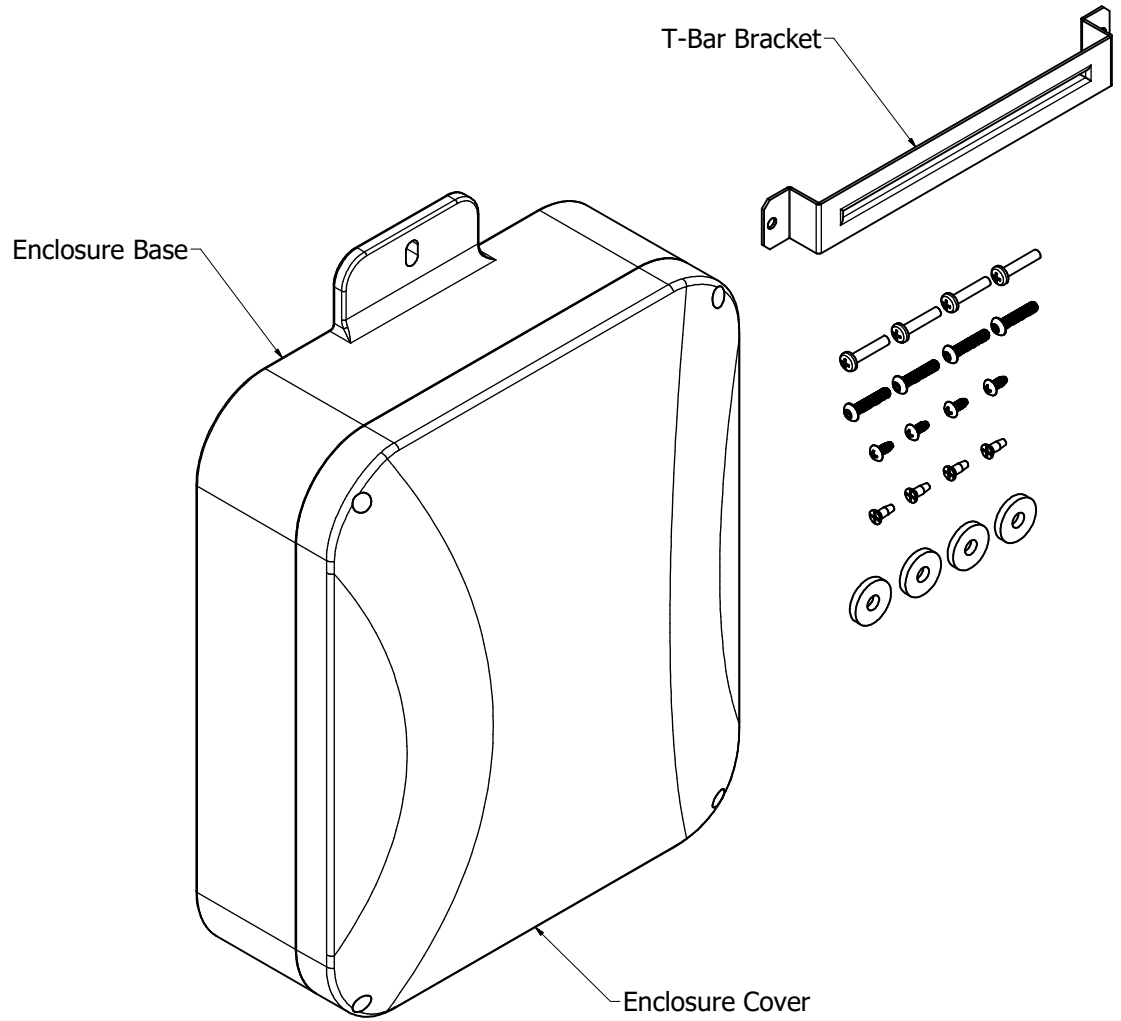


REVISION HISTORY				
ZONE	REV	DESCRIPTION	DATE	APPROVED
All	1	Released	6/22/2020	CAH
Pg. 2	2	Updated Views and Dimensions (Pg. 2)	6/25/2020	CAH



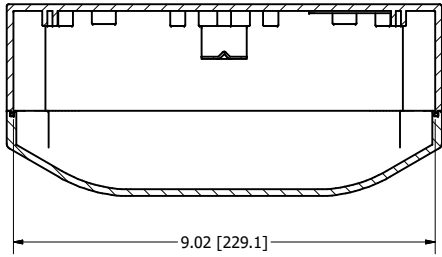
NOTE:

- Weight: 2 lbs.
- Material: Gray Textured UL94-V0 Polycarbonate Enclosure Base
Gray Textured UL94-V0 Polycarbonate Enclosure Cover (For -00 SKUs Only)
Clear Textured UL94-V0 Polycarbonate Enclosure Cover (For -C SKUs Only)
18 Ga. White Powder Coated Steel T-Bar Bracket

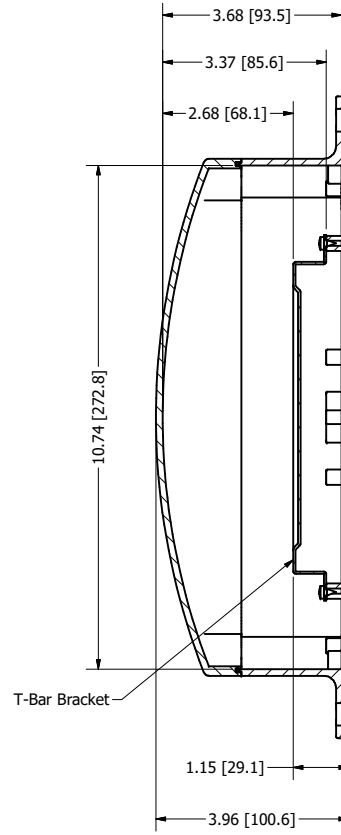
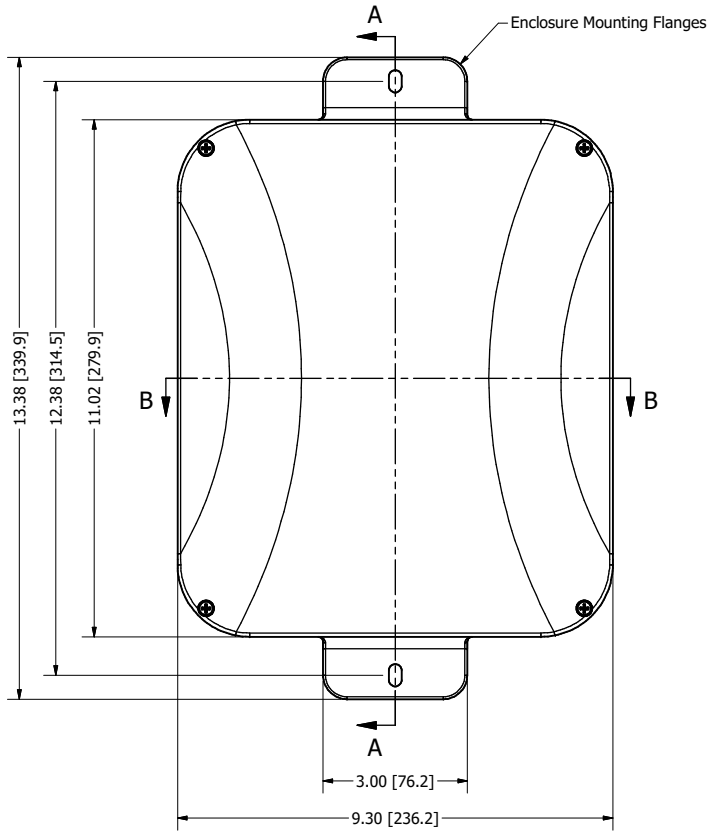
Includes:

- (1) Enclosure
- (1) T-Bar Bracket
- (4) M4 x 20 mm Captive Phillips Lid Screws
- (4) M4 x 20 mm Captive Torx Lid Screws
- (4) #6 x 5/16 in. Pan Head Thread-Forming Screws for Plastic
- (4) #6 x 5/16 in. Flat Head Thread-Forming Screws for Plastic
- (4) Cushioning Washers

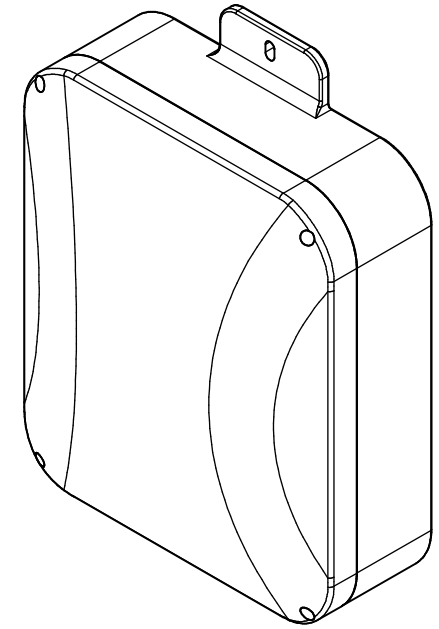
DRAWN CAH	6/25/2020	Oberon, Inc. - 1315 S. Allen St. - State College, PA 16801		
CHECKED CAH	6/25/2020	TITLE		
QA		Model 1020-00 and C		
MFG CAH	6/25/2020	SIZE C	DWG NO 1020-00 and C	REV 2
APPROVED CAH	6/25/2020	SCALE	SHEET 1 OF 3	
TOLERANCE:				
.0 = +/- .030				
.00 = +/- .015				
.000 = +/- .005				



SECTION B-B
SCALE 1 / 2

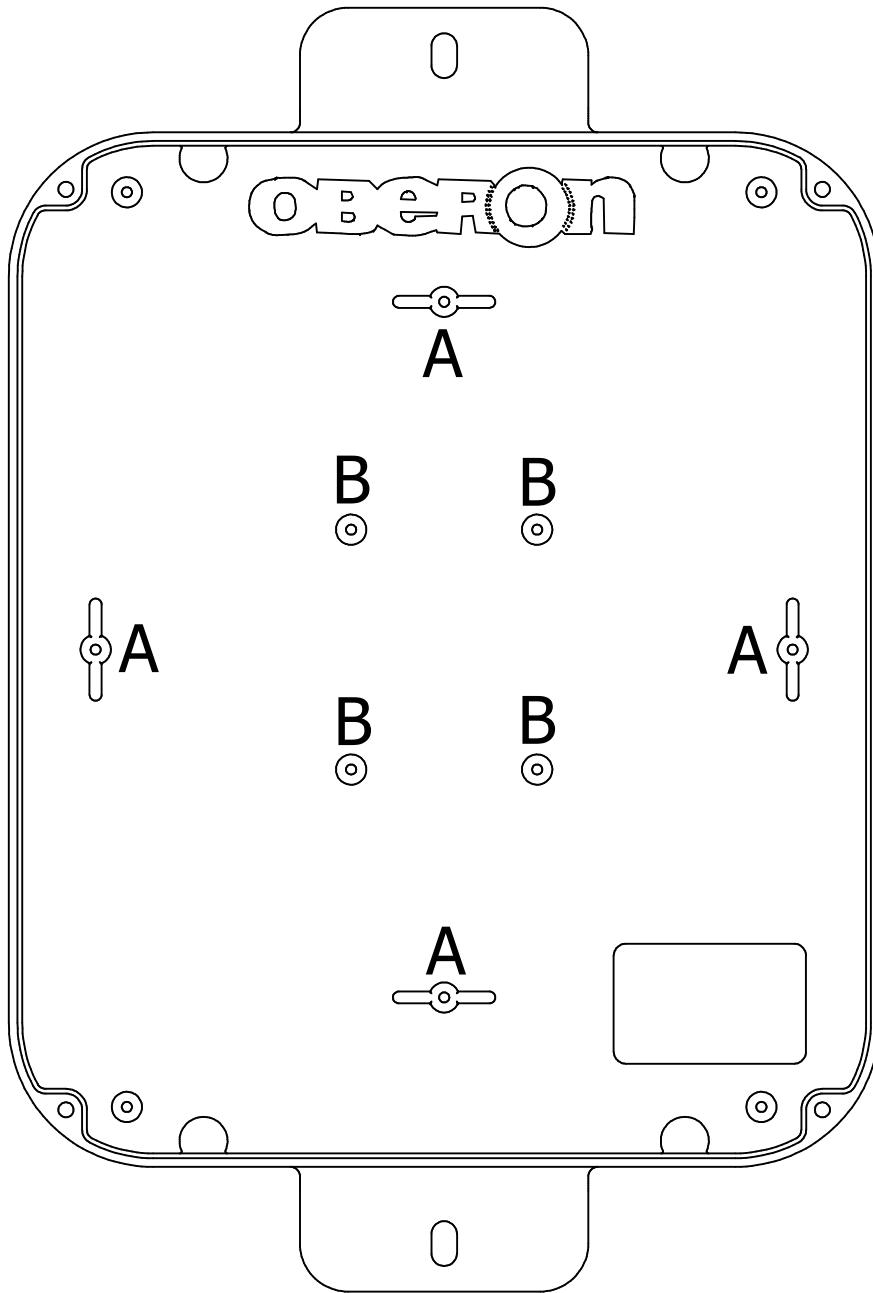


SECTION A-A
SCALE 1 / 2



ISOMETRIC VIEW

DRAWN CAH	6/25/2020	Oberon, Inc. - 1315 S. Allen St. - State College, PA 16801		
CHECKED CAH	6/25/2020	TITLE		
QA		Model 1020-00 and C		
MFG CAH	6/25/2020	SIZE C	DWG NO 1020-00 and C	REV 2
APPROVED CAH	6/25/2020	SCALE	SHEET 2 OF 3	
TOLERANCE:		.0 = +/- .030 .00 = +/- .015 .000 = +/- .005		



Mounting Legend

A - Oberon T-bar

B - Cisco AIR-AP-BRACKET-1 or -2

DRAWN	6/25/2020	Oberon, Inc. - 1315 S. Allen St. - State College, PA 16801		
CHECKED	6/25/2020	TITLE		
CAH		Model 1020-00 and C		
QA				
MFG	6/25/2020	SIZE	DWG NO	REV
CAH		C	1020-00 and C	2
APPROVED	6/25/2020	SCALE	SHEET 3 OF 3	
CAH				
TOLERANCE:	.0 = +/- .030 .00 = +/- .015 .000 = +/- .005			