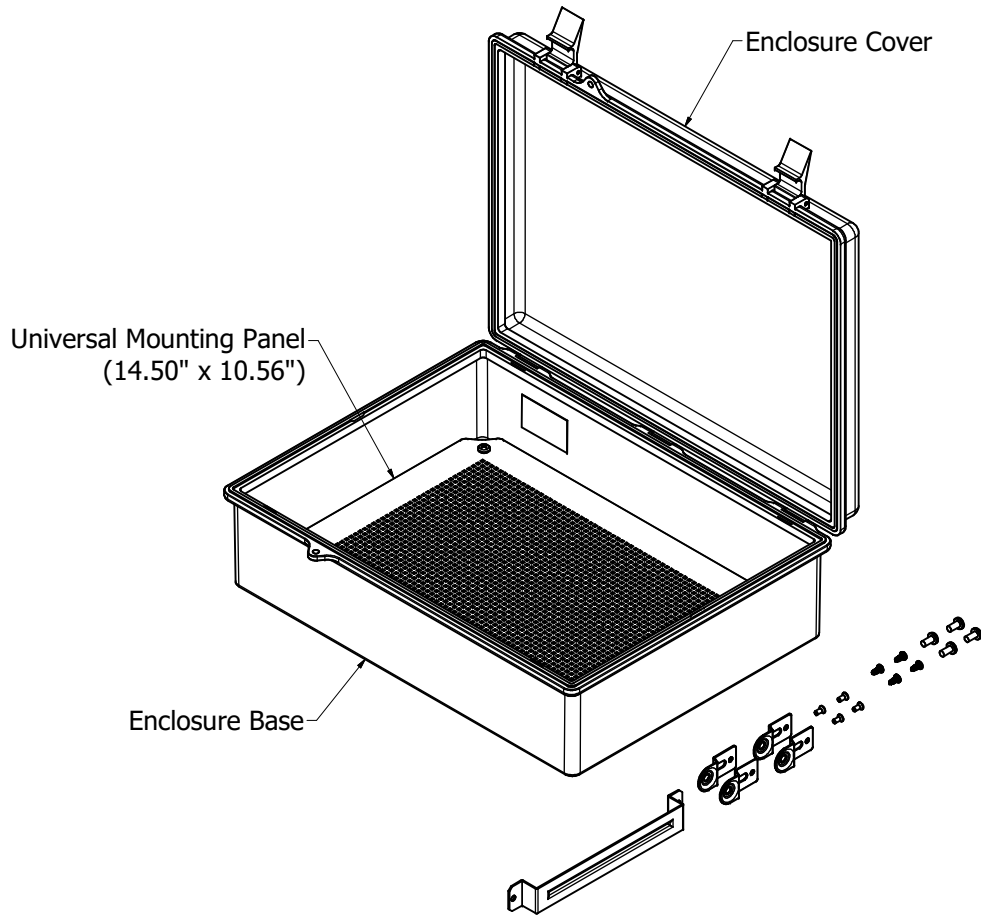


ZONE		REV	DESCRIPTION	DATE	APPROVED
All		1	Released	7/19/2020	CAH



NOTE:

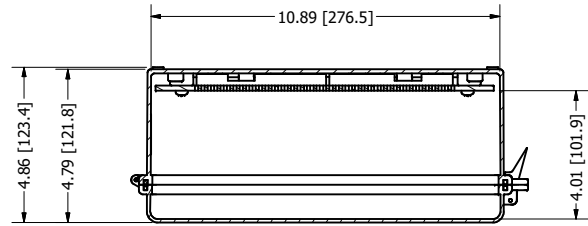
- Weight: 5 lbs
- Material: UL 94-5VA Light Gray PBT/PC Blended Plastic Enclosure Base & Latches
 UL 94-5VA Light Gray PBT/PC Blended Plastic Enclosure Cover (For -00 SKUs Only)
 UL 94V-0 Clear Polycarbonate Enclosure Cover (For -C SKUs Only)
 UL 94-HB Light Gray ABS Plastic Universal Mounting Panel
 18 Ga. White Powder Coated Steel T-Bar Bracket
 0.047" Stainless Steel Mounting Brackets

- UL94-5VA PBT/PC blended plastic UL508 listed
- Finish: UV stabilized Light Gray
- Designed to NEMA 3R, 4, 4X, 12, and 13, and IEC529-IP65

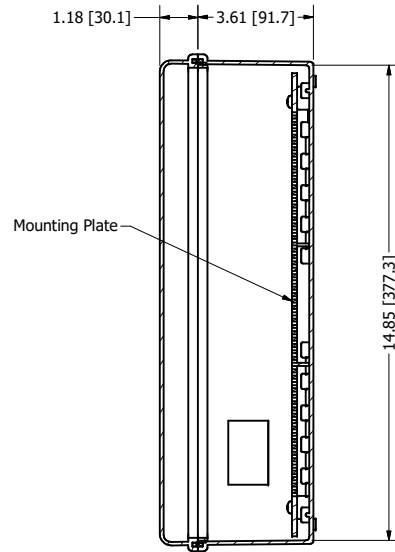
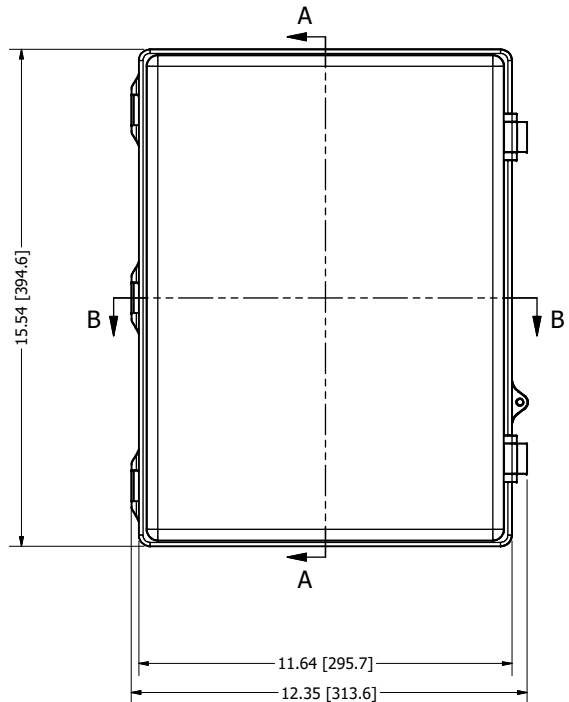
Includes:

- (1) Enclosure
- (1) Universal Mounting Panel
- (1) T-Bar Bracket
- (4) Mounting Brackets
- (8) M5 x 10 mm Phillips Pan Head Screws
- (4) #6 x 5/16 in. Flat Head Thread-Forming Screws
- (4) #6 x 5/16 in. Pan Head Thread-Forming Screws

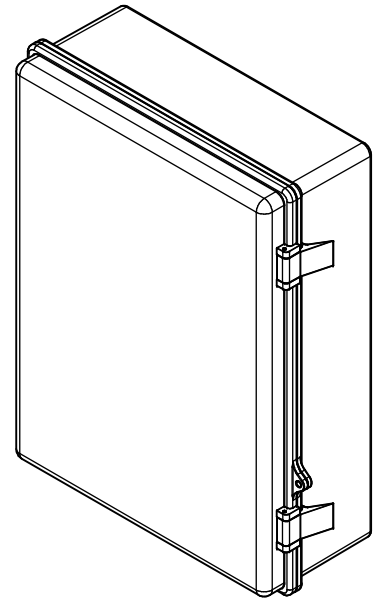
DRAWN CAH	7/19/2020	Oberon, Inc. - 1315 S. Allen St. - State College, PA 16801		
CHECKED CAH	7/19/2020	TITLE		
QA QA		Model 1024-00 & 1024-C		
MFG CAH	7/19/2020	SIZE C	DWG NO 1024-00 & 1024-C	REV 1
APPROVED CAH	7/19/2020	SCALE	SHEET 1 OF 2	
TOLERANCE:		.0 = +/- .030		
		.00 = +/- .015		
		.000 = +/- .005		



SECTION B-B
SCALE 1 / 3



SECTION A-A
SCALE 1 / 3



ISOMETRIC VIEW

DRAWN CAH	7/19/2020	Oberon, Inc. - 1315 S. Allen St. - State College, PA 16801		
CHECKED CAH	7/19/2020	TITLE		
MFG CAH	7/19/2020	Model 1024-00 & 1024-C		
APPROVED CAH	7/19/2020	SIZE C	DWG NO 1024-00 & 1024-C	REV 1
TOLERANCE: .0 = +/- .030 .00 = +/- .015 .000 = +/- .005		SCALE	SHEET 2 OF 2	