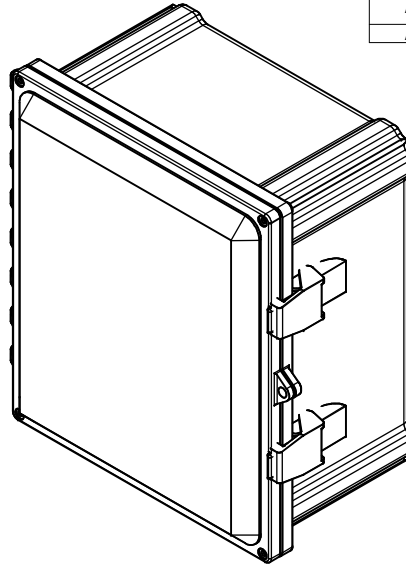
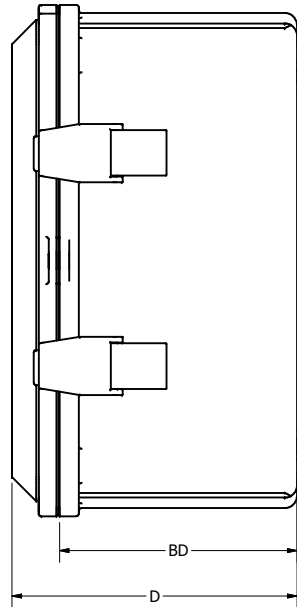
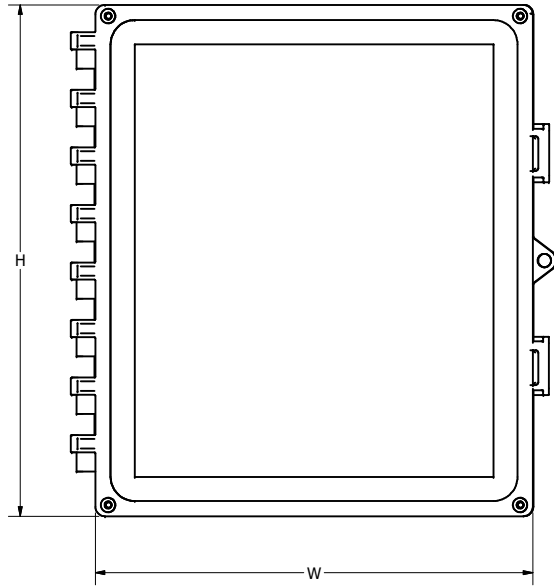
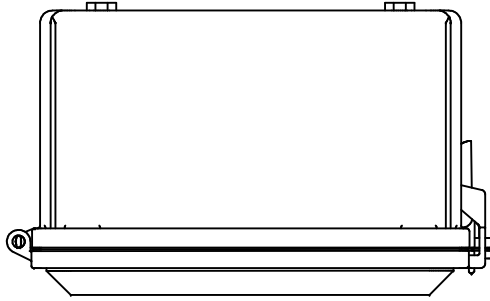


REVISION HISTORY				
ZONE	REV	DESCRIPTION	DATE	APPROVED
All	1	Released	1/11/2012	MDA
All	2	Added ABS Mounting Plate	12/4/2014	EAS
All	3	Added size chart and includes list	4/20/2016	EAS
All	4	Updated Notes, "Includes" List, and Configuration Table; Changed Title to "Model 1026-XX"	7/31/2020	CAH
All	5	Updated Notes	9/23/2020	CAH

Configuration Table				
MODEL NUMBER	HEIGHT (H)	WIDTH (W)	DEPTH (D)	BASE DEPTH (BD)
1026-1084-00	11.40 in.	9.40 in.	5.86 in.	4.64 in.
1026-1084-C	11.40 in.	9.40 in.	5.86 in.	4.64 in.
1026-12106-00	13.40 in.	11.40 in.	7.38 in.	6.14 in.
1026-12106-C	13.40 in.	11.40 in.	7.38 in.	6.14 in.
1026-14126-00	15.40 in.	13.40 in.	7.38 in.	6.14 in.
1026-14126-C	15.40 in.	13.40 in.	7.38 in.	6.14 in.
1026-16148-00	17.40 in.	15.40 in.	9.38 in.	8.14 in.
1026-16148-C	17.40 in.	15.40 in.	9.38 in.	8.14 in.
1026-242410-00	25.40 in.	25.40 in.	11.33 in.	10.14 in.
1026-242410-C	25.40 in.	25.40 in.	11.33 in.	10.14 in.



ISOMETRIC VIEW



NOTES:

- Material: UL94-5VA Light Gray Polycarbonate Plastic Enclosure Base
- UL94-5VA Light Gray Polycarbonate Plastic Enclosure Door (For -00 SKUs Only)
- UL94-V0 Tinted Clear Polycarbonate Plastic Enclosure Door (For -C SKUs Only)
- UL94-5VA Black ABS Plastic Internal Mounting Plate
- UL94-5VA Light Gray Polycarbonate Plastic Mounting Feet

Includes:

- (1) Enclosure
- (1) Internal Mounting Plate
- (4) Mounting Feet (For All SKUs Except -242410)
- (4) 1/4"-20 x 1/2 in. Mounting Feet Screws (For All SKUs Except -242410)
- (4) #10 x 3/8 in. Mounting Plate Screws
- (4) #10 x 5/8 in. Lid Screws
- (4) #10 Washers
- (4) Small Hole Covers
- (1) Large Hole Cover

DRAWN CAH	9/23/2020	Oberon, Inc. - 1315 S. Allen St. - State College, PA 16801		
CHECKED CAH	9/23/2020	TITLE		
QA		Model 1026-XX		
MFG CAH	9/23/2020	SIZE C	DWG NO 1026-XX	REV 5
APPROVED CAH	9/23/2020	SCALE	SHEET 1 OF 1	
TOLERANCE:		.0 = +/- .030		
		.00 = +/- .015		
		.000 = +/- .005		