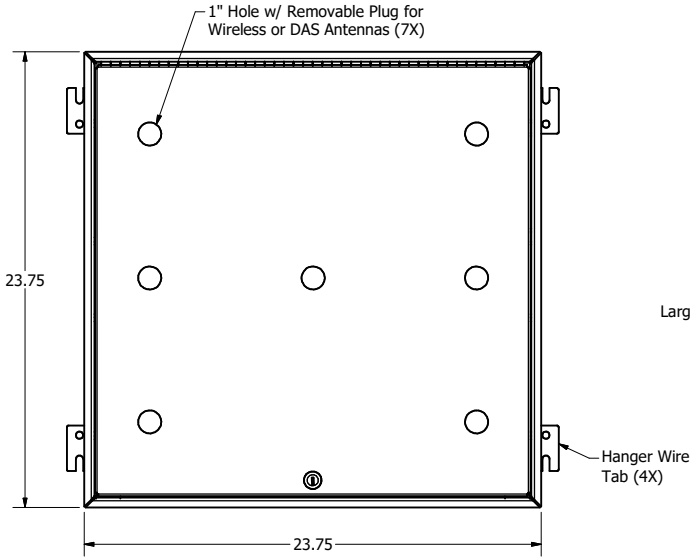
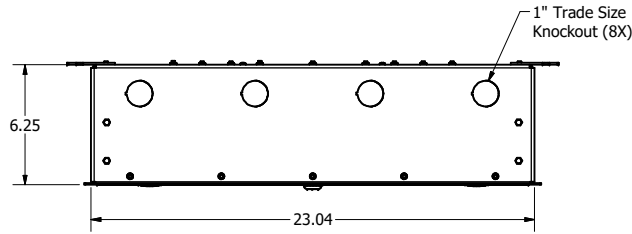
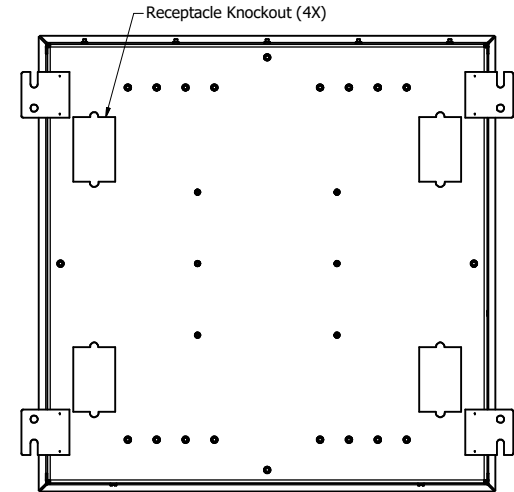
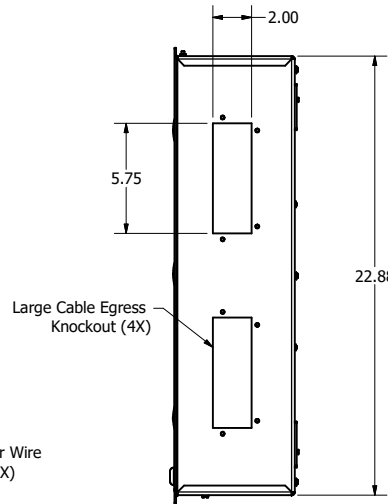


ENCLOSURE BACKBOX

| REVISION HISTORY | | | | |
|------------------|-----|---|-----------|----------|
| ZONE | REV | DESCRIPTION | DATE | APPROVED |
| All | 1 | Released | 12/4/2013 | MDA |
| All | 2 | Updated Views, Notes, and "Includes" List | 3/6/2020 | CAH |



FRONT VIEW



BACK VIEW

NOTES:

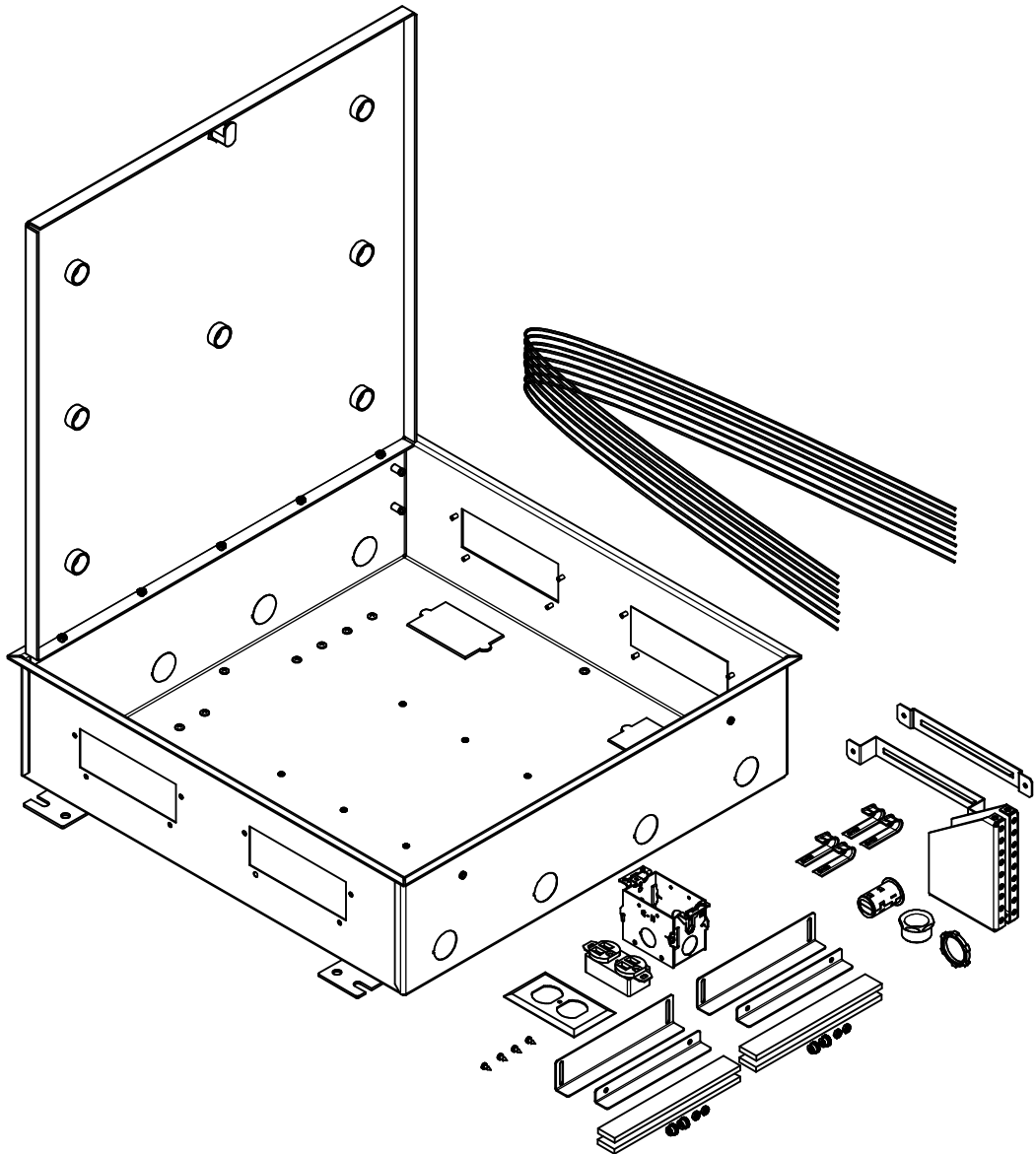
- Weight: 18 lbs.
- Material: 10 Ga. White Powder Coated Aluminum Backbox
10 Ga. White Powder Coated Aluminum Door

Includes: (See Page 2)

- UL Listed File No. E348543
- OSHPD Approved: File No. OPA-1638-10

NOTE: All materials used in the construction of Oberon products must be RoHS compliant and meet RoHS2 Directive 2011/65/EU. Contact Oberon engineering if RoHS compliant materials are not available.

| | | | | |
|-----------------|--|--|------------------------|----------|
| DRAWN CAH | 3/6/2020 | Oberon, Inc. - 1315 S. Allen St. - State College, PA 16801 | | |
| CHECKED CAH | 3/6/2020 | TITLE | | |
| QA | | Model 1074-06-ANT7 | | |
| MFG CAH | 3/6/2020 | SIZE C | DWG NO 1074-06-ANT7 | REV 2 |
| APPROVED CAH | 3/6/2020 | SCALE | SHEET 1 OF 2 | |
| TOLERANCE: | .0 = +/- .030 .00 = +/- .015 .000 = +/- .005 | | | |



Includes:

- (1) Enclosure with Specified Door
- (1) Dual Cable Egress Firestop Grommet
- (1) 1" Trade Size Conduit Connector
- (2) 5" Cable Egress Firestop Foam Kit
- (8) Hanger Wires
- (4) Wire management J-Hooks
- (2) Keys for Lock
- (1) Grounding Screw
- (4) #6-20 x 3/8" Self-Tapping Screws
- (1) T-bar Mount
- (1) Low-profile T-bar Mount
- (1) Receptacle Assembly
- (1) Receptacle Assembly Hardware
- Left and Right TIA Compliant Rack Mount Brackets

| | | | | |
|-----------------|----------|--|--------------|-----|
| DRAWN | 3/6/2020 | Oberon, Inc. - 1315 S. Allen St. - State College, PA 16801 | | |
| CHECKED | 3/6/2020 | TITLE | | |
| MFG | 3/6/2020 | Model 1074-06-ANT7 | | |
| APPROVED | 3/6/2020 | SIZE | DWG NO | REV |
| TOLERANCE: | | C | 1074-06-ANT7 | 2 |
| .0 = +/- .030 | | SCALE | SHEET 2 OF 2 | |
| .00 = +/- .015 | | | | |
| .000 = +/- .005 | | | | |