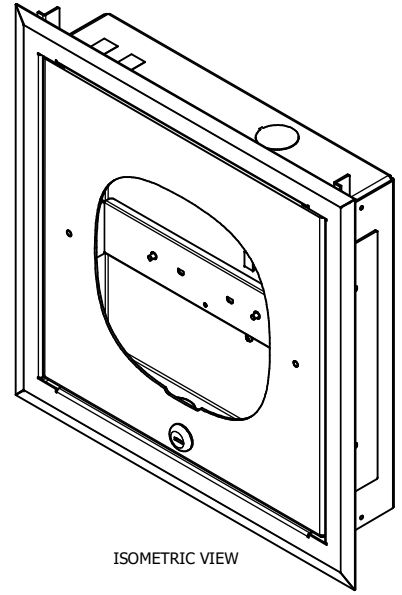
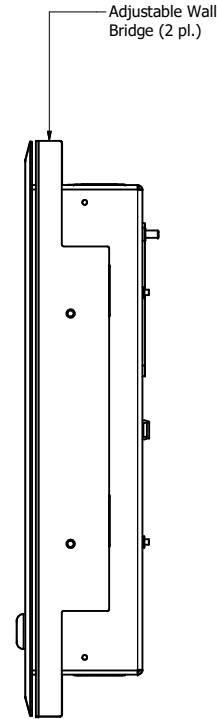
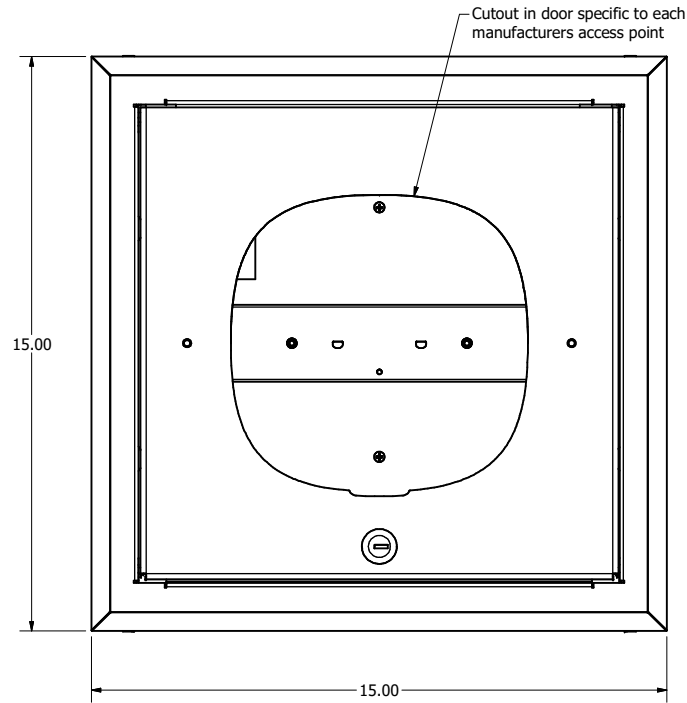
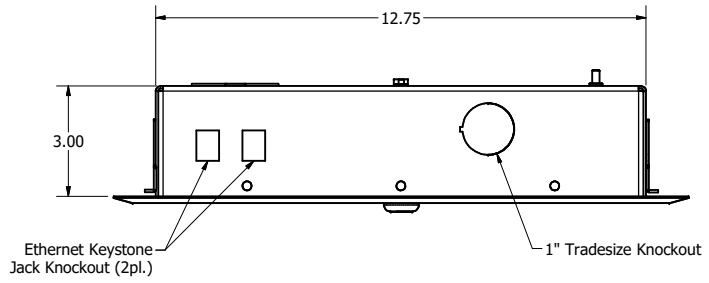


| REVISION HISTORY | | | | |
|------------------|-----|-------------|------------|----------|
| ZONE | REV | DESCRIPTION | DATE | APPROVED |
| All | 1 | Released | 10/21/2019 | RLC |



NOTES:

- UL Listed NWIN: File No. E348543
- Weight: 11 lbs.
- Material: 16 Ga. Galvaneal Backbox
14 Ga. White Powder Coated Steel Door
18 Ga. White Powder Coated Steel Flange
- Includes: (2) Wall Bridge
(1) Mounting Plate
(4) No. 8-32 Hex Nut
(1) Fire Stop Grommet
(4) Eyebolt
(1) Caddy Speed Link™ support wire

| | | | |
|--|----------------|------------|--|
| Oberon, Inc. - 1315 S. Allen St. - State College, PA 16801 | | | |
| TITLE | | | |
| Model 1076-XXXX | | | |
| SIZE | DWG NO | DATE | |
| C | Model1076-XXXX | 10/21/2019 | |
| SCALE | SHEET 1 OF 2 | | |

Please specify configuration when ordering:

1076 - _____

BASE - AP DOOR
(see Configurations)

| Configuration Table | | | |
|---------------------|------|-----------|---|
| MODEL NUMBER | BASE | AP DOOR | ACCESS POINT |
| 1076-AP205 | 1076 | AP205 | Aruba AP205 |
| 1076-AP215 | 1076 | AP215 | Aruba AP215 |
| 1076-AP225 | 1076 | AP225 | Aruba AP225 |
| 1076-AP325 | 1076 | AP325 | Aruba AP325 |
| 1076-AP335 | 1076 | AP335 | Aruba AP335 or AP345 |
| 1076-ARAP515 | 1076 | AP515 | Aruba AP515 |
| 1076-ARAP535 | 1076 | AP535 | Aruba AP535 |
| 1076-CCOAP | 1076 | CCOAP | Cisco 2600, 2700, 3500, 3600, 3700 Series APs |
| 1076-CCOAP3800 | 1076 | CCOAP3800 | Cisco 2800, 3800 Series APs |
| 1076-COAP4800 | 1076 | COAP4800 | Cisco 4800 Series APs |
| 1076-COAP9115 | 1076 | COAP9115 | Cisco 9115i Series APs |
| 1076-COAP9117 | 1076 | COAP9117 | Cisco 9117i Series APs |
| 1076-COAP9120 | 1076 | COAP9120 | Cisco 9120i Series APs |
| 1077-ND | 1076 | ND | N/A (No Door Included) |

| | | | |
|--|----------------|------------|--|
| Oberon, Inc. - 1315 S. Allen St. - State College, PA 16801 | | | |
| TITLE | | | |
| Model 1076-XXXX | | | |
| SIZE | DWG NO | DATE | |
| C | Model1076-XXXX | 10/21/2019 | |
| SCALE | SHEET 2 OF 2 | | |