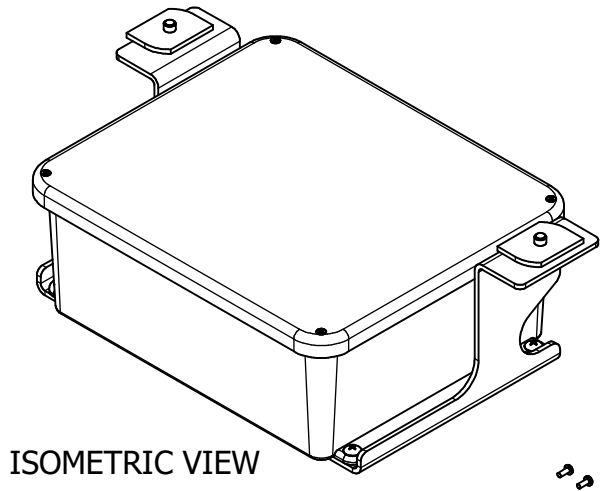
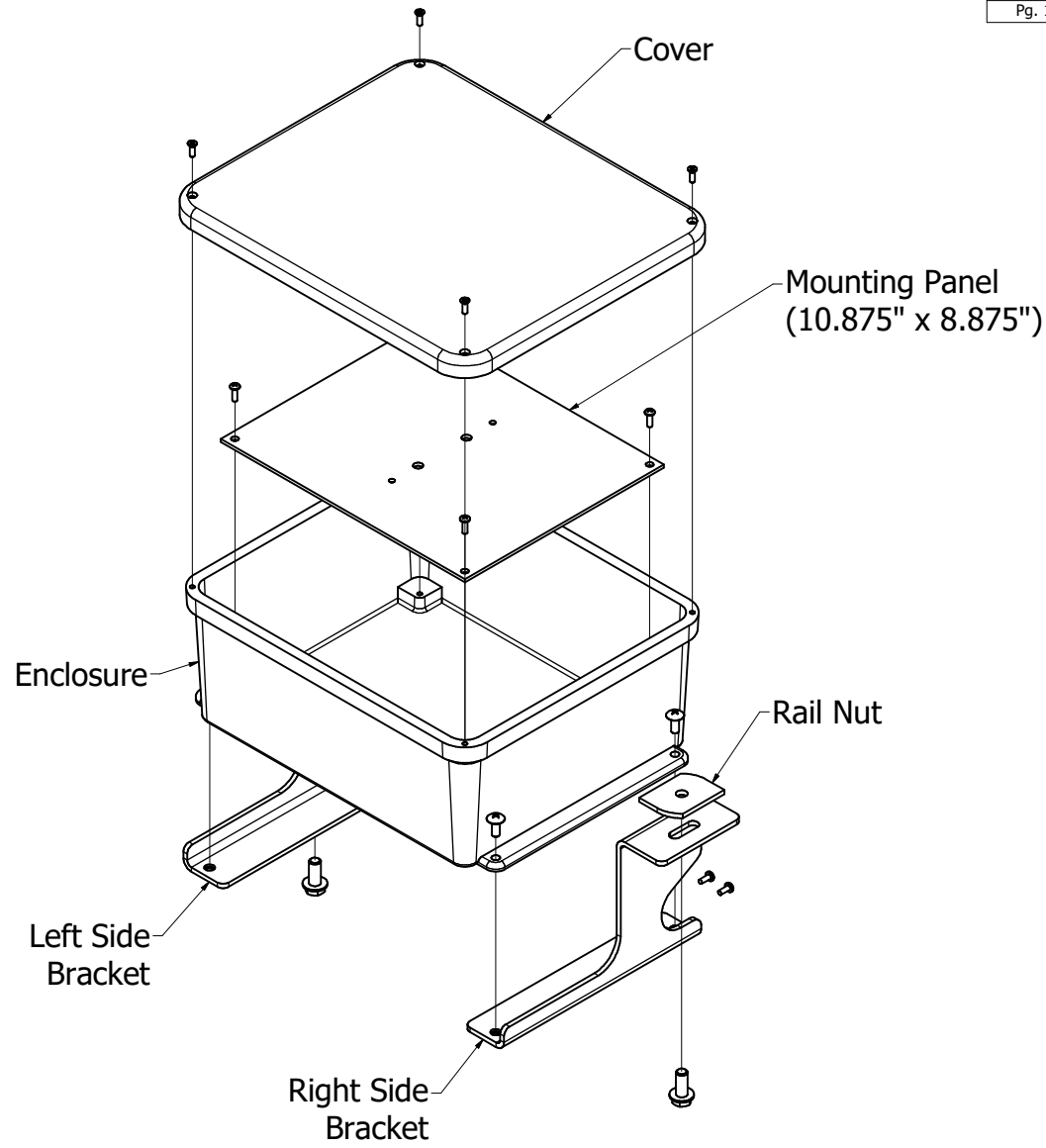


REVISION HISTORY				
ZONE	REV	DESCRIPTION	DATE	APPROVED
All	1	Released	4/3/2020	CAH
Pg. 1, 3	2	Updated Notes and "Includes" List; Removed P/N Table	4/20/2020	CAH



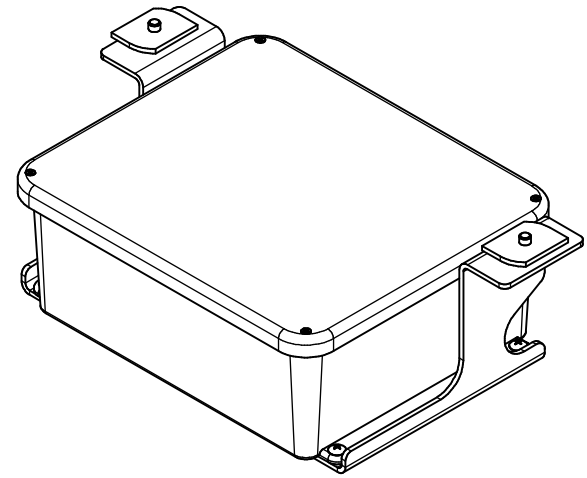
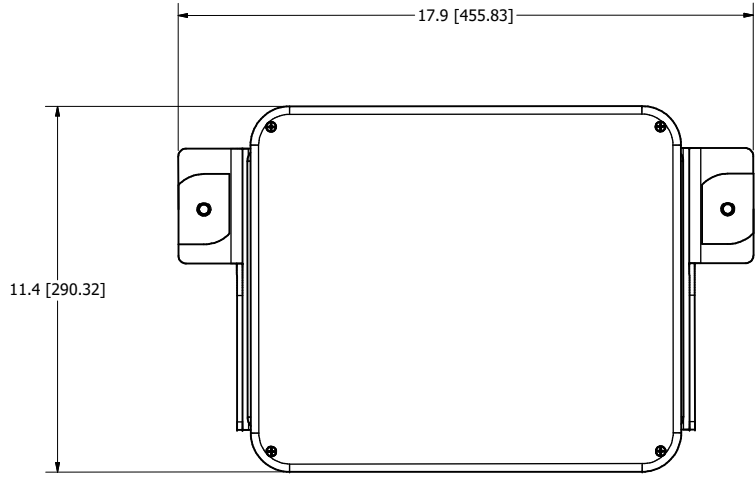
**NOTE:**

- Weight: 10.5 lbs
- Material:  
Fiberglass Enclosure, Cover, and Mounting Panel  
4 Ga. (.204") 5052 Aluminum Brackets  
8 Ga. (.172") 316 Stainless Steel Rail Nuts

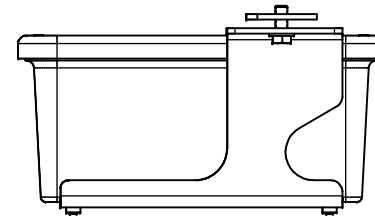
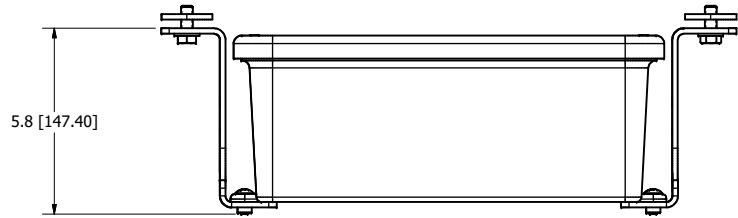
**Includes:**

- (1) Enclosure and Cover
- (1) Universal Mounting Panel
- (1) Left Side Bracket
- (1) Right Side Bracket
- (2) Rail Nuts
- (2) M4 x 10 mm Pan Head Screws
- (4) #8 x 1/2 in. Pan Head Screws
- (4) #8 x 1/2 in. Flat Head Screws
- (2) 3/8-16 x 7/8 in. Hex Head Screws
- (4) 1/4-20 x 5/8 in. Truss Head Screws

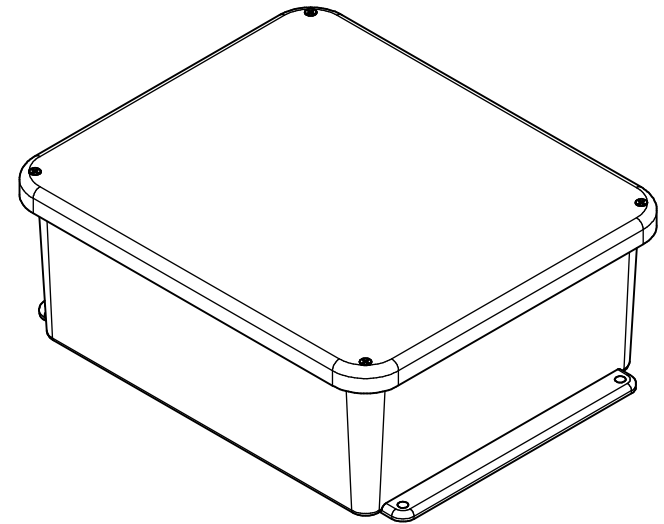
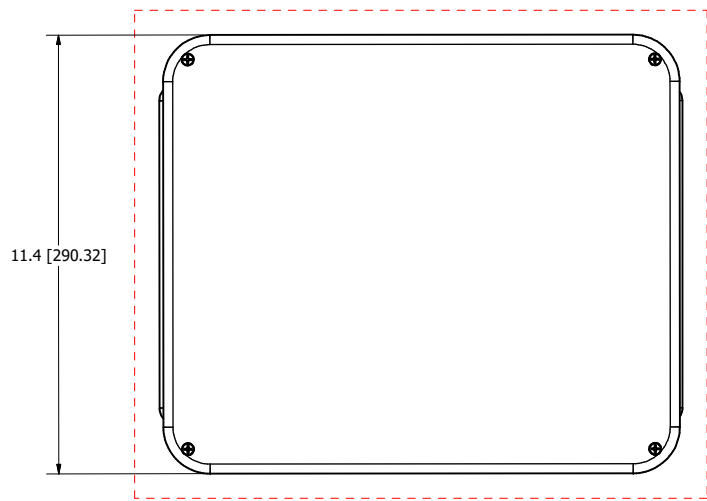
DRAWN CAH	4/20/2020	Oberon, Inc. - 1315 S. Allen St. - State College, PA 16801		
CHECKED CAH	4/20/2020	TITLE		
QA		Model 3005-00		
MFG CAH	4/20/2020	SIZE C	DWG NO 3005-00	REV 2
APPROVED CAH	4/20/2020	SCALE	SHEET 1 OF 3	
TOLERANCE:	.0 = +/- .030 .00 = +/- .015 .000 = +/- .005			



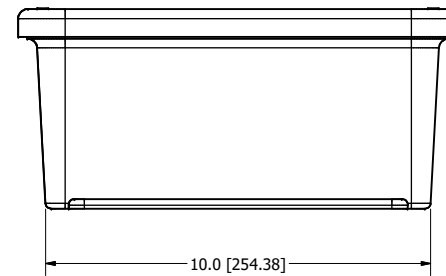
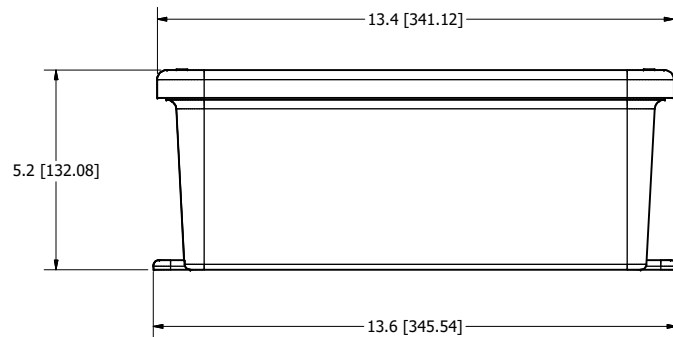
ISOMETRIC VIEW



DRAWN CAH	4/20/2020	Oberon, Inc. - 1315 S. Allen St. - State College, PA 16801		
CHECKED CAH	4/20/2020	TITLE		
QA		Model 3005-00		
MFG CAH	4/20/2020	SIZE C	DWG NO 3005-00	REV 2
APPROVED CAH	4/20/2020	SCALE	SHEET 2 OF 3	
TOLERANCE:	.0 = +/- .030 .00 = +/- .015 .000 = +/- .005			



ISOMETRIC VIEW



**NOTE:**

- Usable Inside Space:  
11.7 x 9.7 x 4.9 in. (298 x 247 x 124 mm)

DRAWN CAH	4/20/2020	Oberon, Inc. - 1315 S. Allen St. - State College, PA 16801		
CHECKED CAH	4/20/2020	TITLE		
QA		Model 3005-00		
MFG CAH	4/20/2020	SIZE C	DWG NO 3005-00	REV 2
APPROVED CAH	4/20/2020	SCALE	SHEET 3 OF 3	
TOLERANCE:	.0 = +/- .030 .00 = +/- .015 .000 = +/- .005			