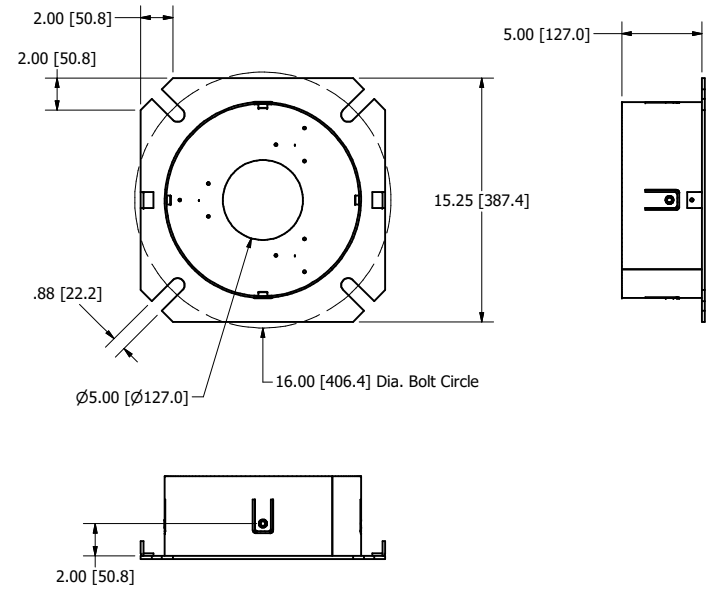
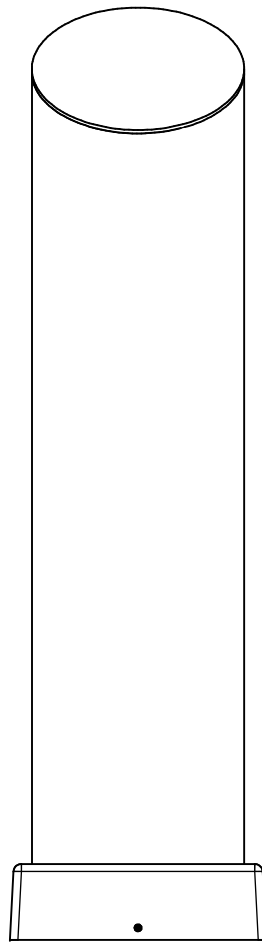
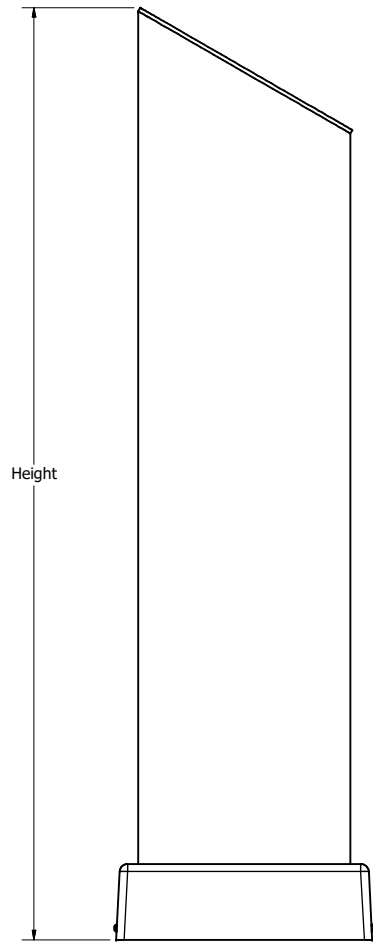
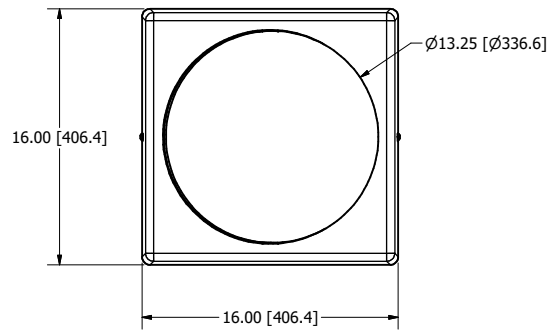


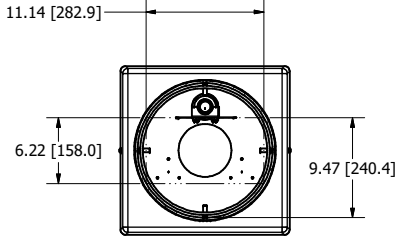
PARTS LIST		
ITEM	QTY	DESCRIPTION
1	1	Fiber Glass Bollard Tube
2	1	ABS Bolt Cover
3	1	Cisco Mounting Bracket
4	4	#8-32 Screws
5	1	1.25" Pole Fitting
6	1	Right Angle Equipment Bracket
7	1	1.25" Equipment Pole
8	2	1-7/16" Clamping U-Bolt
9	1	5/32" Hex Pin In Bit
10	1	WiFi Decal
11	3	#10-32 Flat Head Screws
12	1	G90 Galvanized Steel Anchor Base
13	2	1/4-20 Hex Pin in Bit Tamper Resistant Screws
14	1	Installation Instruction Sheet
15	4	3/8-16 Screws
61	1	Paper "Model Label" with: Model, EPN, Rev, Lot, "www.oberoninc.com"

Oberon, Inc. - 1315 S. Allen St. - State College, PA 16801		
TITLE		
Model 3030-00 Bollard		
SIZE	DWG NO	DATE
C	3030-00	6/11/2021
SCALE	SHEET 1 OF 3	

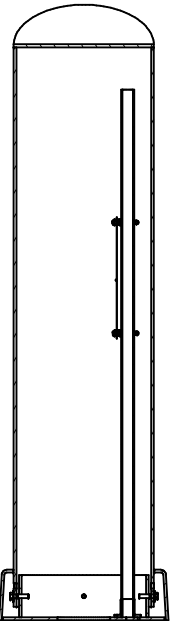
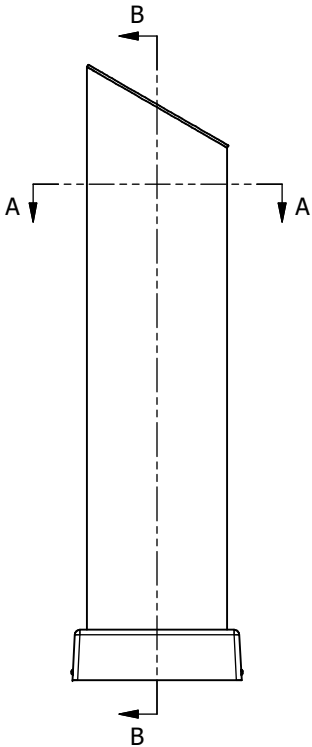


Oberon, Inc. - 1315 S. Allen St. - State College, PA 16801		
TITLE		
Model 3030-00 Bollard		
SIZE	DWG NO	DATE
C	3030-00	6/11/2021
SCALE	SHEET 2 OF 3	

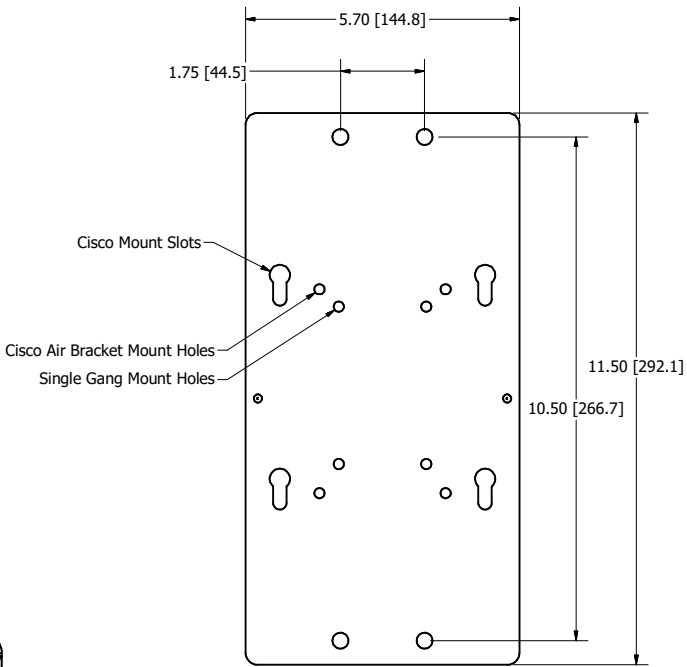
INCLUDED MOUNTING BRACKETS



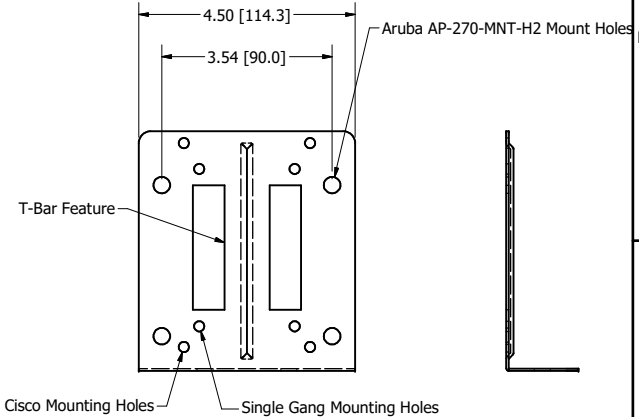
SECTION A-A
SCALE 0.11 : 1



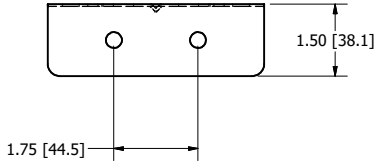
SECTION B-B
SCALE 0.11 : 1



CISCO BRACKET



RIGHT ANGLE EQUIPMENT BRACKET



Oberon, Inc. - 1315 S. Allen St. - State College, PA 16801		
TITLE		
Model 3030-00 Bollard		
SIZE	DWG NO	DATE
C	3030-00	6/11/2021
SCALE	SHEET 3 OF 3	