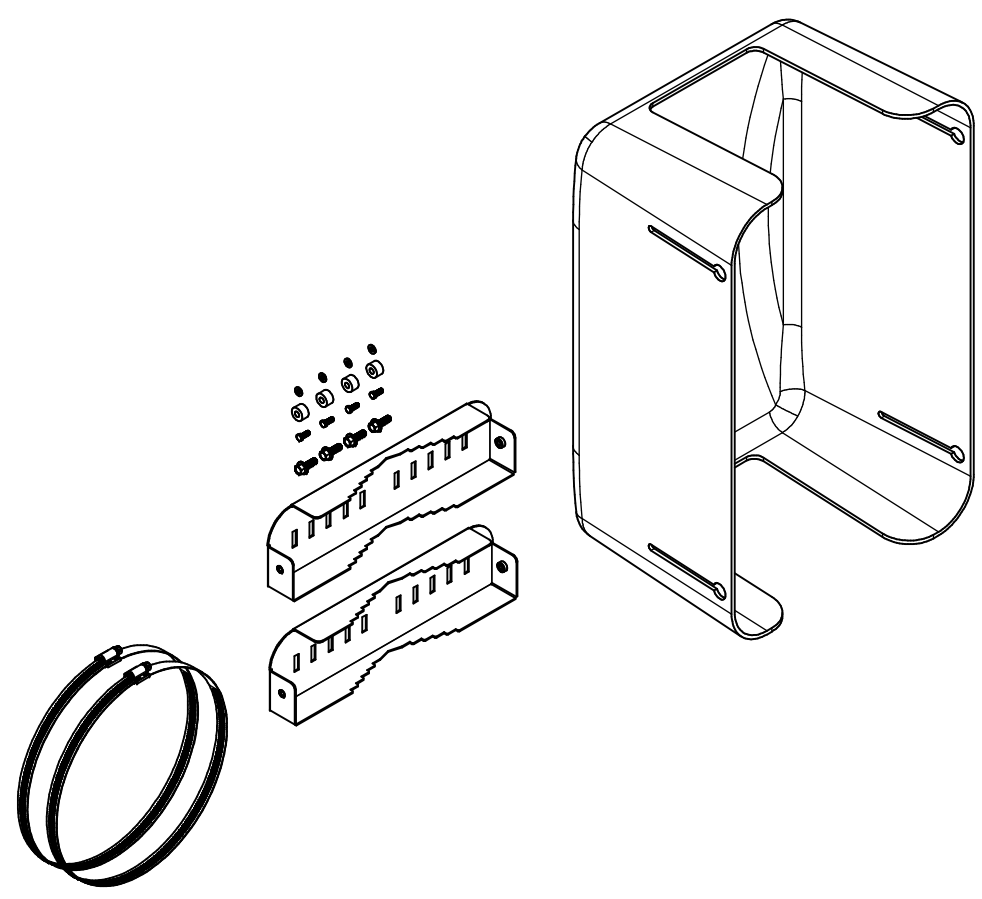


REVISION HISTORY				
ZONE	REV	DESCRIPTION	DATE	APPROVED
All	1	Released	7/21/2020	CAH
All	2	Updated Notes	8/6/2020	CAH



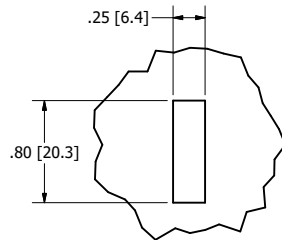
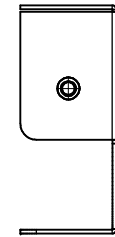
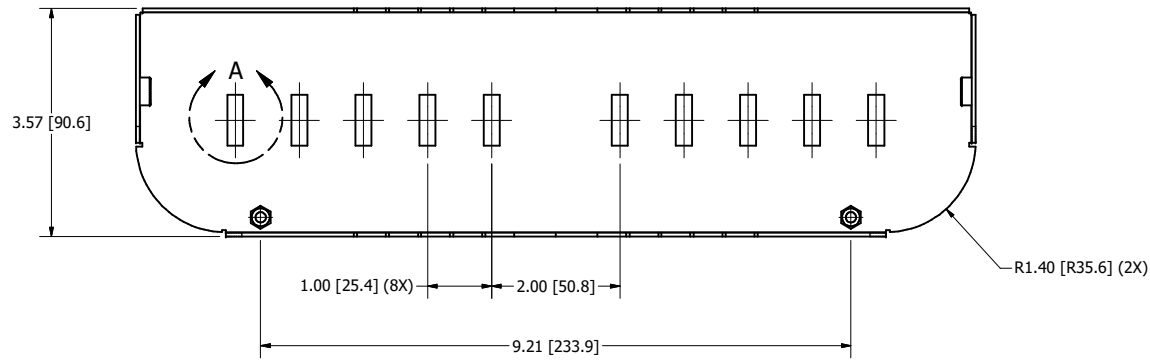
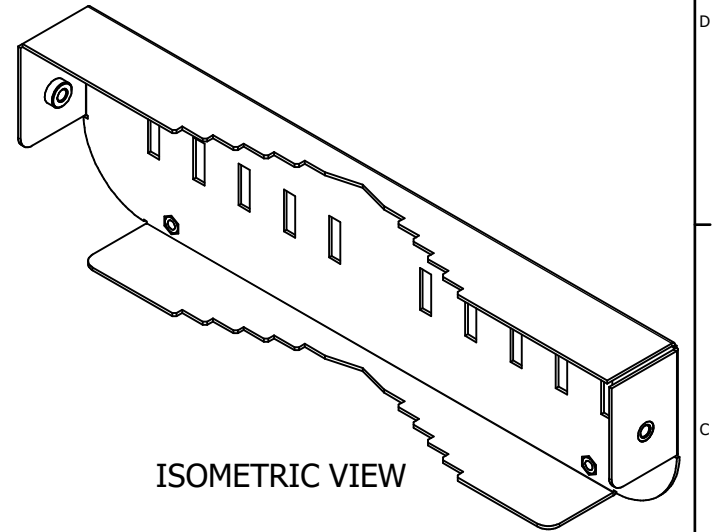
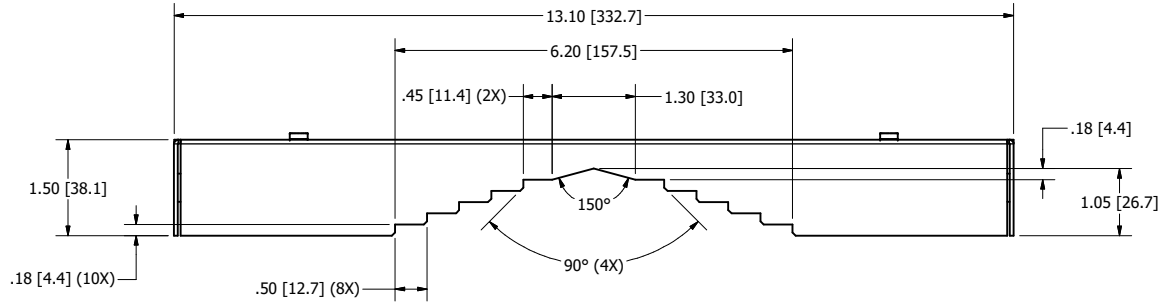
NOTE:

- Weight: 9 lbs
- Material: 16 Ga. Stainless Steel Pole Mount Brackets
UL94-HB White ABS Plastic Cover

Includes:

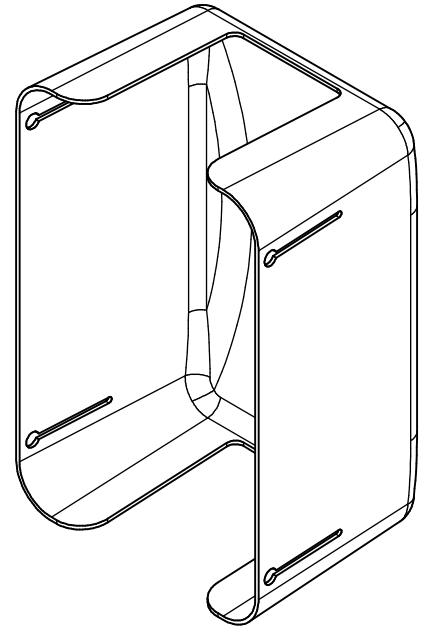
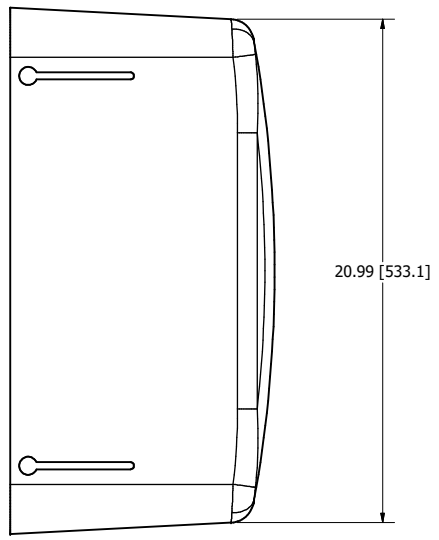
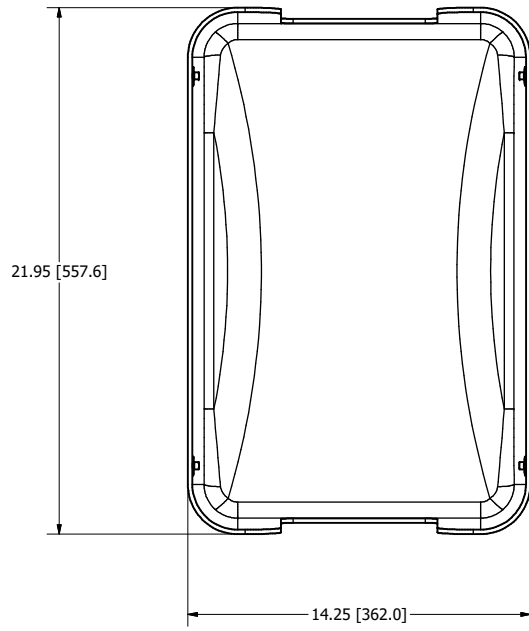
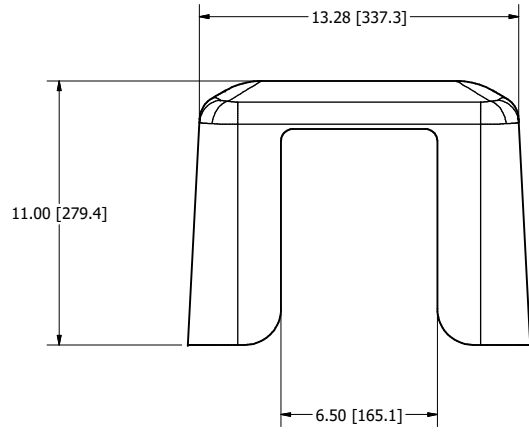
- (2) Pole Mount Brackets
- (2) 7-1/8 to 10 in. Worm-Drive Clamps
- (4) 1/4"-20 x 3/4 in. Hex Head Screws
- (4) M4 x 12 mm Hex Head Screws
- (4) Aluminum 3/8 in. Spacers
- (4) M4 Washers
- (1) Cover with UV Clamp

DRAWN CAH	8/6/2020	Oberon, Inc. - 1315 S. Allen St. - State College, PA 16801		
CHECKED CAH	8/6/2020	TITLE		
QA		Model 33-1021-PMB-CVR		
MFG CAH	8/6/2020	SIZE C	DWG NO 33-1021-PMB-CVR	REV 2
APPROVED CAH	8/6/2020	SCALE	SHEET 1 OF 3	
TOLERANCE:	.0 = +/- .030 .00 = +/- .015 .000 = +/- .005			



DETAIL A
SCALE 1.33 : 1

DRAWN	8/6/2020	Oberon, Inc. - 1315 S. Allen St. - State College, PA 16801		
CHECKED	8/6/2020	TITLE		
CAH		Model 33-1021-PMB-CVR		
QA				
MFG	8/6/2020	SIZE	DWG NO	REV
CAH		C	33-1021-PMB-CVR	2
APPROVED	8/6/2020	SCALE	SHEET 2 OF 3	
CAH				
TOLERANCE:	.0 = +/- .030 .00 = +/- .015 .000 = +/- .005			



ISOMETRIC VIEW

DRAWN CAH	8/6/2020	Oberon, Inc. - 1315 S. Allen St. - State College, PA 16801		
CHECKED CAH	8/6/2020	TITLE		
QA		Model 33-1021-PMB-CVR		
MFG CAH	8/6/2020	SIZE C	DWG NO 33-1021-PMB-CVR	REV 2
APPROVED CAH	8/6/2020	SCALE	SHEET 3 OF 3	
TOLERANCE:	.0 = +/- .030 .00 = +/- .015 .000 = +/- .005			