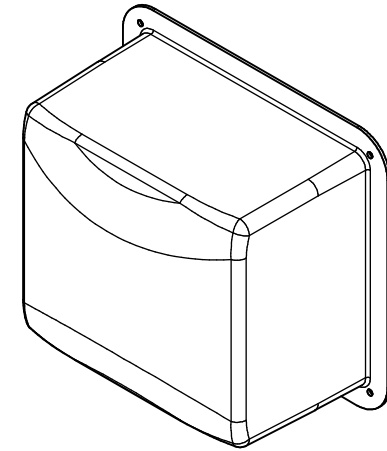
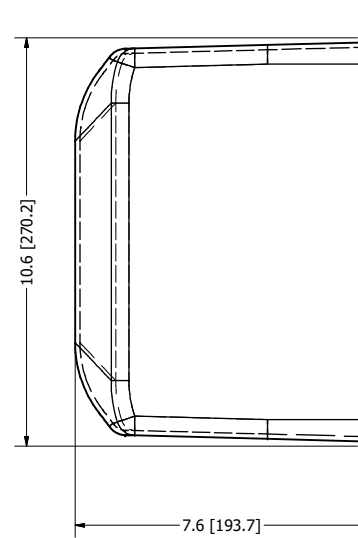
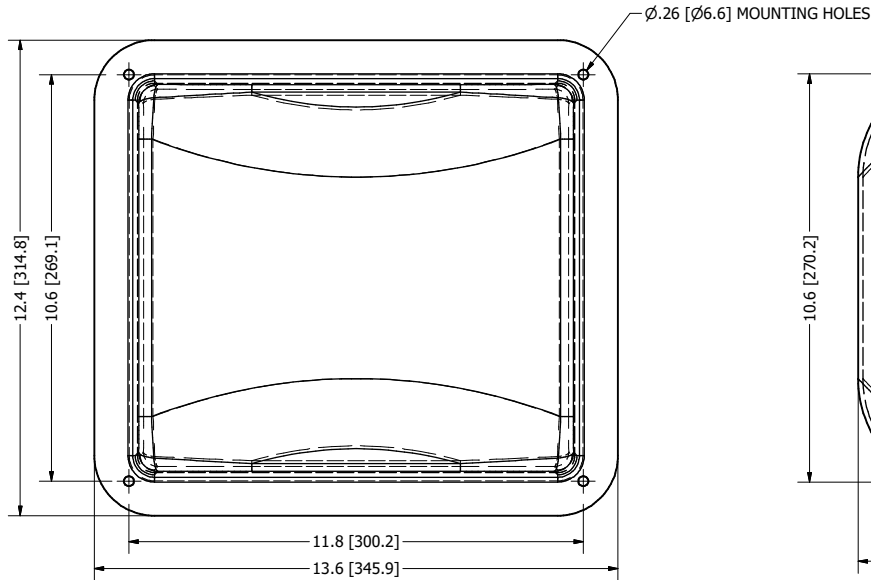
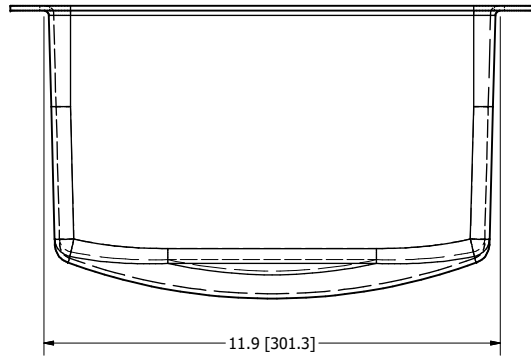


REVISION HISTORY				
ZONE	REV	DESCRIPTION	DATE	APPROVED
All	1	Released	2/1/2019	EAS
All	2	Updated Notes and Views, Added Vanity Cover Look Up Guide	3/2/2020	CAH
All	3	Updated Notes, Vanity Cover Look Up Guide	3/16/2020	CAH
All	4	Updated Vanity Cover Look Up Guide	3/18/2020	CAH



ISOMETRIC VIEW

NOTES:

- Material: Polycarbonate, 0.125" Starting Thickness
- Color: Clear

Includes:

- (1) Cover
- (4) Hinged Black Screw Caps
- (1) Black Rubber Edge Trim

VANITY COVER LOOK UP GUIDE			
VANITY COVER P/N	ACCESS POINT	VANITY COVER SIZE	MATERIAL (COLOR)
33-ANT-CVR-C	General Purpose, For Most APs w/ External Antennas	11.9 x 10.6 x 7.6 in.	Ploycarbonate (Clear)
33-ANT-CVR-WH	General Purpose, For Most APs w/ External Antennas	11.9 x 10.6 x 7.6 in.	ABS (White)
33-AP-CVR	Cisco 2600, 2700, 3500, 3600, 3700, 9115 Series AP	8.75 x 8.75 x 2.1 in.	ABS (Black)
33-AP335-CVR	Aruba AP305, AP315, AP325, AP335, AP345, AP515	9.25 x 9.25 x 1.875 in.	ABS (Black)
33-AP3800-CVR	Cisco 1830, 1850, 2800, 3800, 9117, 9120 Series AP Ubiquiti UAP-AC-HD-US Huawei AP7060DN	8.87 x 8.87 x 2.33 in.	ABS (Black)
33-COAP4800-CVR	Cisco 4800 Aruba AP535	10.09 x 10.09 x 2.33 in.	ABS (Black)
33-MRAP53-CVR	Meraki MR32, MR34, MR42, MR53	10.9 x 6.75 x 1.7 in.	ABS (Black)
33-VCVR-1	Cisco 9115, 9120 Series APs	8.85 x 8.85 x 1.84 in.	ABS (Black)

DRAWN CAH	3/18/2020	Oberon, Inc. - 1315 S. Allen St. - State College, PA 16801		
CHECKED CAH	3/18/2020	TITLE		
QA		Model 33-ANT-CVR-C		
MFG CAH	3/18/2020			
APPROVED CAH	3/18/2020			
TOLERANCE:	.0 = +/- .030 .00 = +/- .015 .000 = +/- .005	SIZE C	DWG NO 33-ANT-CVR-C	REV 4
		SCALE	SHEET 1 OF 1	