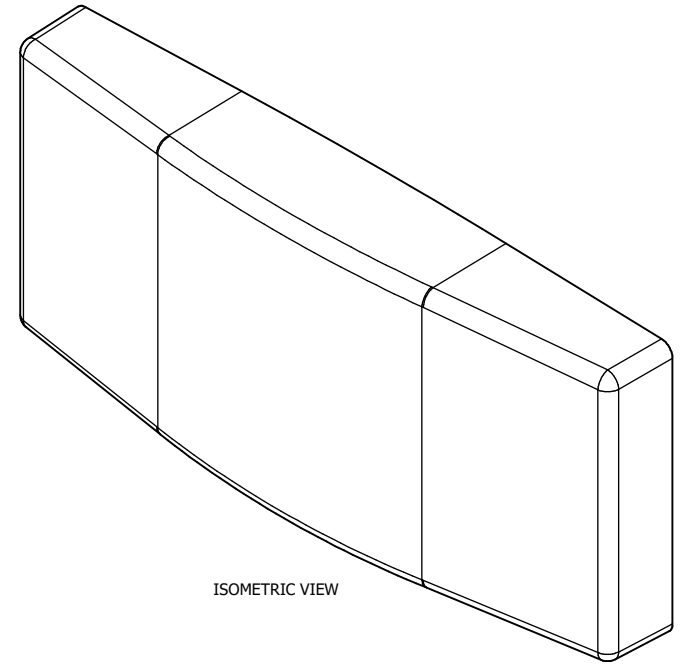
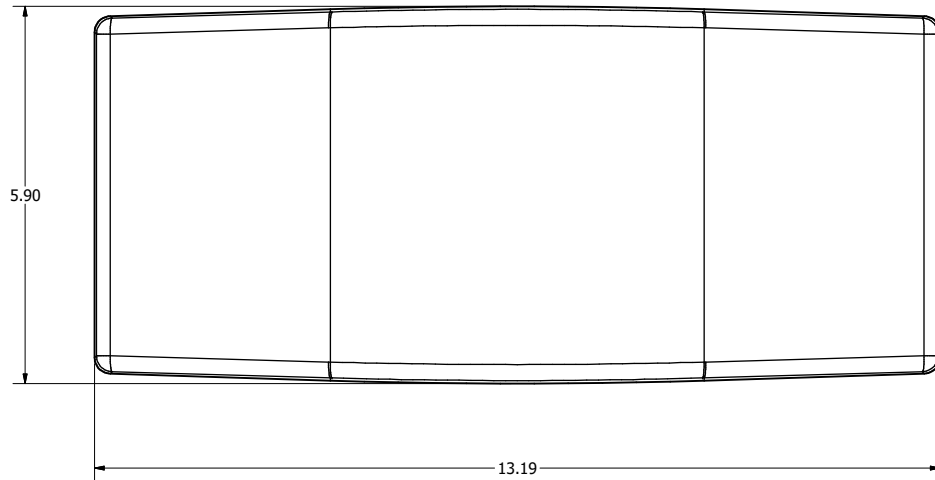
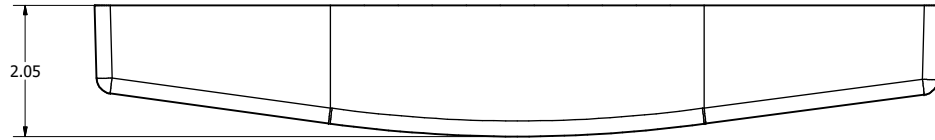


REVISION HISTORY				
ZONE	REV	DESCRIPTION	DATE	APPROVED
All	1	Released	6/11/2020	RLC



**NOTES:**

- Material: UL94-5VA Black ABS Plastic 0.090"  
Starting Thickness

**Includes:**

- (1) Vanity Cover
- (4) Fastening Strips
- (1) Alcohol Wipe

Oberon, Inc. - 1315 S. Allen St. - State College, PA 16801

TITLE			
Model 33-MR55-CVR			
SIZE	DWG NO	DATE	
C	4165	6/11/2020	
SCALE	SHEET 1 OF 1		