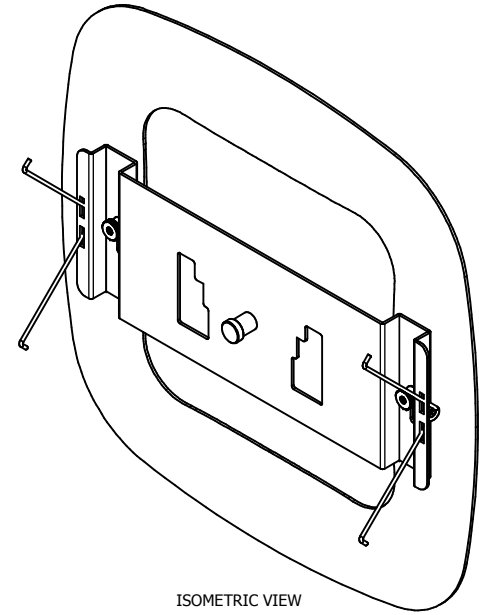
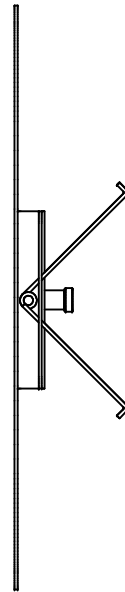
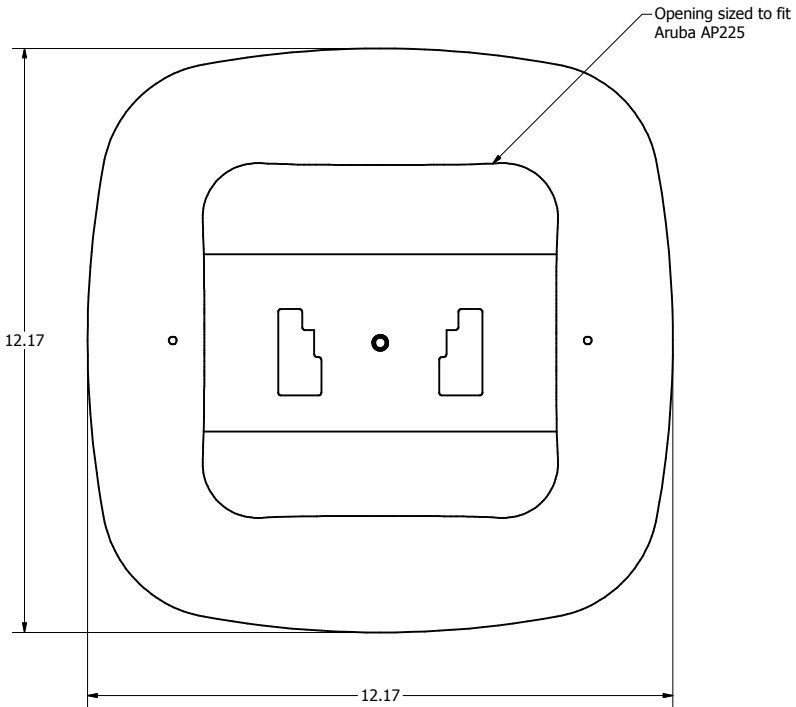
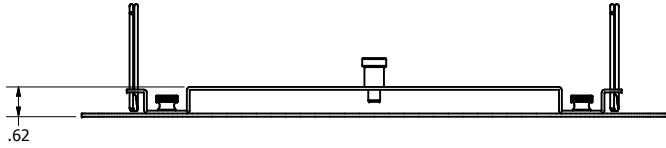


REVISION HISTORY				
ZONE	REV	DESCRIPTION	DATE	APPROVED
All	1	Released	10/5/2018	RLC



NOTES:

- Weight: 2 lbs.
- Material: White Powder Coat Steel Trim, Gauges Based on Model Number

Includes:

-Installation Hardware Specific to Access Point

NOTE: All materials used in the construction of Oberon products must be RoHS compliant and meet RoHS2 Directive 2011/65/EU. Contact Oberon engineering if RoHS compliant materials are not available.

DRAWN RLC	10/5/2018	Oberon, Inc. - 1315 S. Allen St. - State College, PA 16801		
CHECKED RLC	10/5/2018	TITLE		
QA		Model 37-104X-AP225-S Trim		
MFG RLC	10/5/2018	SIZE C	DWG NO 37-104X-AP225-S	REV 1
APPROVED RLC	10/5/2018	SCALE	SHEET 1 OF 1	
TOLERANCE:	.0 = +/- .030 .00 = +/- .015 .000 = +/- .005			