

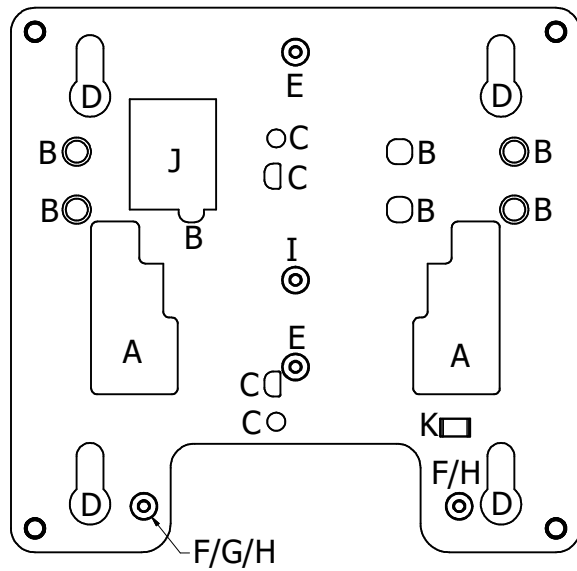
NOTES:

- Weight: 1 lb
- Material: 20 Ga. (.040") Steel
- Finish: White Powder Coat

Includes:

- (1) Receiver Plate
- (2) M4 x 0.7mm Flat Head Screws
- (2) #6-32 x 1/4" Pan Head Screws
- (1) Cable Tie

Oberon, Inc. - 1315 S. Allen St. - State College, PA 16801			
TITLE			
Model 39-1012-PLATE			
SIZE	DWG NO	DATE	
C	39-1012-PLATE	3/9/2020	
SCALE	SHEET 1 OF 2		



AP Mounting Legend

- A - ARUBA 3XX SERIES MOUNTING FEATURES
- B - ARUBA 5XX SERIES MOUNTING HOLES
- C - ARUBA 505 MOUNTING HOLES
- D - KEY SLOTS FOR MOUNTING CISCO APS
- E - SINGLE GANG OUTLET BOX
- F - SINGLE GANG OUTLET BOX HOLES FOR MERAKI APS
(USE "E" MARKED HOLES ON MERAKI "MOUNT PLATE")
- G - SET SCREW HOLE FOR CISCO 27/3700 SERIES APS
- H - SET SCREW HOLES FOR CISCO 28/3800 AND 91XX SERIES APS
- I - SET SCREW HOLE FOR ARUBA 3XX SERIES APS
- J - ETHERNET PORT OPENING
- K - CABLE TIE SLOT

Oberon, Inc. - 1315 S. Allen St. - State College, PA 16801

TITLE			
Model 39-1012-PLATE			
SIZE	DWG NO	DATE	
C	39-1012-PLATE	3/9/2020	
SCALE	SHEET 2 OF 2		