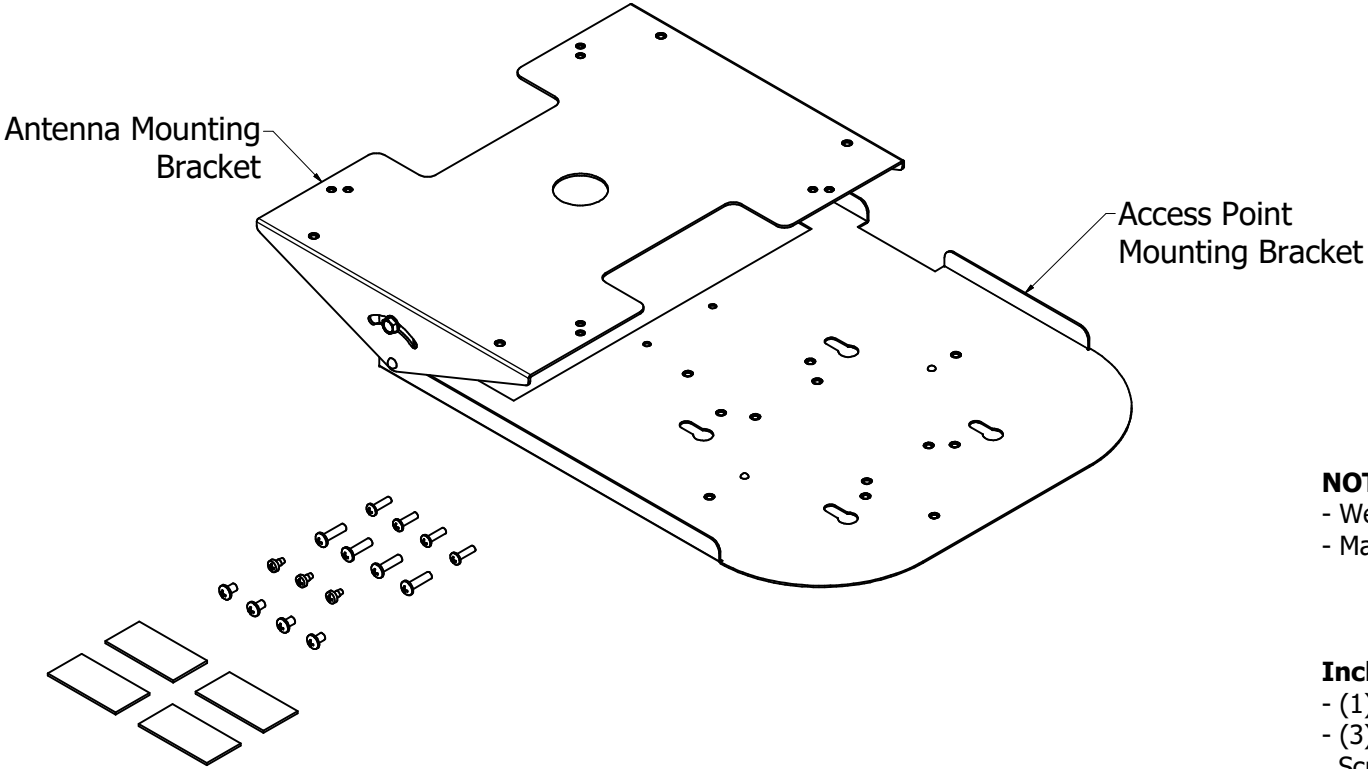


REVISION HISTORY				
ZONE	REV	DESCRIPTION	DATE	APPROVED
All	1	Released	10/11/2016	EAS
All	2	Updated Views, Notes, "Includes" List, Added Mounting Legend	6/5/2020	CAH
All	3	Updated "Includes" List	6/12/2020	CAH



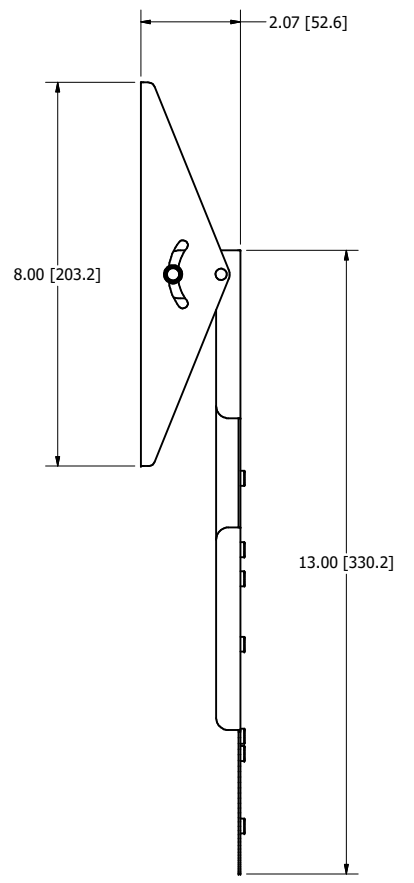
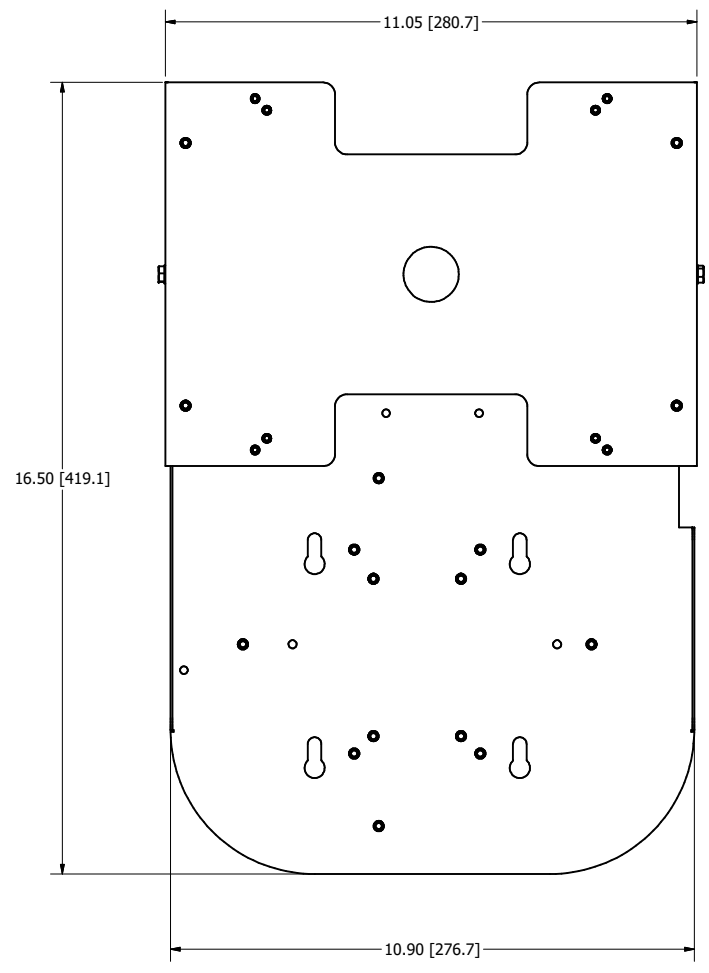
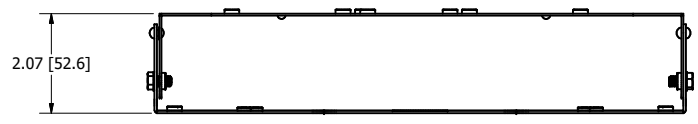
NOTE:

- Weight: 3 lbs.
- Material: 18 Ga. Galvanized Steel Antenna Mounting Bracket
- 20 Ga. Galvanized Steel Access Point Mounting Bracket

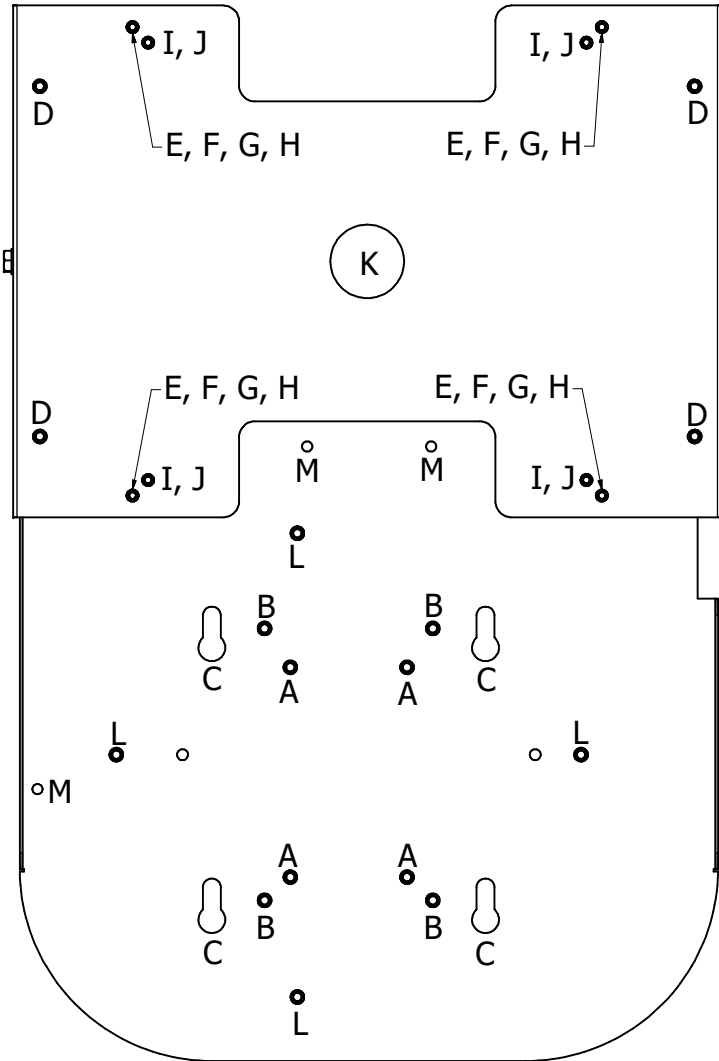
Includes:

- (1) Antenna and Access Point Mounting Bracket
- (3) #6 x 1/4 in. Pan Head Thread-Forming Screws for Plastic
- (4) #6 x 1/2 in. Pan Head Machine Screws
- (4) #8 x 1/4 in. Pan Head Machine Screws
- (4) #8 x 5/8 in. Pan Head Machine Screws
- (4) Press Fastener Tabs

DRAWN CAH	6/12/2020	Oberon, Inc. - 1315 S. Allen St. - State College, PA 16801		
CHECKED CAH	6/12/2020	TITLE		
QA		Model 39-1016-ANTPLATE		
MFG CAH	6/12/2020	SIZE C	DWG NO 39-1016-ANTPLATE	REV 3
APPROVED CAH	6/12/2020	SCALE	SHEET 1 OF 3	
TOLERANCE:		.0 = +/- .030 .00 = +/- .015 .000 = +/- .005		



DRAWN	6/12/2020	Oberon, Inc. - 1315 S. Allen St. - State College, PA 16801		
CHECKED	6/12/2020	TITLE		
CAH		Model 39-1016-ANTPLATE		
QA				
MFG	6/12/2020	SIZE	DWG NO	REV
CAH		C	39-1016-ANTPLATE	3
APPROVED	6/12/2020	SCALE	SHEET 2 OF 3	
CAH				
TOLERANCE:	.0 = +/- .030			
	.00 = +/- .015			
	.000 = +/- .005			



Mounting Legend

- A - Cisco AIR-AP-BRACKET-1
- B - Cisco AIR-AP-BRACKET-2
- C - Keyhole Slots for Mounting Cisco APs
- D - Cisco Antenna AIR-ANT2566P4W-R
- E - Aruba Networks Antenna AP-ANT-17
- F - Aruba Networks Antenna AP-ANT-18
- G - Aruba Networks Antenna AP-ANT-25
- H - Aruba Networks Antenna AP-ANT-35
- I - Aruba Networks Antenna AP-ANT-28
- J - Aruba Networks Antenna AP-ANT-38
- K - 1" Center Post Antennas
- L - T-Bar Mount
- M - Holes Used to Fasten Bracket to Enclosure Base

DRAWN CAH	6/12/2020	Oberon, Inc. - 1315 S. Allen St. - State College, PA 16801		
CHECKED CAH	6/12/2020	TITLE		
QA		Model 39-1016-ANTPLATE		
MFG CAH	6/12/2020	SIZE C	DWG NO 39-1016-ANTPLATE	REV 3
APPROVED CAH	6/12/2020	SCALE	SHEET 3 OF 3	
TOLERANCE:				
.0 = +/- .030				
.00 = +/- .015				
.000 = +/- .005				